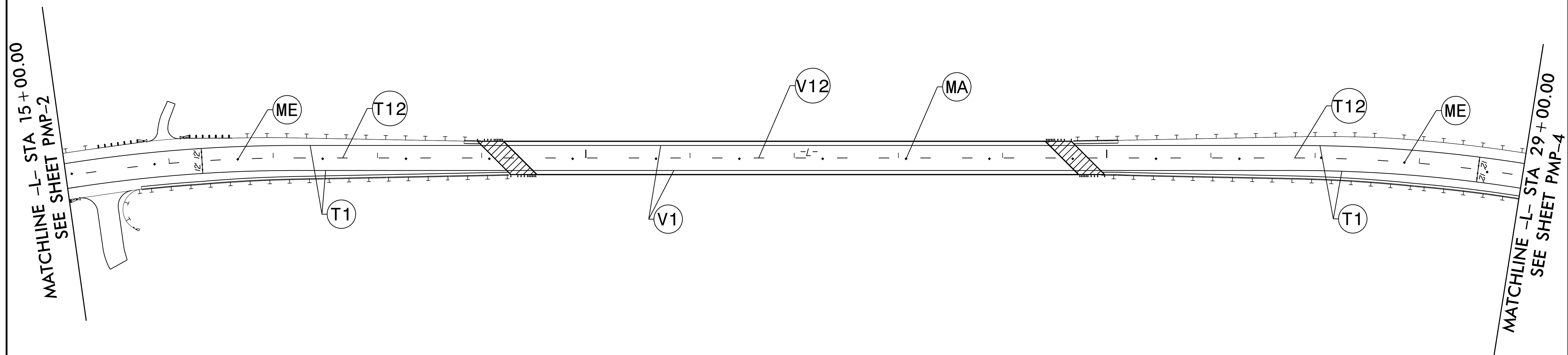
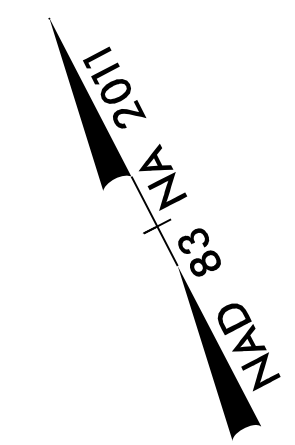


TIP NO. BR-0044	SHEET NO. PMP-3
DESIGNED BY: <i>Jeffrey A. Koozitz</i> APPROVED: <i>Jeffrey A. Koozitz</i> DATE: 3/3/2020	
DOCUMENT NOT CONSIDERED FINAL UNLESS ALL SIGNATURES COMPLETED	
AECOM <small>NC FIRM LICENSE No. F-0342 701 Corporate Center Drive, Suite 475 Raleigh, NC 27603 (919) 854-6200 • (919) 854-6259 FAX</small>	



**FINAL PAVEMENT
MARKING SCHEDULE**

SYMBOL	DESCRIPTION	SYMBOL	DESCRIPTION
	THERMOPLASTIC		MARKERS
T1	WHITE EDGELINE, (4", 90 MIL)	MA	PERMANENT RAISED / YELLOW & YELLOW
T12	10 FT. YELLOW SKIP, (4", 90 MIL)	ME	SNOWPLOWABLE / YELLOW & YELLOW
	POLYUREA		
V1	WHITE EDGELINE, (4")		
V12	YELLOW DOUBLE CENTERLINE (4")		

PAVEMENT MARKING DETAIL

3/3/2020
 \\usnsvf000\DATA\Projects\Projects\2\60571085 - BR-0044\900_CAD_GIS\910_CAD\70_NCD01_TIP\Traffic\BR-0044\TCP\BR0044_pmp_psh03.dgn
 radha.ctf@ur