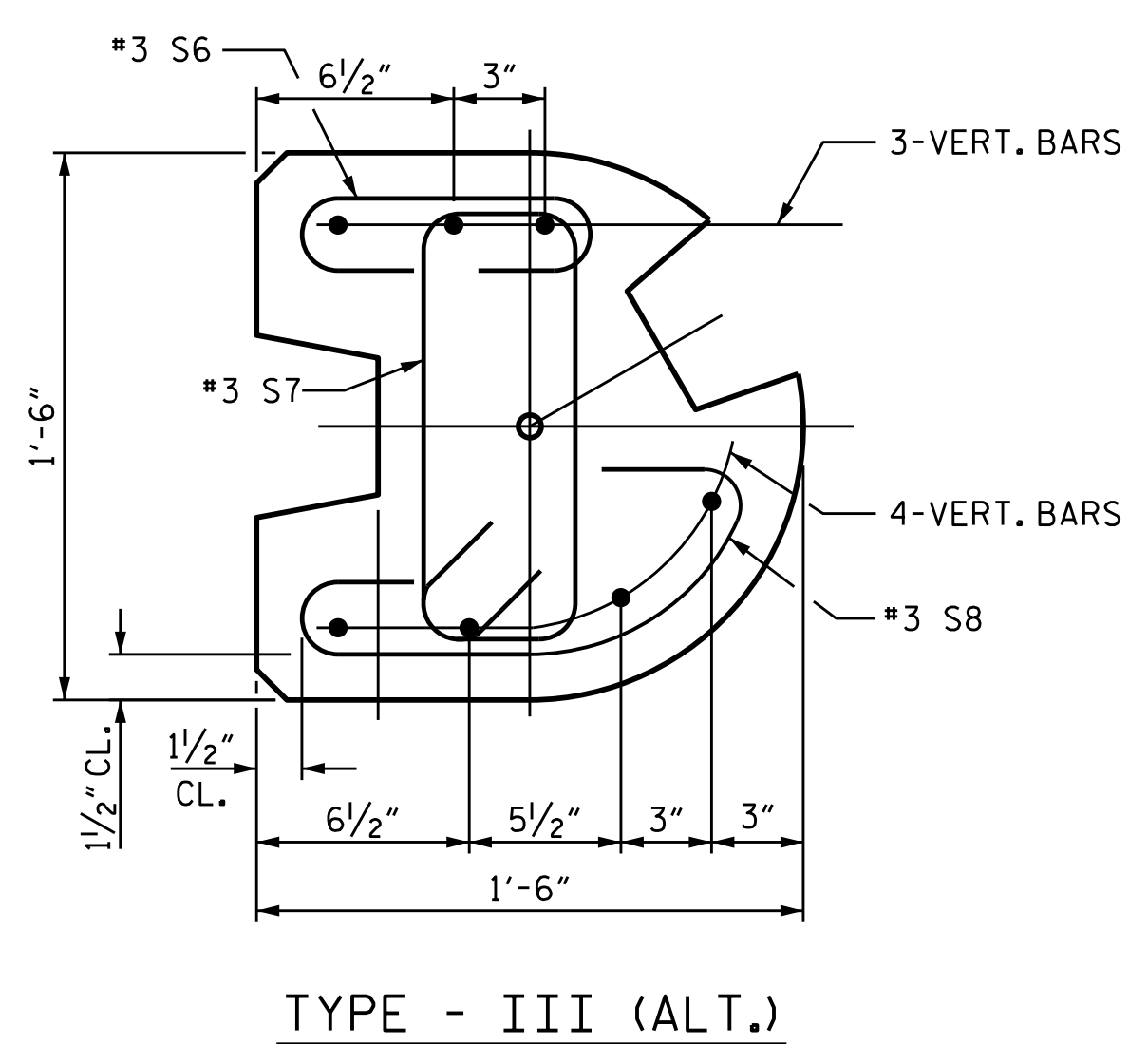
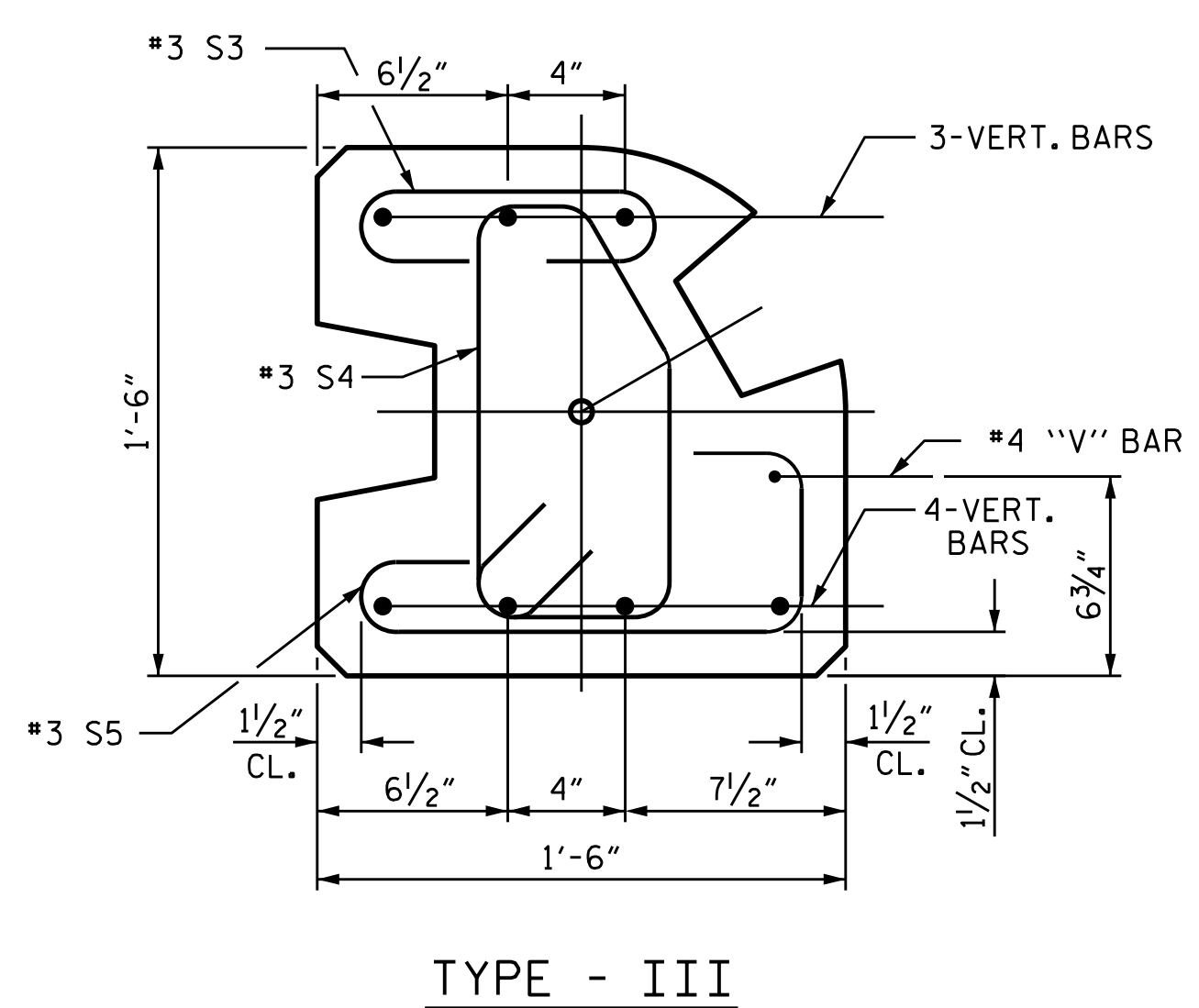
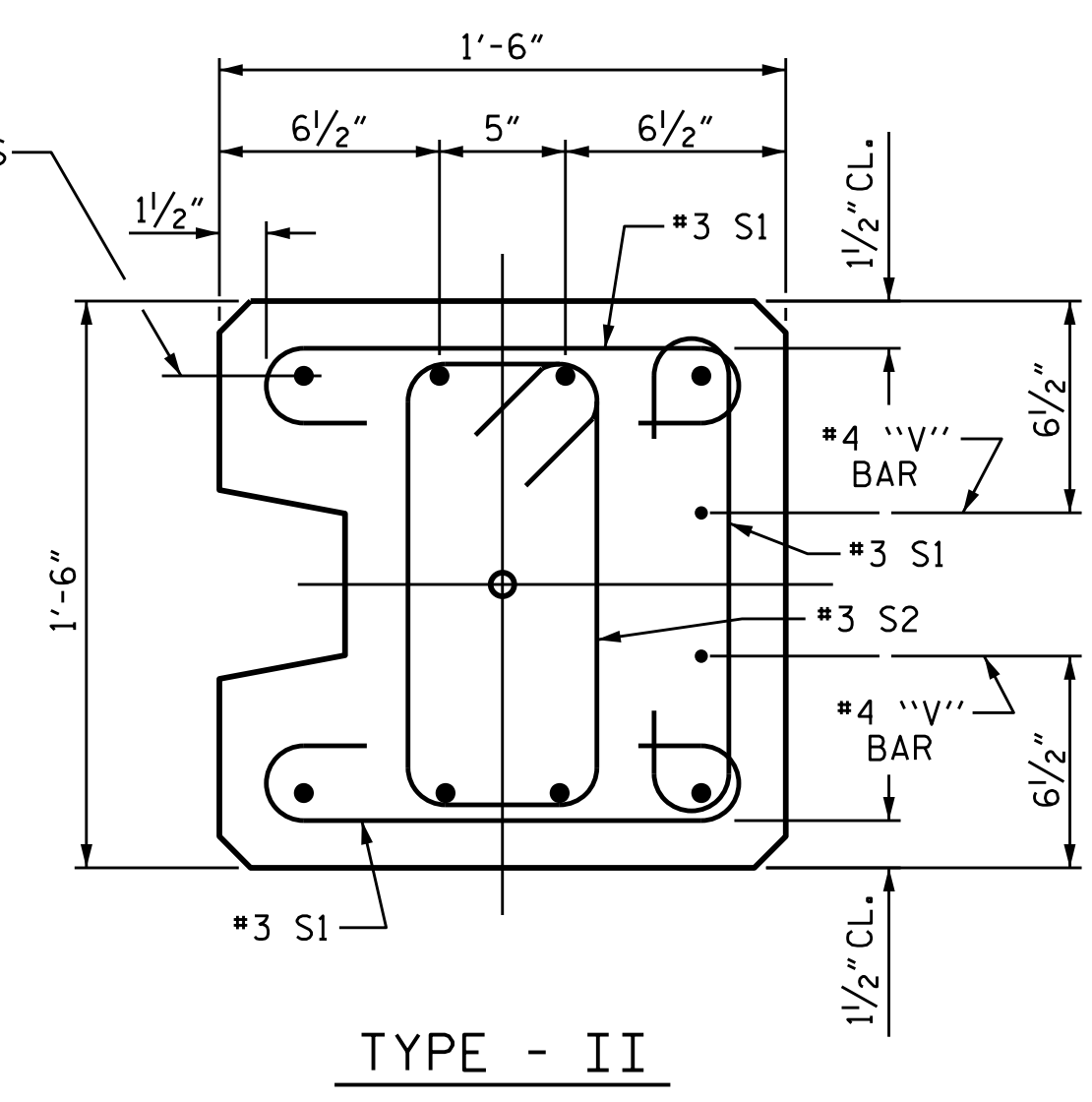
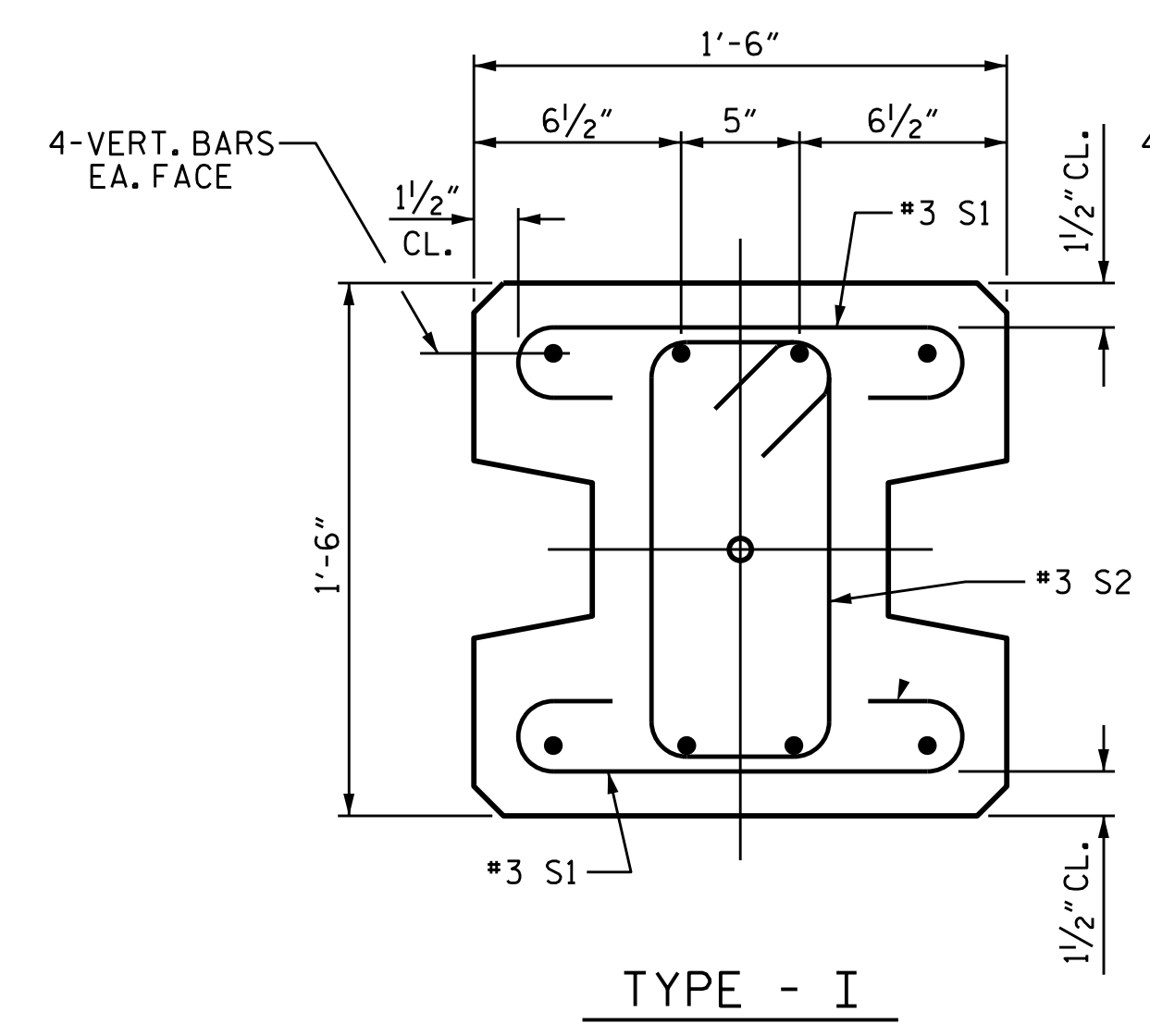
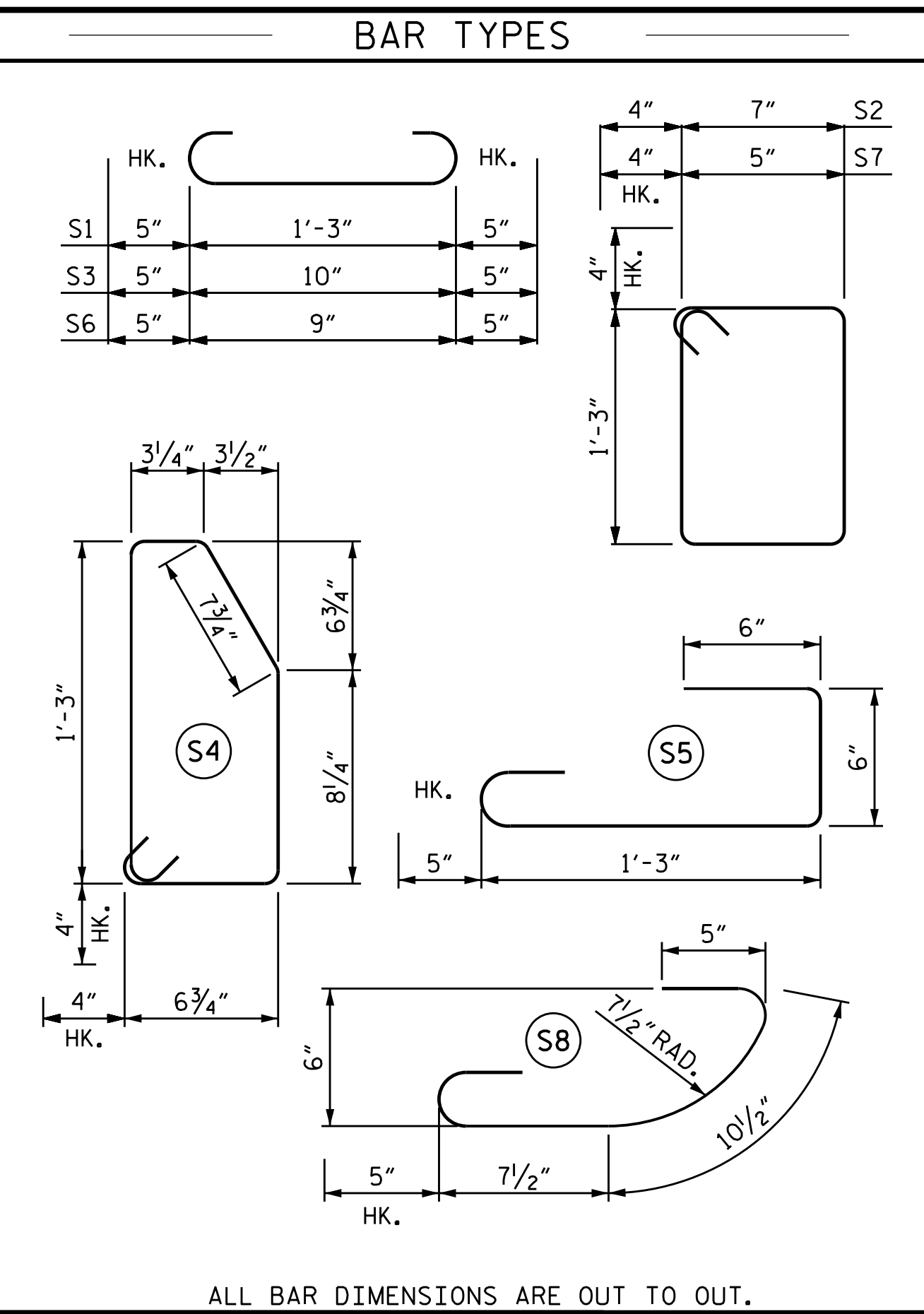


LENGTH	APPROX. PILE WT. TONS	ONE PICK-UP POINT		TWO PICK-UP POINT	
		0.300L	0.700L	0.207L	0.586L
10'-0"	1.56	3'-0"	7'-0"		
15'-0"	2.35	4'-6"	10'-6"		
20'-0"	3.14	6'-0"	14'-0"		
25'-0"	3.93	7'-6"	17'-6"		
30'-0"	4.70	9'-0"	21'-0"		
35'-0"	5.49	10'-6"	24'-6"		
40'-0"	6.28	12'-0"	28'-0"		
45'-0"	7.05	13'-6"	31'-6"		
50'-0"	7.84	15'-0"	35'-0"		
55'-0"	8.63			11'-4 1/2"	32'-3"
60'-0"	9.42			12'-5"	35'-2"



**NOTES**

CONCRETE DESIGN DATA : f'c = 5,000 PSI

PROPOSED DEVICES FOR LIFTING PILES, RECESS DETAILS, AND PATCHING MATERIAL SHALL BE DETAILED IN SHOP DRAWINGS. AFTER ATTACHMENTS HAVE BEEN REMOVED, OPENINGS SHALL BE REPAIRED SUCH THAT THE APPEARANCE OF THE PILE IS UNIFORM.

WHERE CAST-IN-PLACE LIFTING DEVICES ARE NOT USED, PICK-UP POINTS TO BE INDICATED WITH A BLACK MARK 2" WIDE.

THE SLIP-FORM METHOD OF CASTING PILES WILL NOT BE PERMITTED.

ALL CORNERS TO BE CHAMFERED 1".

PROJECT NO. I-5987B  
ROBESON COUNTY  
 STATION: 10+30.00 -NW19-  
 SHEET 4 OF 4

ASSEMBLED BY : STM DATE : 03/22  
 CHECKED BY : MGC DATE : 03/22  
 DRAWN BY : MAA 6/11 REV. 1/15/14 RWW/TMG  
 CHECKED BY : GM 6/11 REV. 12/17 MAA/THC

STATE OF NORTH CAROLINA  
 DEPARTMENT OF TRANSPORTATION  
 RALEIGH

STANDARD  
 SOUND BARRIER WALL  
 -NW19-  
 DETAILS

3/15/2022  
 X:\NCDOT\I-5987B\Structures\Noise Wall\DCN\I-5987B Noise Wall.SMU.STM.dgn  
 User:smassinapple

4/12/2022 | 10:20 AM EDT

DOCUMENT NOT CONSIDERED FINAL  
 UNLESS ALL SIGNATURES COMPLETED

TGS ENGINEERS  
 706 HILLSBOROUGH STREET  
 SUITE 200  
 RALEIGH, NC 27603  
 PH (919) 773-8887  
 CORP. LICENSE NO.: C-0275

REVISIONS						SHEET NO.
NO.	BY:	DATE:	NO.	BY:	DATE:	W19-4
1			3			TOTAL SHEETS 4
2			4			

FOR VERTICAL BAR PILE REINFORCING, SEE SHEET 2 OF 4

STD. NO. SBW3