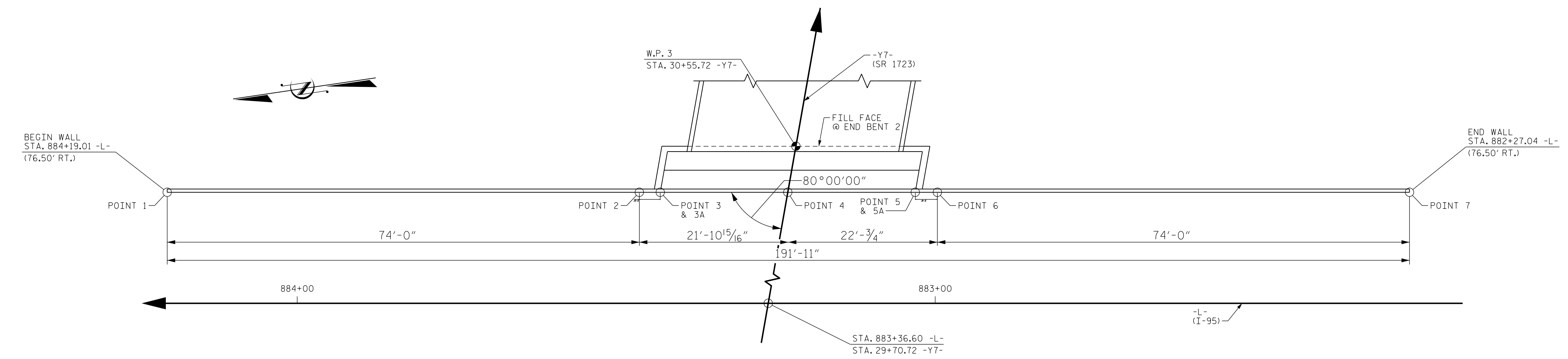
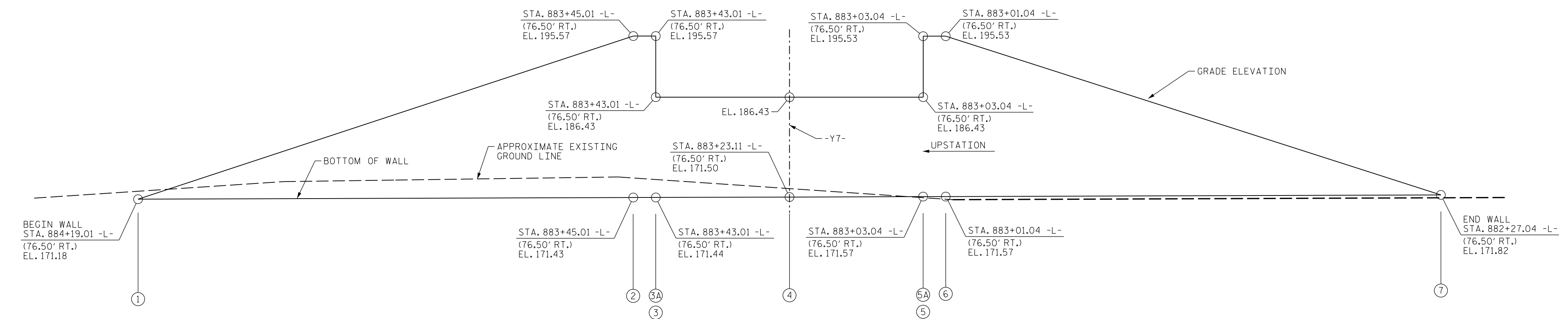


GEOTECHNICAL ENGINEER  
 ENGINEER  
 NORTH CAROLINA PROFESSIONAL SEAL 048207  
 ENGINEER  
 STEPHEN C. CROCKETT  
 Documented by: Stephen C. Crockett 04/12/2022  
 DATE SIGNATURE DATE  
**DOCUMENT NOT CONSIDERED FINAL UNLESS ALL SIGNATURES COMPLETED**



ESTIMATED MSE WALL QUANTITIES (SQUARE FEET)	
MSE RETAINING WALL NO. W8B	2,950 SF

RETAINING WALL NO. W8B PLAN - END BENT 2 MSE WALL



RETAINING WALL NO. W8B ENVELOPE - END BENT 2 MSE WALL

DIMENSIONS OF WALL TAKEN ALONG FRONT FACE OF MSE WALL FACING UPSTATION ON -Y7-

PROJECT NO.: I-5987B  
 ROBESON COUNTY  
 STATION: 29+70.72 -Y7-  
 SHEET 10 OF 19 WALL ID W8B

PREPARED BY: S. CROCKETT DATE: 3/29/22  
 REVIEWED BY: J. HAMM DATE: 3/29/22

FALCON ENGINEERING, INC.  
 1210 TRINITY ROAD, SUITE 110  
 CARY, NC 27513  
 PHONE: 919.871.0800  
 www.falconengineers.com

NORTH CAROLINA  
 DEPARTMENT OF TRANSPORTATION  
 DIVISION OF HIGHWAYS  
**GEOTECHNICAL ENGINEERING UNIT**

REVISIONS						SHEET NO.
NO.	BY	DATE	NO.	BY	DATE	
1			3			W-10
2			4			