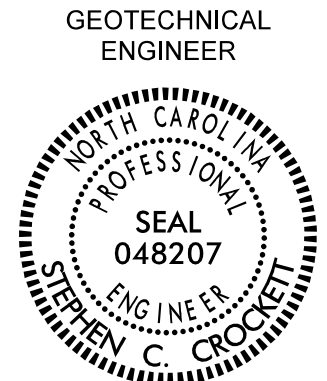
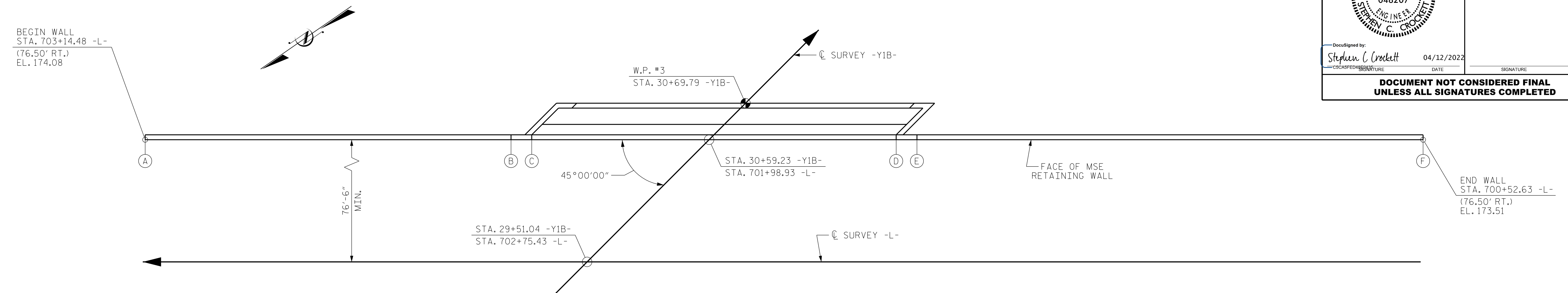
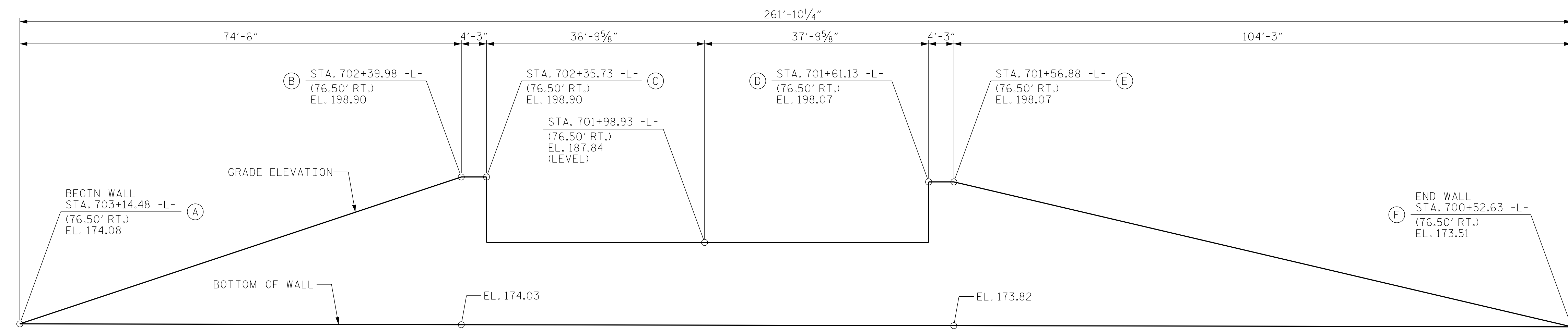


GEOTECHNICAL ENGINEER
 ENGINEER

 Documented by: Stephen C. Crockett DATE: 04/12/2022
 SIGNATURE DATE SIGNATURE DATE
DOCUMENT NOT CONSIDERED FINAL UNLESS ALL SIGNATURES COMPLETED



ESTIMATED MSE WALL QUANTITIES (SQUARE FEET)	
MSE RETAINING WALL NO. W6B	3,975 SF

RETAINING WALL NO. W6B PLAN - END BENT 2 MSE WALL

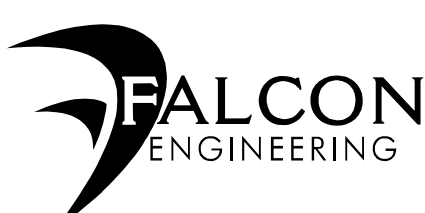


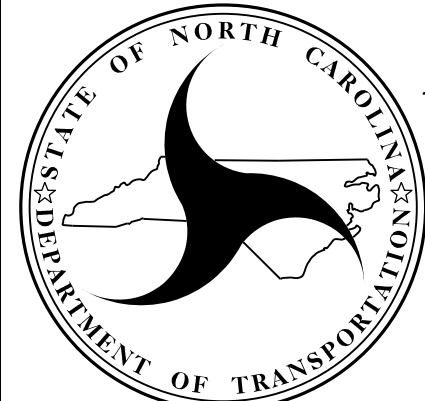
RETAINING WALL NO. W6B ENVELOPE - END BENT 2 MSE WALL

DIMENSIONS OF WALL TAKEN ALONG FRONT FACE OF MSE WALL FACING UPSTATION ON -Y1B-

PROJECT NO.: I-5987B
 ROBESON COUNTY
 STATION: 29+51.04 -Y1B-
 SHEET 6 OF 19 WALL ID W6B

PREPARED BY: S. CROCKETT	DATE: 3/29/22
REVIEWED BY: J. HAMM	DATE: 3/29/22


 FALCON ENGINEERING, INC.
 1210 TRINITY ROAD, SUITE 110
 CARY, NC 27513
 PHONE: 919.871.0800
 www.falconengineers.com


 NORTH CAROLINA
 DEPARTMENT OF TRANSPORTATION
 DIVISION OF HIGHWAYS
GEOTECHNICAL ENGINEERING UNIT

REVISIONS						SHEET NO. W-6
NO.	BY	DATE	NO.	BY	DATE	
1			3			
2			4			