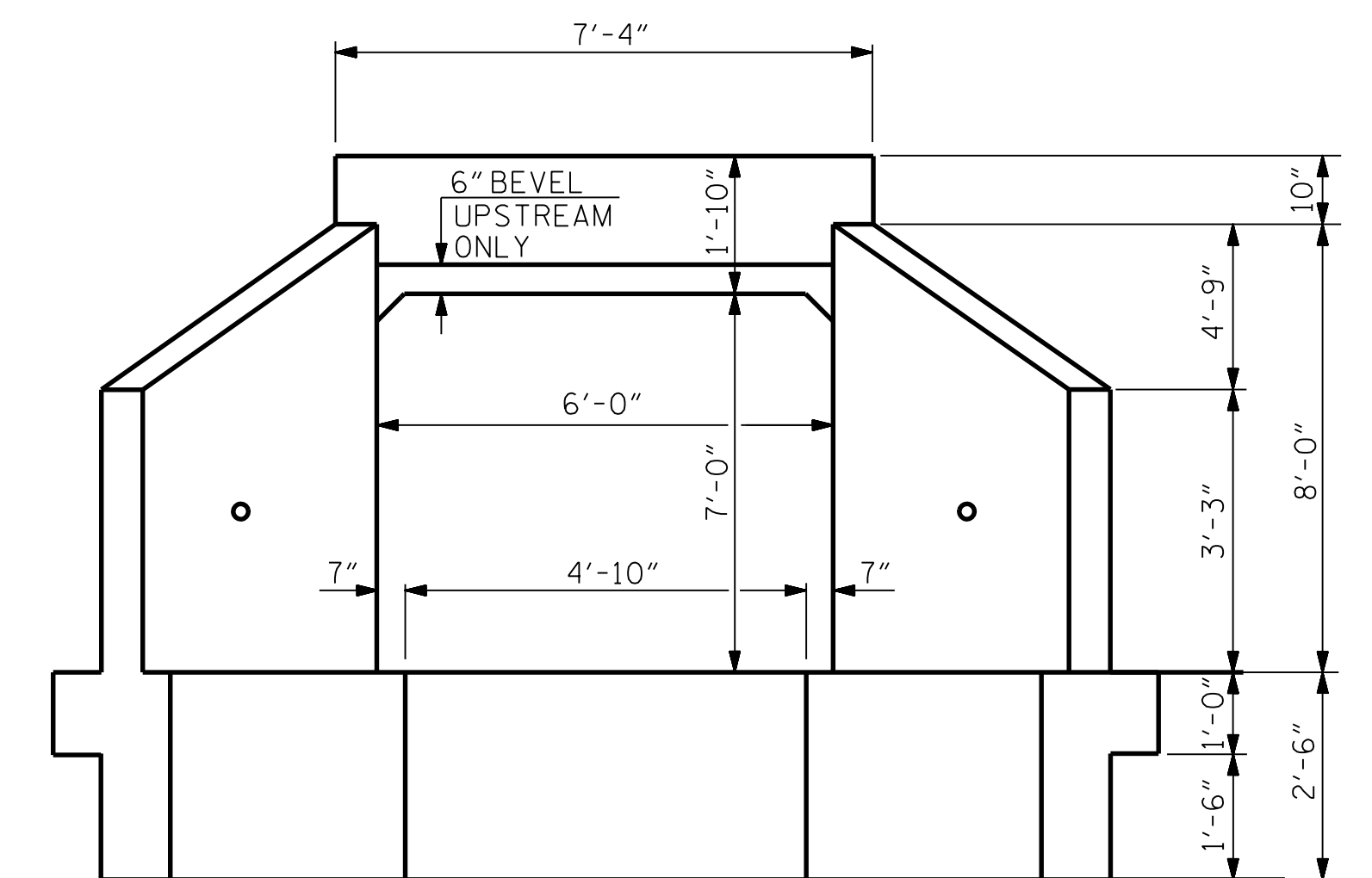
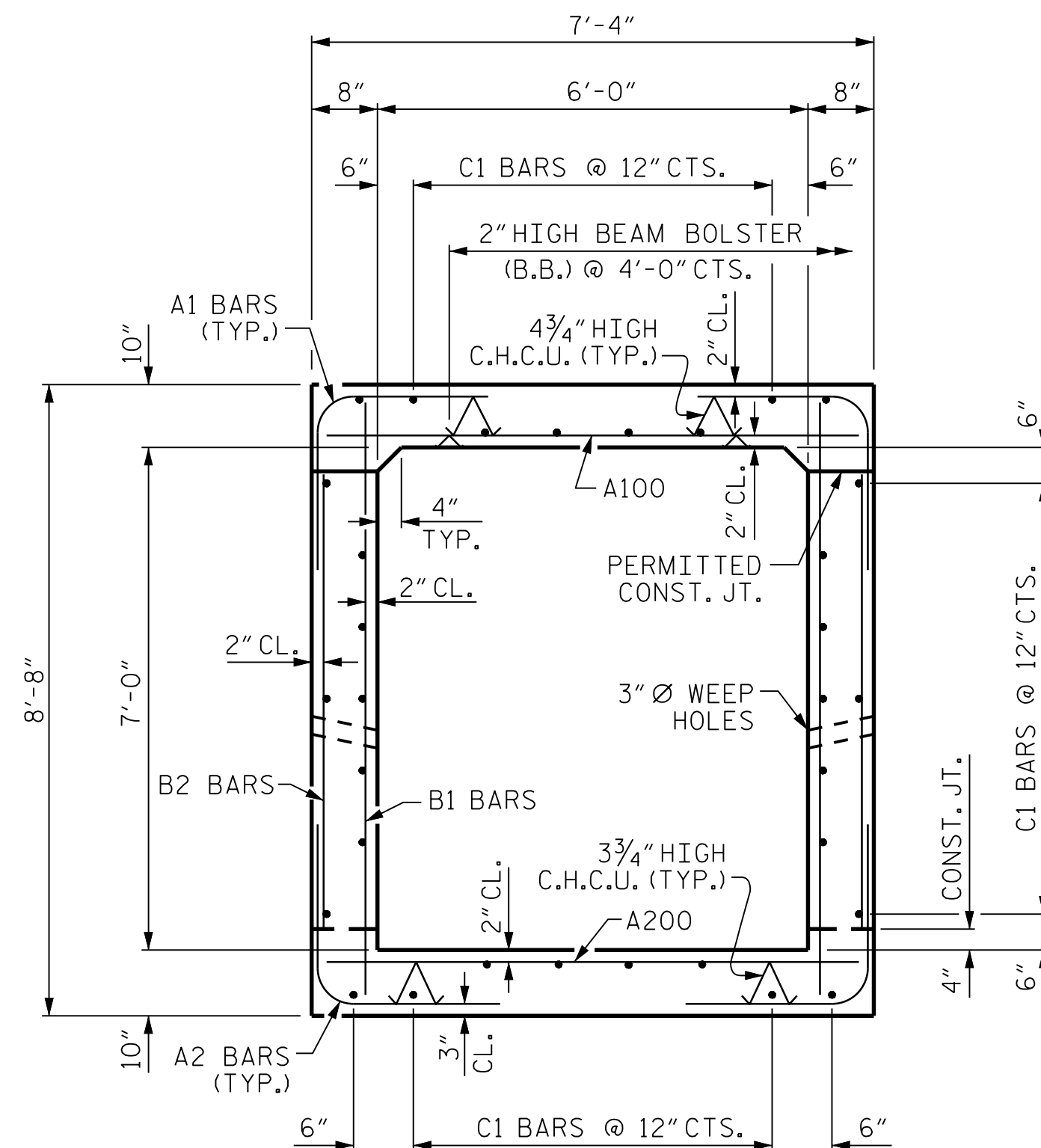


CULVERT SECTION NORMAL TO ROADWAY



END ELEVATION



RIGHT ANGLE SECTION OF BARREL
THERE ARE 32 C1 BARS IN SECTION OF BARREL

PROJECT NO. I-5987B
ROBESON COUNTY
STATION: 23+47.75-Y6-POC

SHEET 2 OF 5

STATE OF NORTH CAROLINA
DEPARTMENT OF TRANSPORTATION
RALEIGH
BARREL STANDARD

**SINGLE 6 FT. X 7 FT.
CONCRETE BOX CULVERT**

DOCUMENT NOT CONSIDERED
FINAL UNLESS ALL
SIGNATURES COMPLETED

CDM Smith
CDM SMITH
5400 Glenwood Ave, Suite 400
Raleigh, NC 27612-3228
NC COA No. F-1255



DWG. No. _____
DRAWN BY: JJR DATE: 4/21
CHECKED BY: THF DATE: 5/21
DESIGN ENGINEER: VDK DATE: 6/21

REVISIONS

NO.	BY:	DATE:	NO.	BY:	DATE:
1			3		
2			4		

SHEET NO.
C17-2
TOTAL SHEETS
5