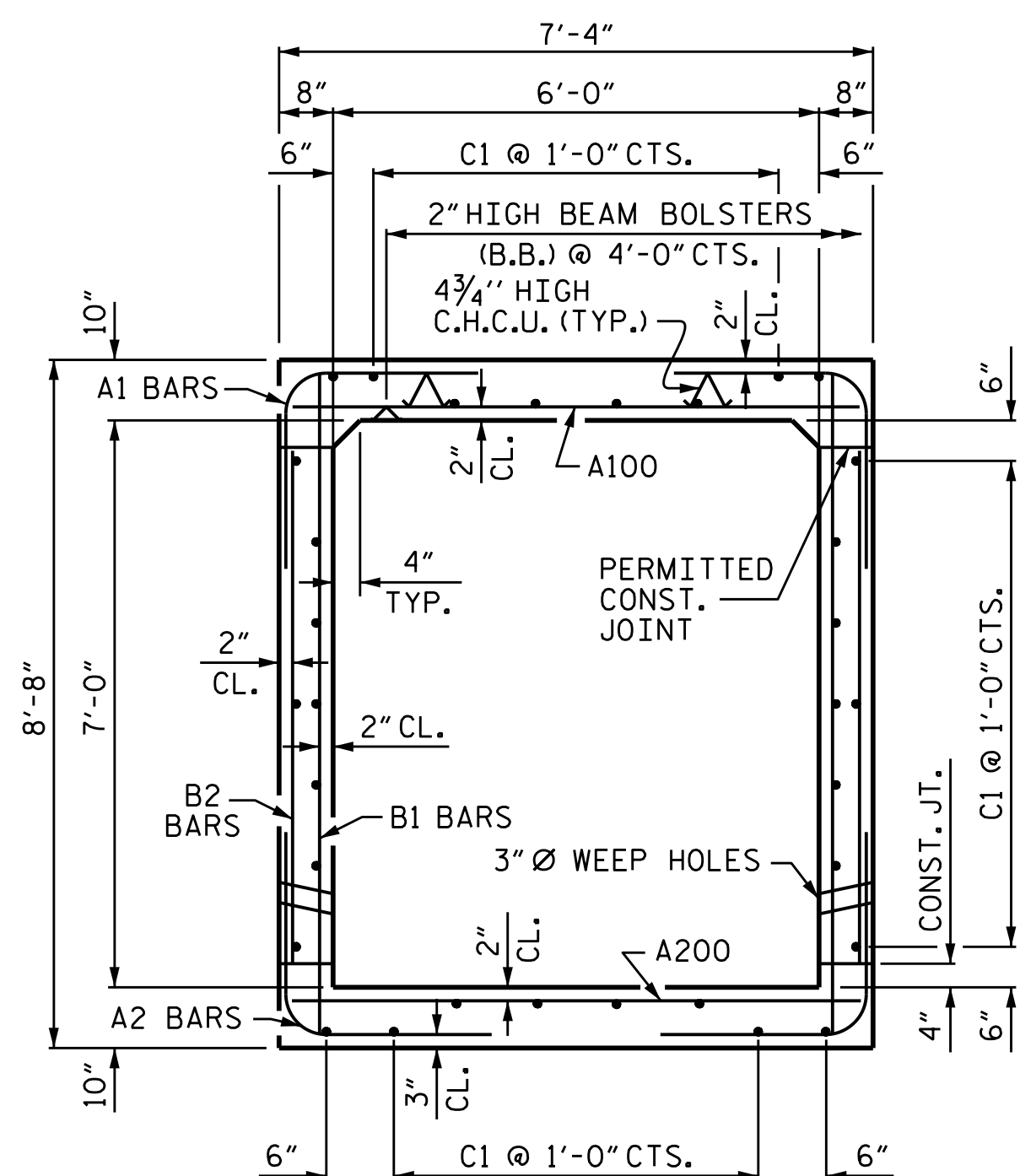
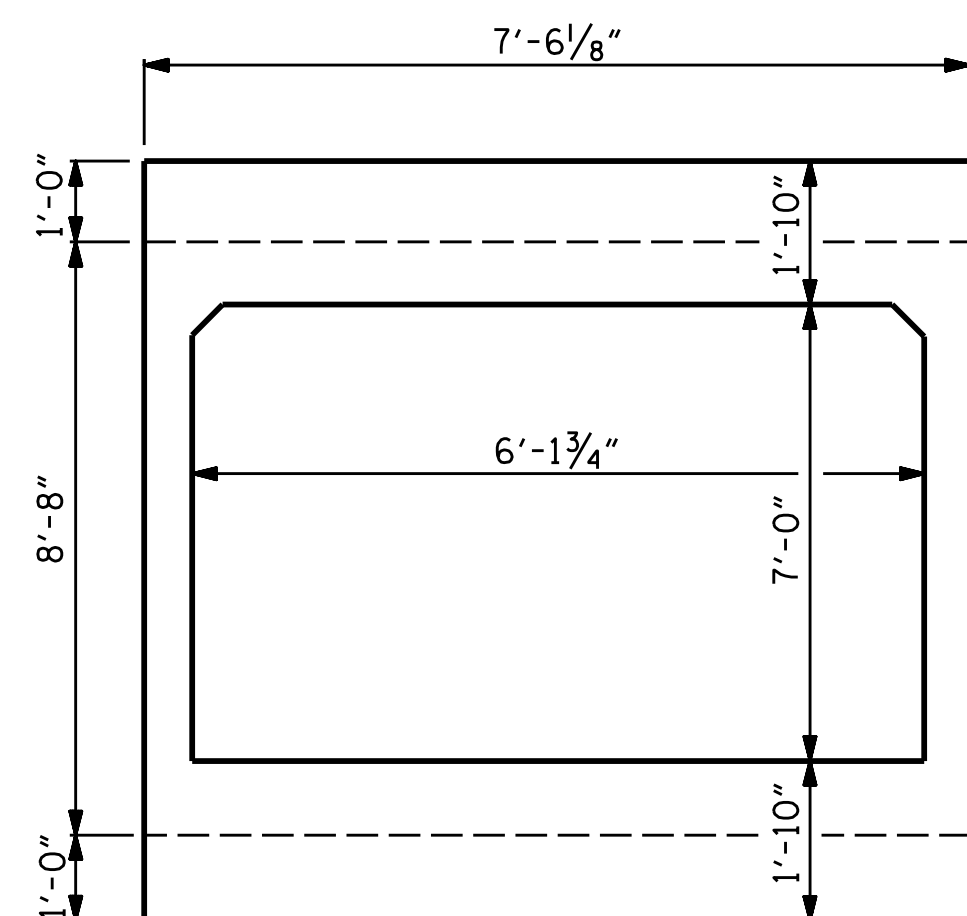


CULVERT SECTION NORMAL TO ROADWAY

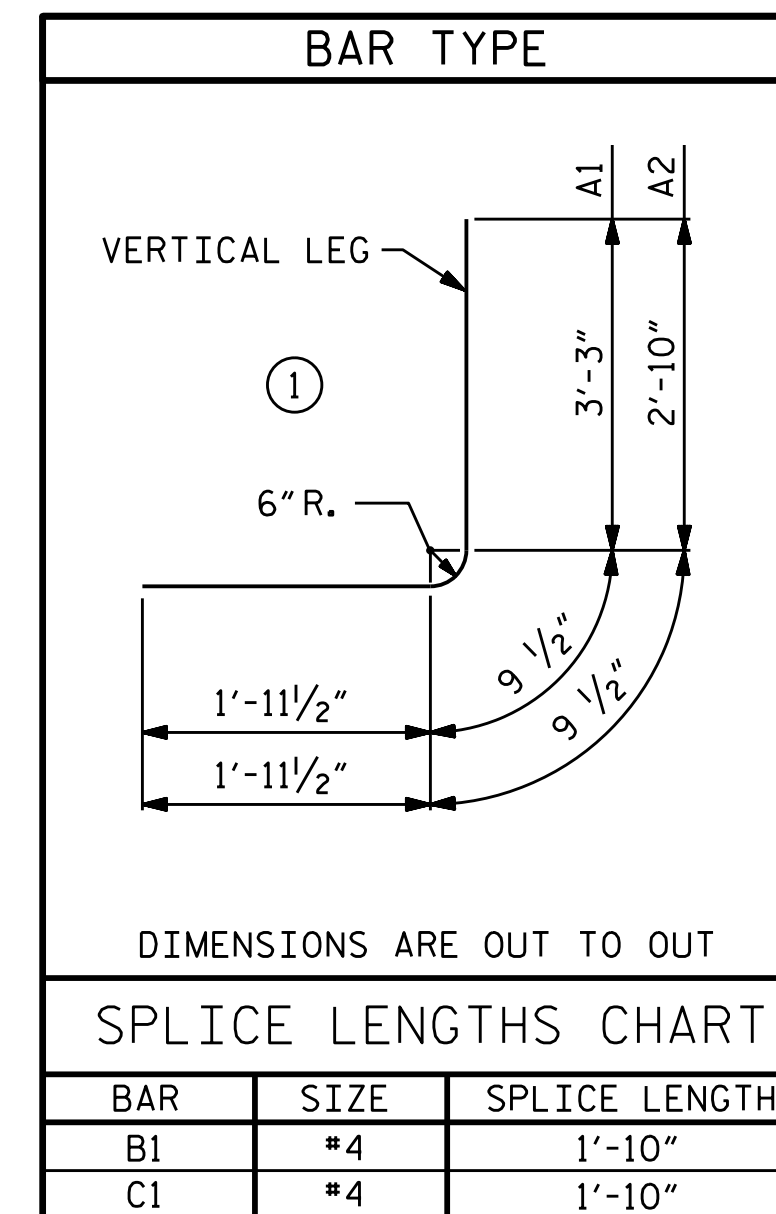


RIGHT ANGLE SECTION OF BARREL

THERE ARE 32 C1 IN SECTION OF BARREL



END ELEVATION

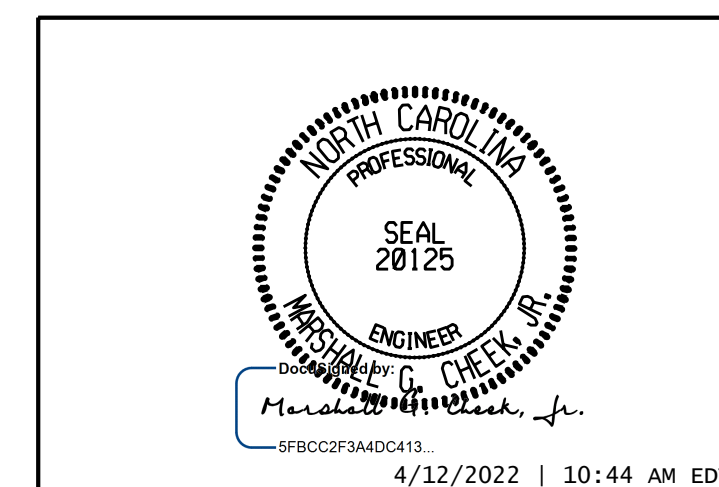


STAGE 2 BAR SCHEDULE						
BAR NO.	NO.	SIZE	TYPE	LENGTH	WEIGHT	
A100	159	#4	STR	6'-11"	735	
A101	2	#4	STR	5'-3"	7	
A102	2	#4	STR	3'-0"	4	
A200	106	#5	STR	6'-11"	765	
A201	2	#5	STR	4'-6"	9	
A1	162	#5	1	6'-0"	1014	
A2	162	#5	1	5'-7"	943	
B1	108	#5	STR	8'-1"	911	
B2	162	#4	STR	6'-4"	685	
C1	96	#4	STR	28'-1"	1801	
S2	12	#8	STR	7'-2"	230	
REINFORCING STEEL					7,104	LBS

STAGE 2 QUANTITIES	
CLASS A CONCRETE	
BARREL @ 0.802 CY/FT	64.9 C.Y.
EDGE BEAMS	1.1 C.Y.
TOTAL	66.0 C.Y.
REINFORCING STEEL	
BARREL	7,104 LBS.
TOTAL	7,104 LBS.
CULVERT EXCAVATION	LUMP SUM
FOUNDATION COND. MAT'L.	65 TONS
FOUNDATION COND. GEOTEXTILE	225 S.Y.

PROJECT NO. I-5987B
ROBESON COUNTY
 STATION: 708+48.43 -L-

SHEET 12 OF 20



STATE OF NORTH CAROLINA
 DEPARTMENT OF TRANSPORTATION
 RALEIGH
 SINGLE 6 FT. X 7 FT.
 CONCRETE BOX CULVERT
 STAGE 2

DRAWN BY : STM DATE : 10/21
 CHECKED BY : MGC DATE : 03/22
 DESIGN ENGINEER OF RECORD: STM DATE : 03/22

DOCUMENT NOT CONSIDERED FINAL
 UNLESS ALL SIGNATURES COMPLETED
 TGS ENGINEERS
 706 HILLSBOROUGH STREET
 SUITE 200
 RALEIGH, NC 27603
 PH (919) 773-8887
 CORP. LICENSE NO.: C-0275

REVISIONS						SHEET NO.
NO.	BY:	DATE:	NO.	BY:	DATE:	C16-12
1			3			TOTAL SHEETS
2			4			20