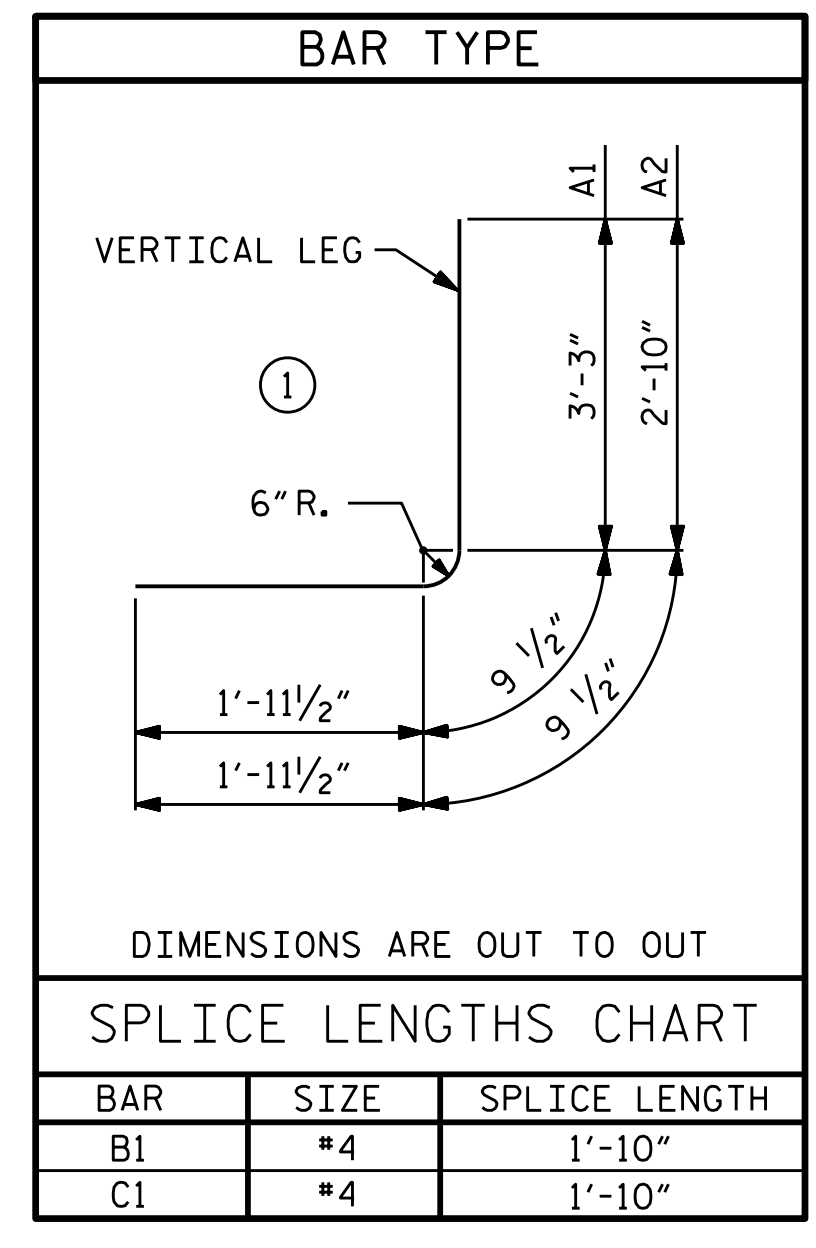


**CULVERT SECTION NORMAL TO ROADWAY**

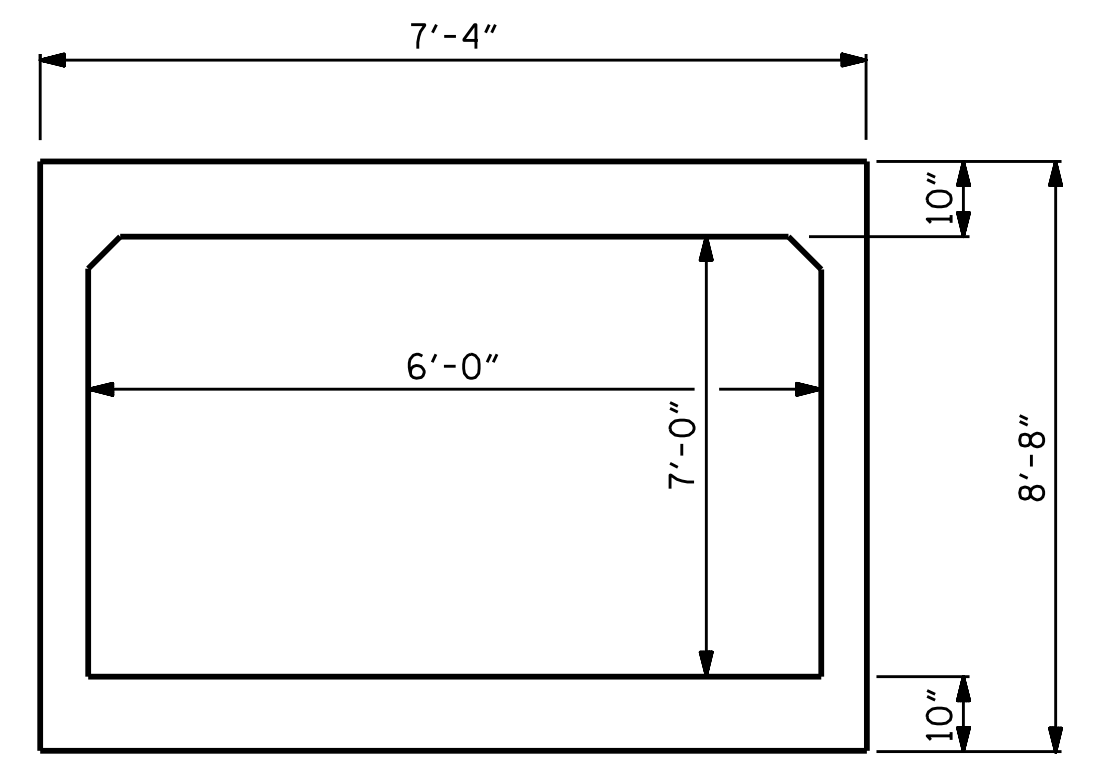


**STAGE 1 (LEFT) BAR SCHEDULE**

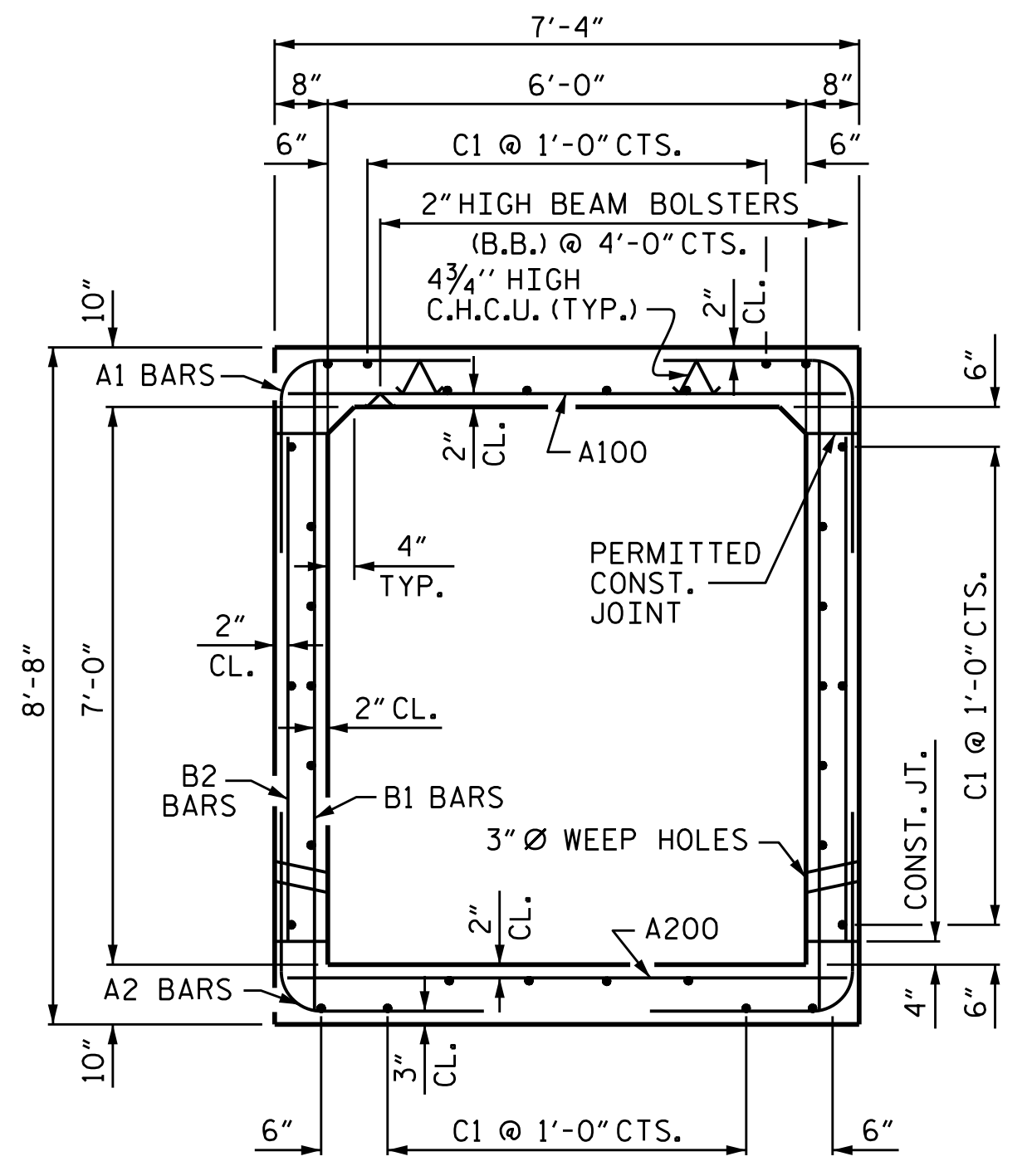
BAR	NO.	SIZE	TYPE	LENGTH	WEIGHT
A100	179	#4	STR	6'-11"	827
A200	119	#5	STR	6'-11"	858
A1	180	#5	1	6'-0"	1126
A2	180	#5	1	5'-7"	1048
B1	120	#5	STR	8'-1"	1012
B2	180	#4	STR	6'-4"	762
C1	96	#4	STR	31'-0"	1988
G1	4	#5	STR	6'-11"	29
S2	6	#8	STR	6'-11"	111
REINFORCING STEEL					7,761 LBS

**STAGE 1 (LEFT) QUANTITIES**

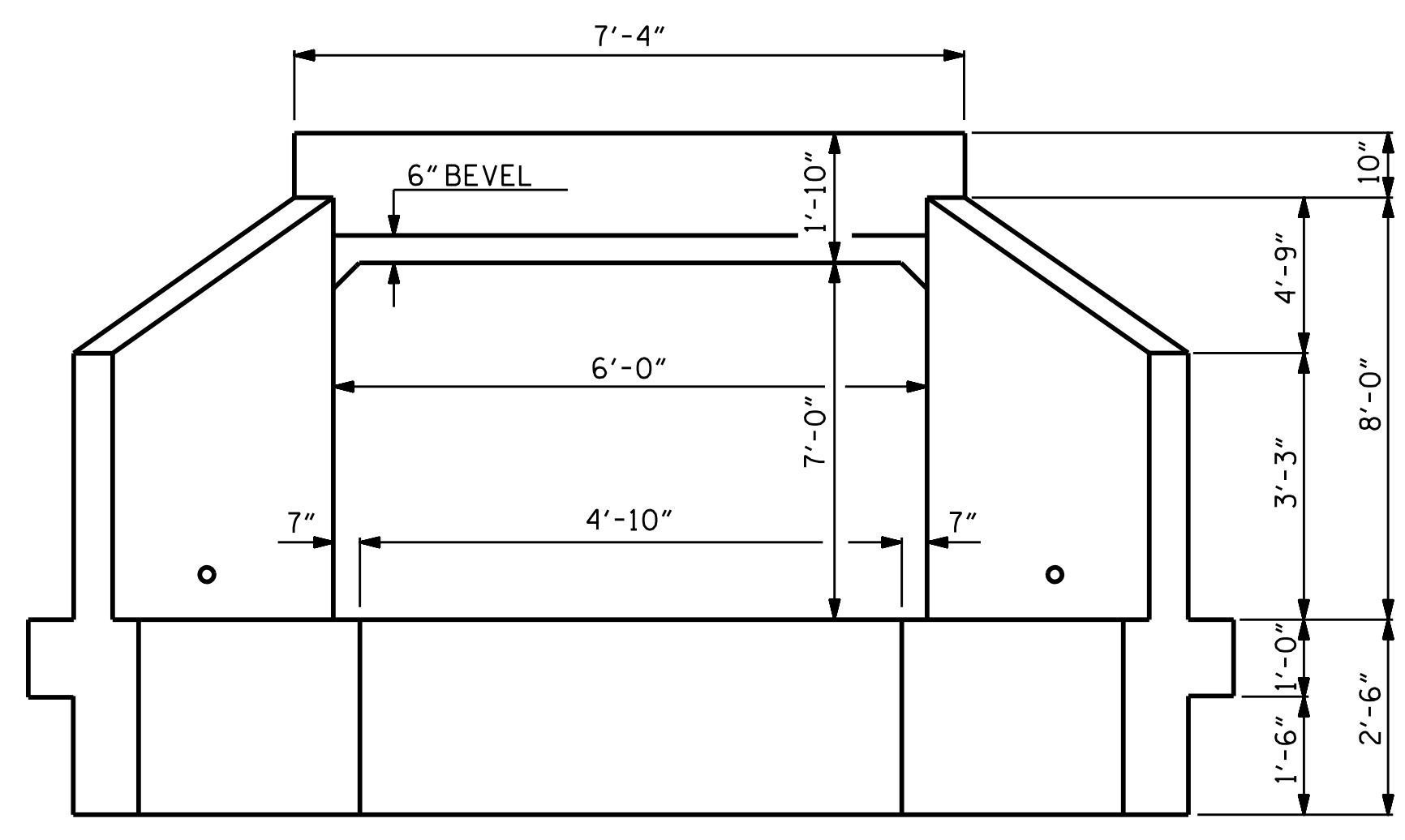
CLASS A CONCRETE	
BARREL @ 0.802 CY/FT	71.8 C.Y.
WINGS, ETC.	13.8 C.Y.
TOTAL	85.6 C.Y.
REINFORCING STEEL	
BARREL	7,761 LBS.
WINGS	849 LBS.
TOTAL	8,610 LBS.
CULVERT EXCAVATION	LUMP SUM
FOUNDATION COND. MAT'L.	72 TONS
FOUNDATION COND. GEOTEXTILE	245 S.Y.



**RIGHT END ELEVATION**

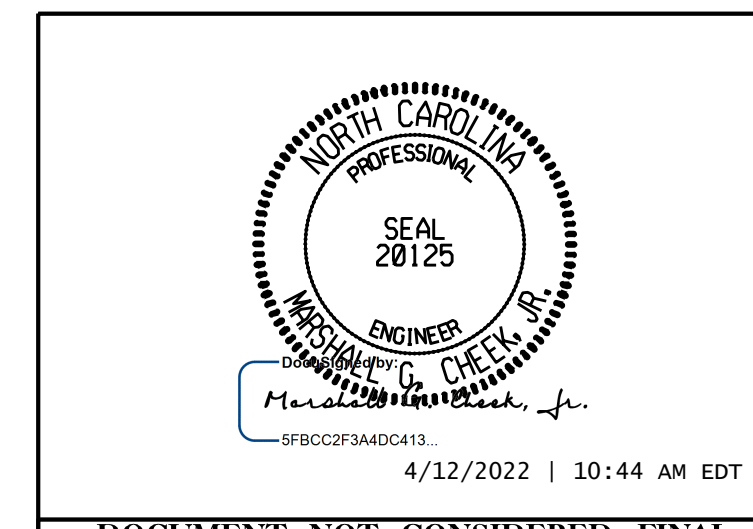


**RIGHT ANGLE SECTION OF BARREL**  
THERE ARE 32 C1 IN SECTION OF BARREL



**INLET END ELEVATION**

PROJECT NO. I-5987B  
ROBESON COUNTY  
 STATION: 708+48.43 -L-  
 SHEET 4 OF 20



STATE OF NORTH CAROLINA  
 DEPARTMENT OF TRANSPORTATION  
 RALEIGH  
 SINGLE 6 FT. X 7 FT.  
 CONCRETE BOX CULVERT  
 STAGE 1 (LEFT)

DRAWN BY: STM DATE: 09/21  
 CHECKED BY: MGC DATE: 03/22  
 DESIGN ENGINEER OF RECORD: STM DATE: 03/22

DOCUMENT NOT CONSIDERED FINAL  
 UNLESS ALL SIGNATURES COMPLETED  
 TGS ENGINEERS  
 706 HILLSBOROUGH STREET  
 SUITE 200  
 RALEIGH, NC 27603  
 PH (919) 773-8887  
 CORP. LICENSE NO.: C-0275

REVISIONS						SHEET NO.
NO.	BY:	DATE:	NO.	BY:	DATE:	C16-4
1			3			TOTAL SHEETS
2			4			20