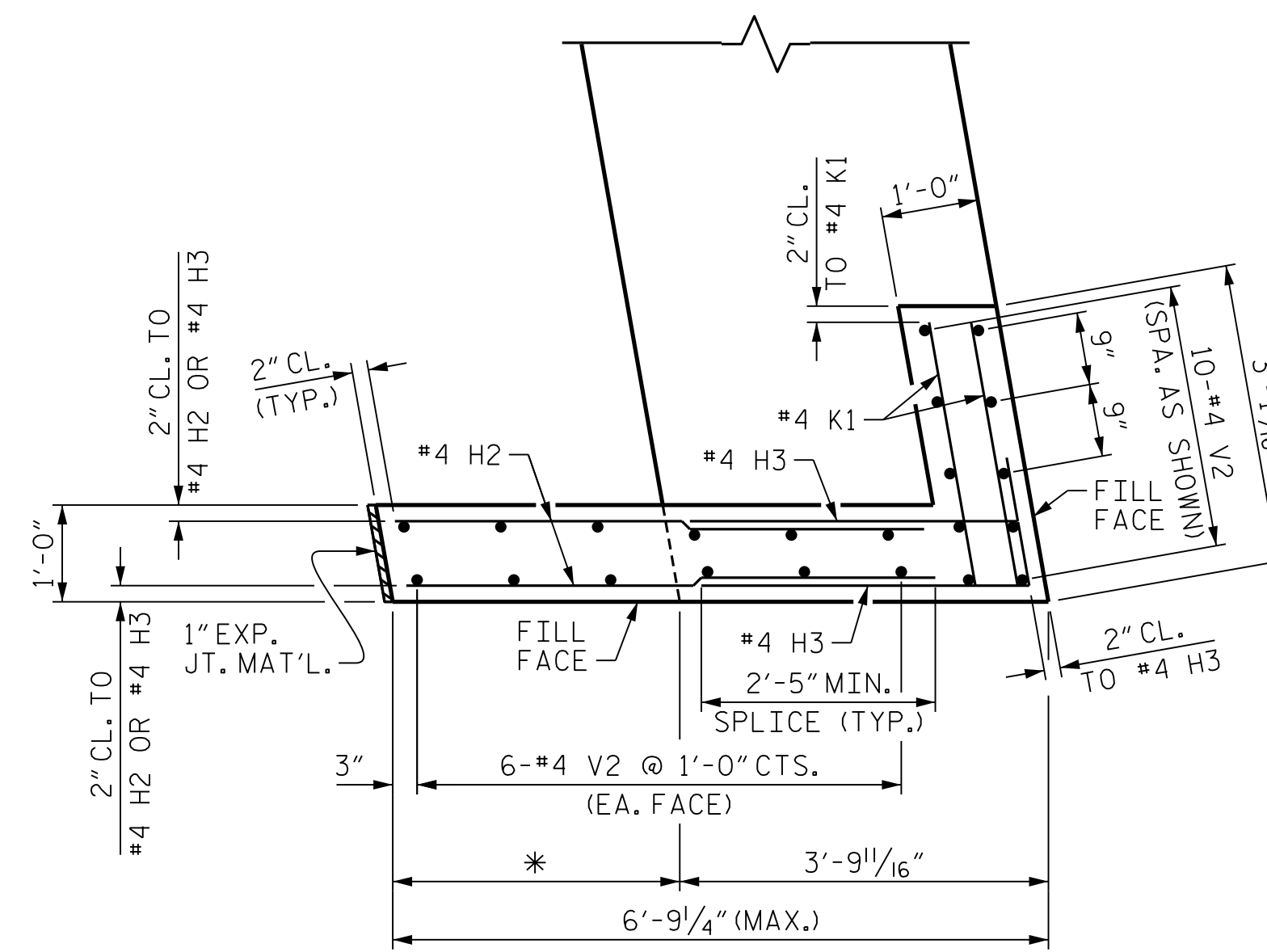
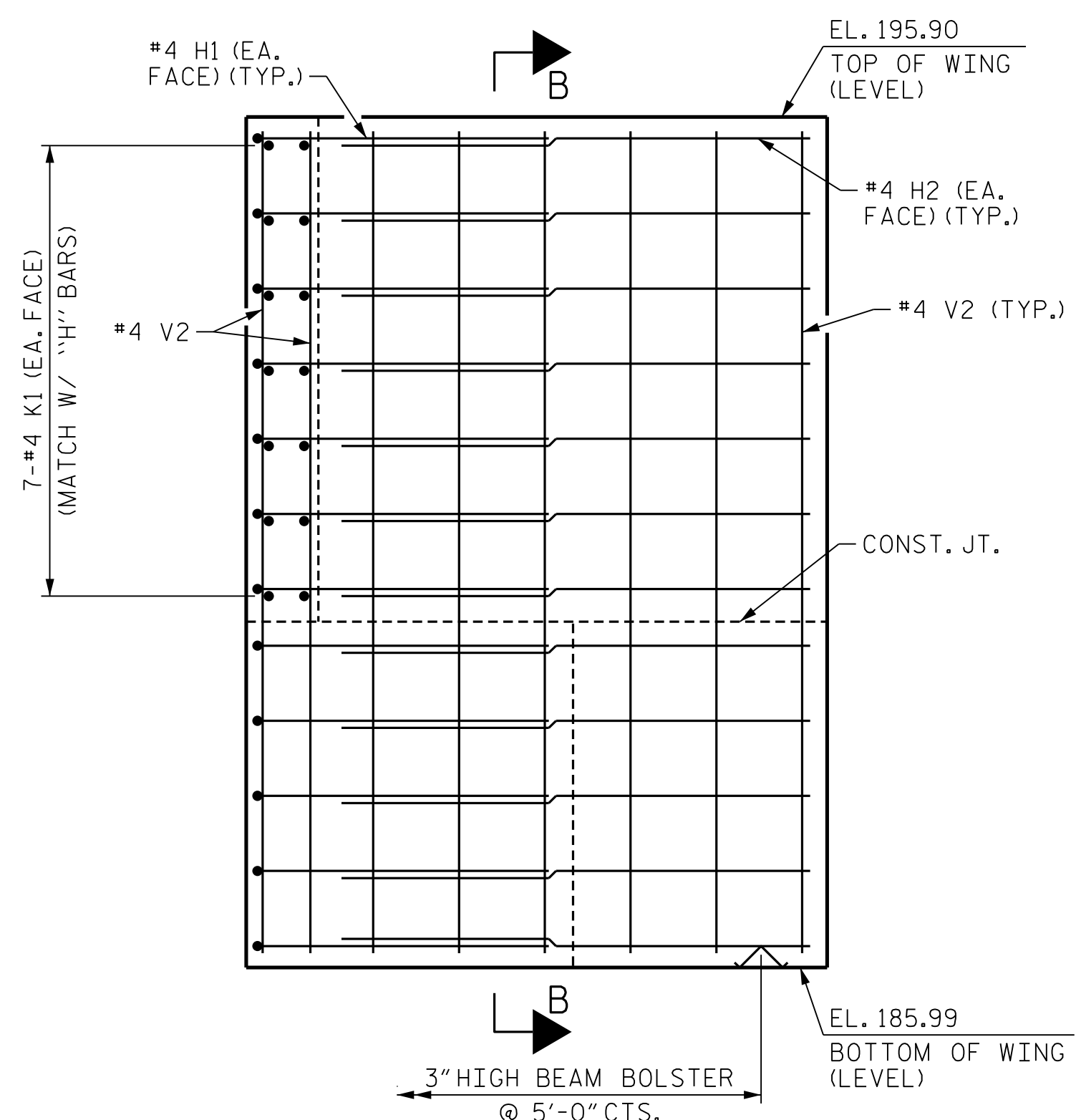


PLAN OF WING (W1)

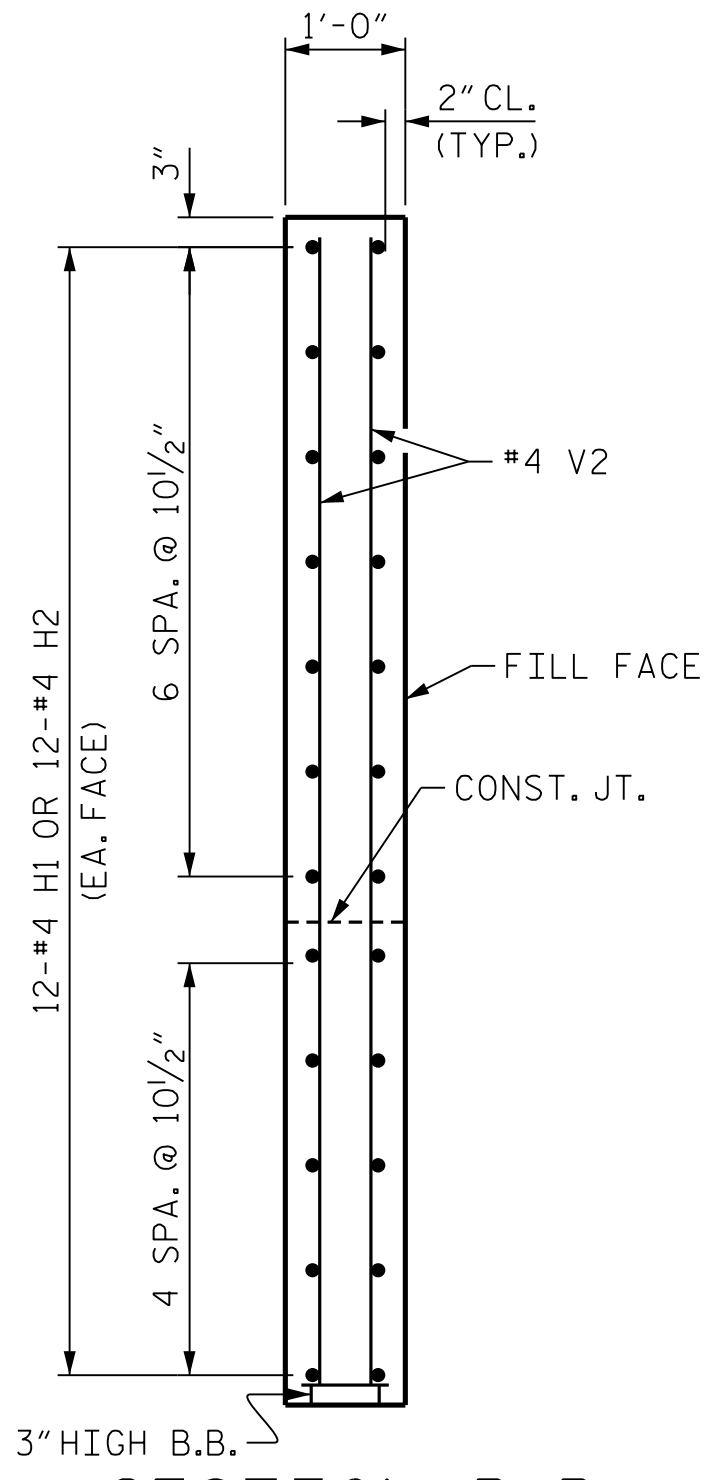


PLAN OF WING (W2)

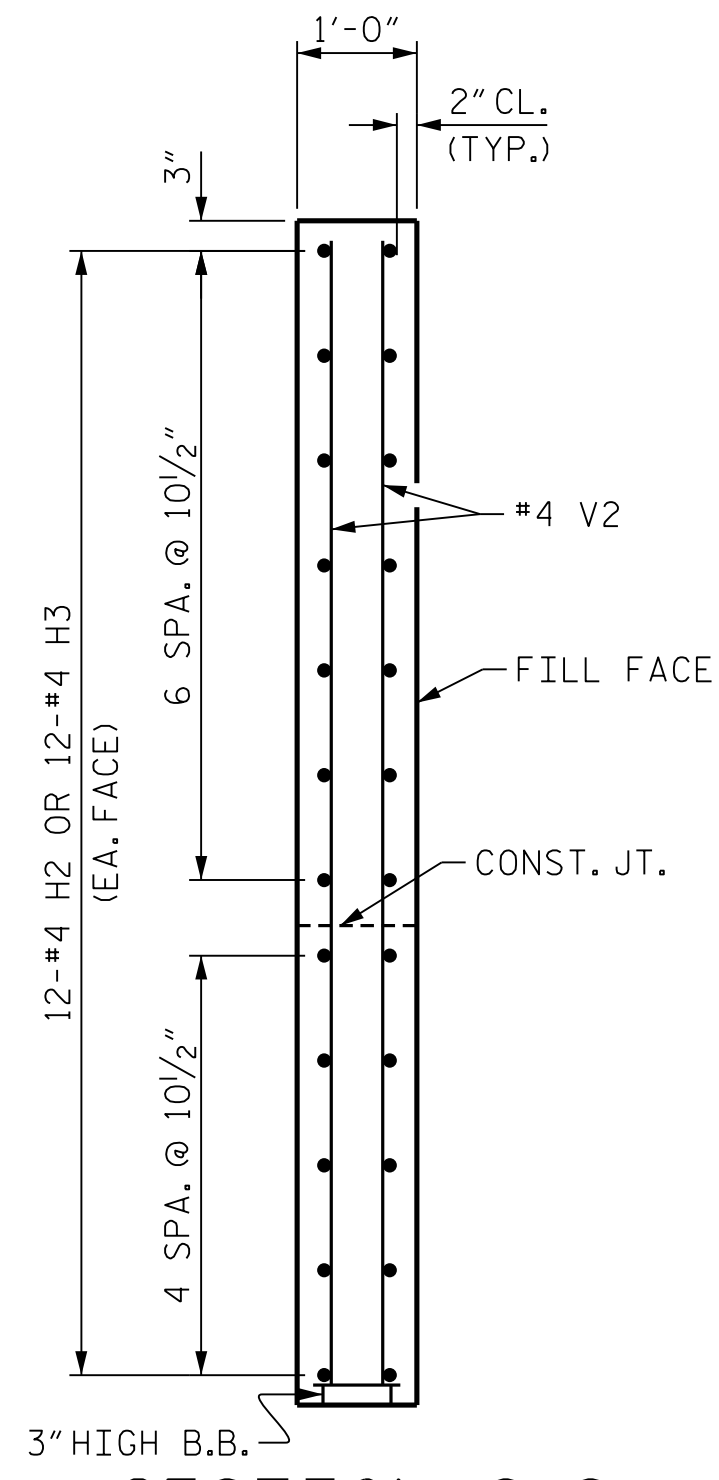
NOTE:
 * WINGWALL EXTENSION DISTANCE TO BE FIELD ADJUSTED AS REQUIRED TO PROVIDE 1" EXP. JT. MAT'L. BETWEEN THE MSE WALL COPING AND THE EXTENDED WINGWALL.



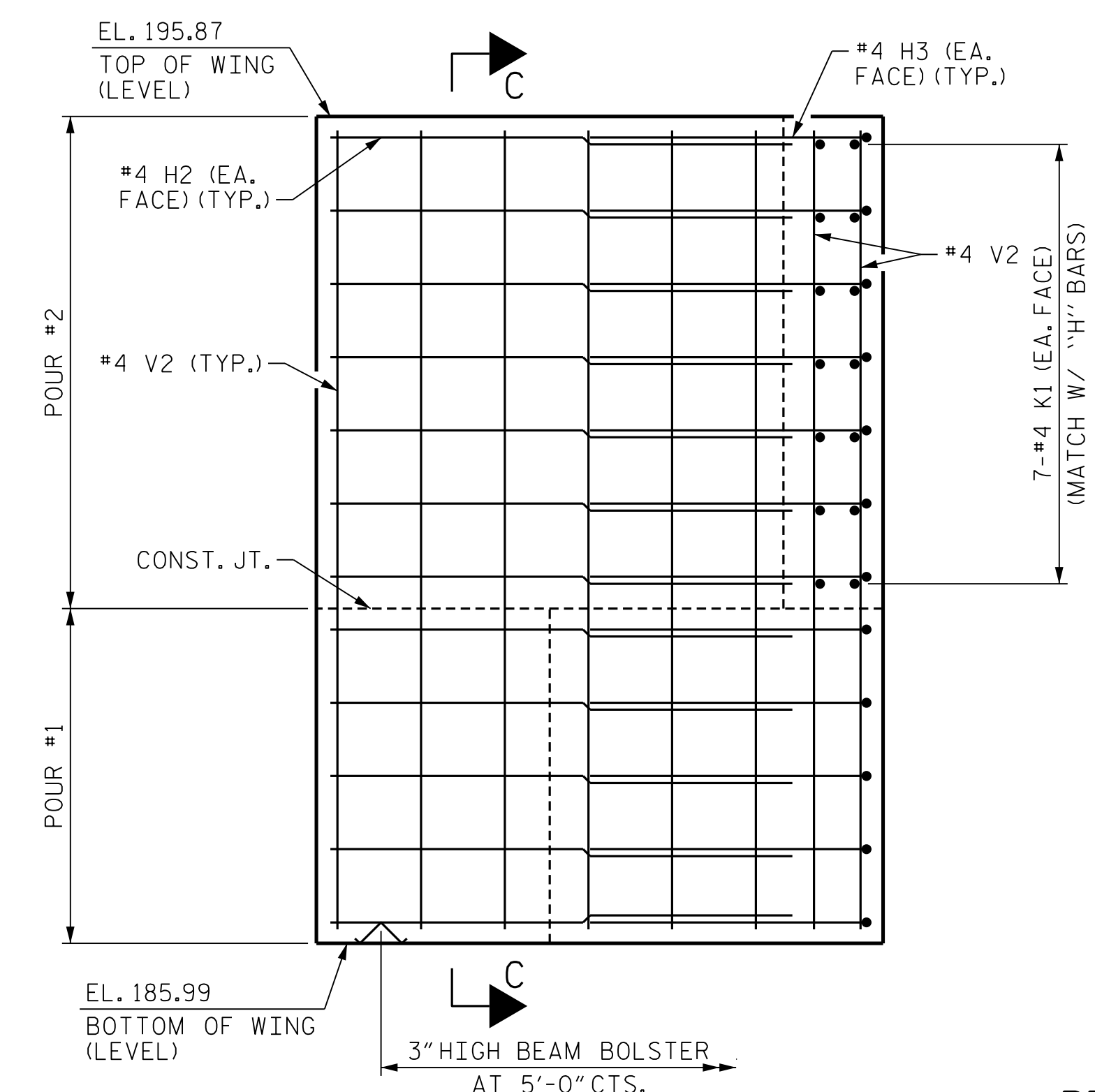
ELEVATION OF WING (W1)



SECTION B-B



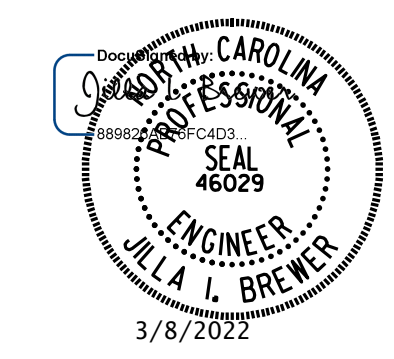
SECTION C-C



ELEVATION OF WING (W2)

PROJECT NO. I-5987B
ROBESON COUNTY
 STATION: 29+70.72 -Y7-

SHEET 2 OF 3



**DOCUMENT NOT CONSIDERED FINAL
 UNLESS ALL SIGNATURES COMPLETED**

MI ENGINEERING
 1011 SCHAUB DRIVE, SUITE 100
 RALEIGH, NC 27606
 (919) 851-6606
 FIRM PE NUMBER: P-0671

STATE OF NORTH CAROLINA DEPARTMENT OF TRANSPORTATION RALEIGH					
SUBSTRUCTURE END BENT 2 WINGWALL DETAILS					
REVISIONS					
NO.	BY:	DATE:	NO.	BY:	DATE:
1			3		
2			4		
SHEET NO. S10-29					TOTAL SHEETS 33

DRAWN BY : <u>B.E. LANNING</u>	DATE : <u>07/2021</u>
CHECKED BY : <u>J.I. BREWER</u>	DATE : <u>07/2021</u>
DESIGN ENGINEER OF RECORD : <u>J.I. BREWER</u>	DATE : <u>03/2022</u>

3/8/2022 10:38:17 AM User: blanning
 Filenamer: N:\NC Bridges\M20003 I-5987A&B I-5987B\Structures\410_057_I5987B_SMU.E2B.770167.dgn