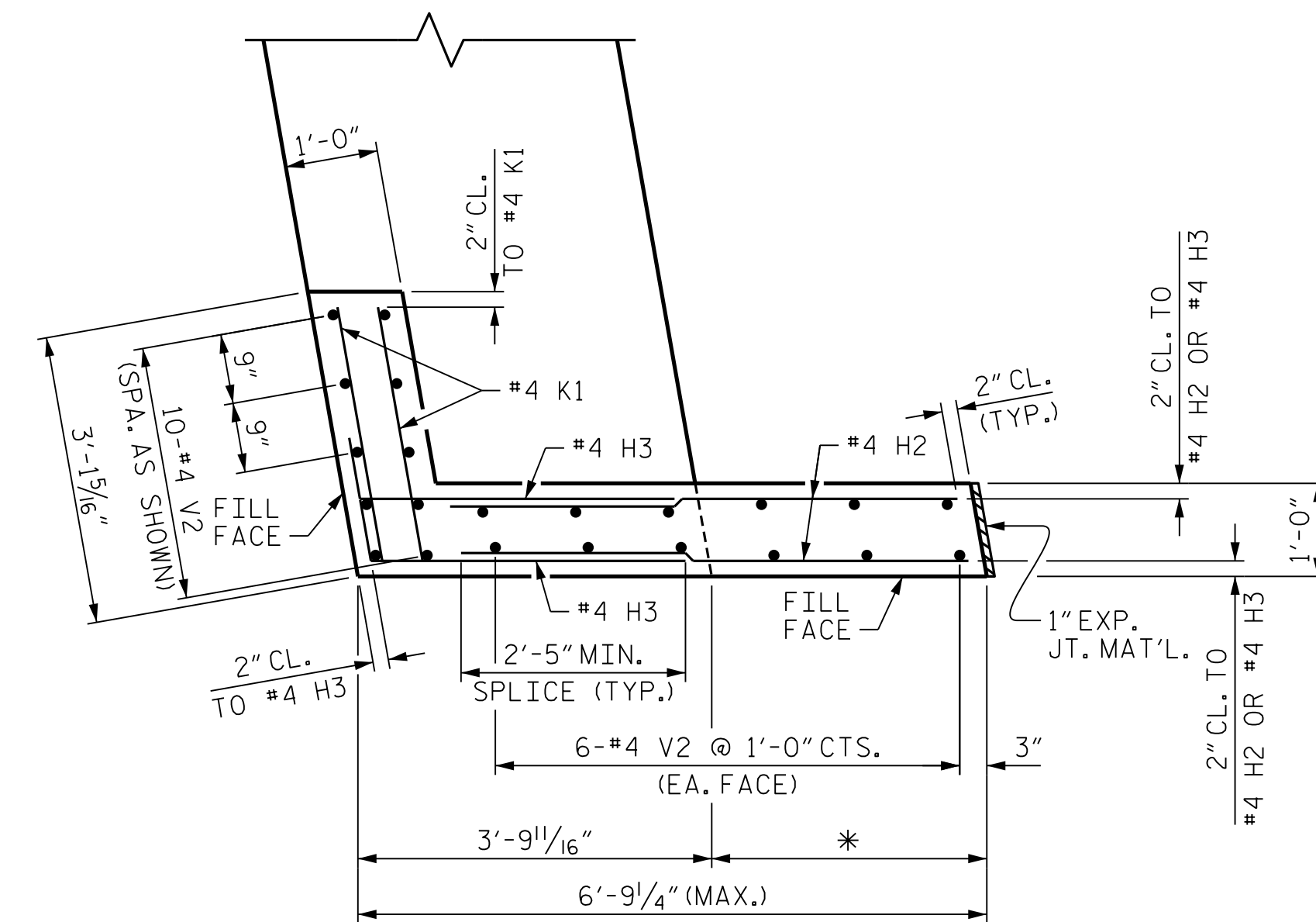
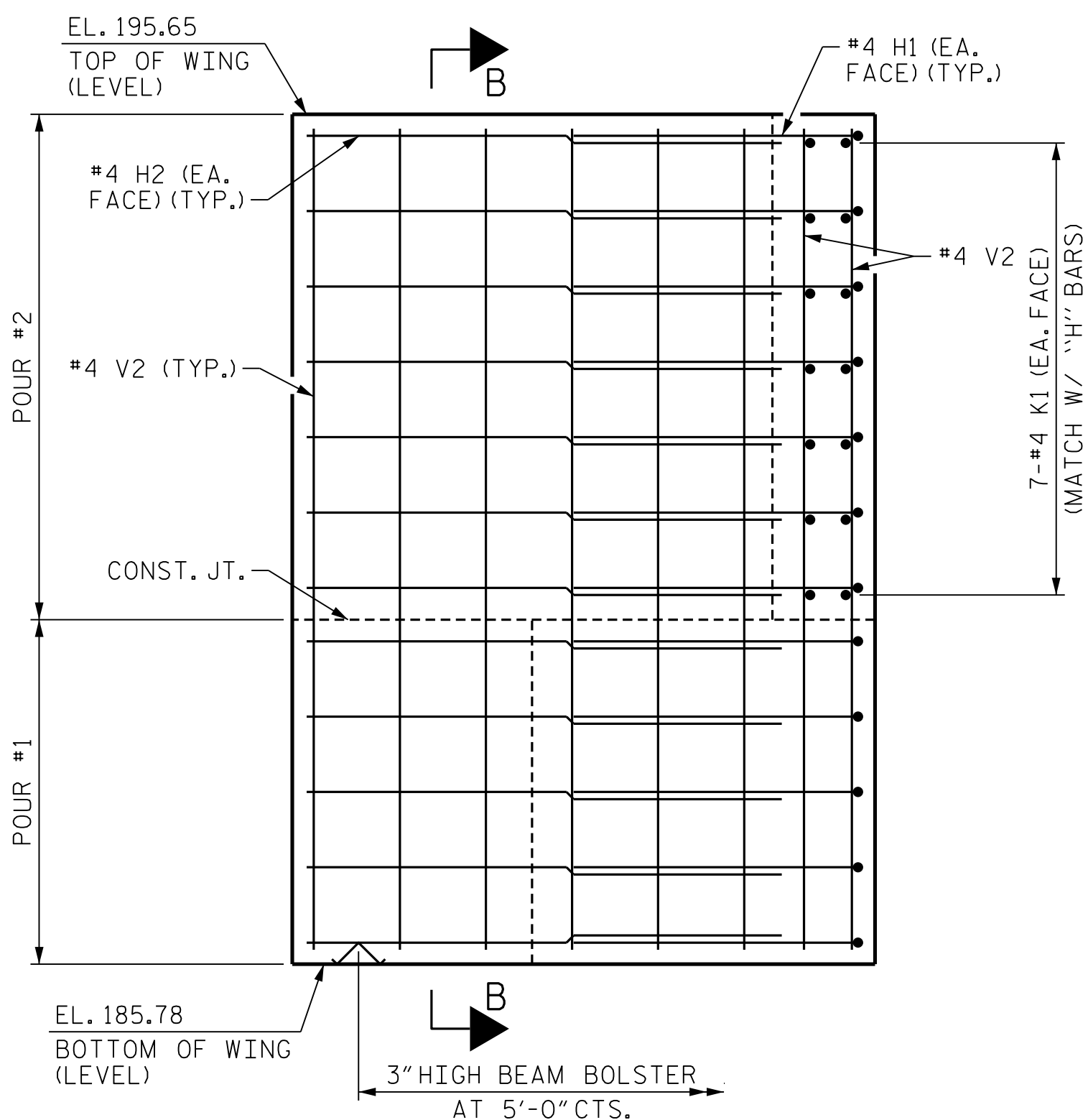


PLAN OF WING (W1)

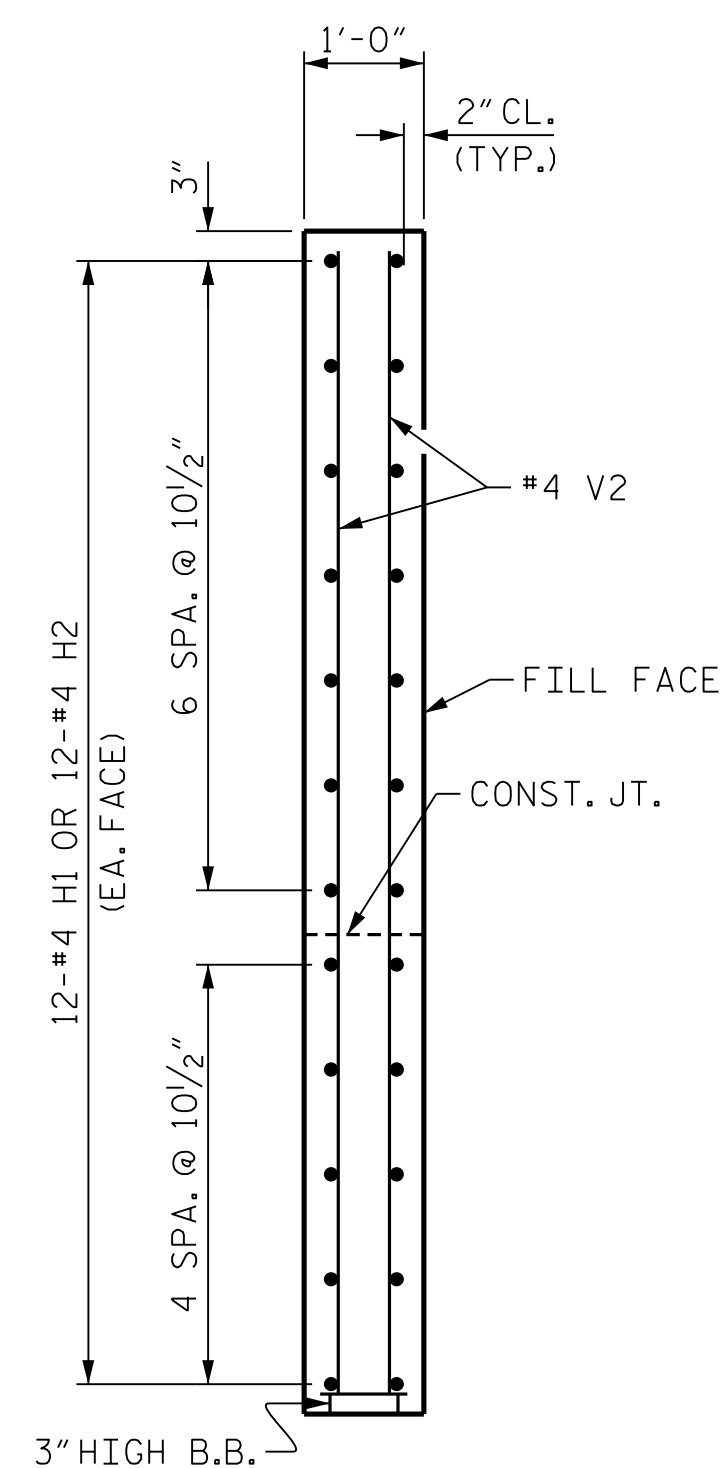
**NOTE:**  
 \* WINGWALL EXTENSION DISTANCE TO BE FIELD ADJUSTED AS REQUIRED TO PROVIDE 1" EXP. JT. MAT'L. BETWEEN THE MSE WALL COPING AND THE EXTENDED WINGWALL.



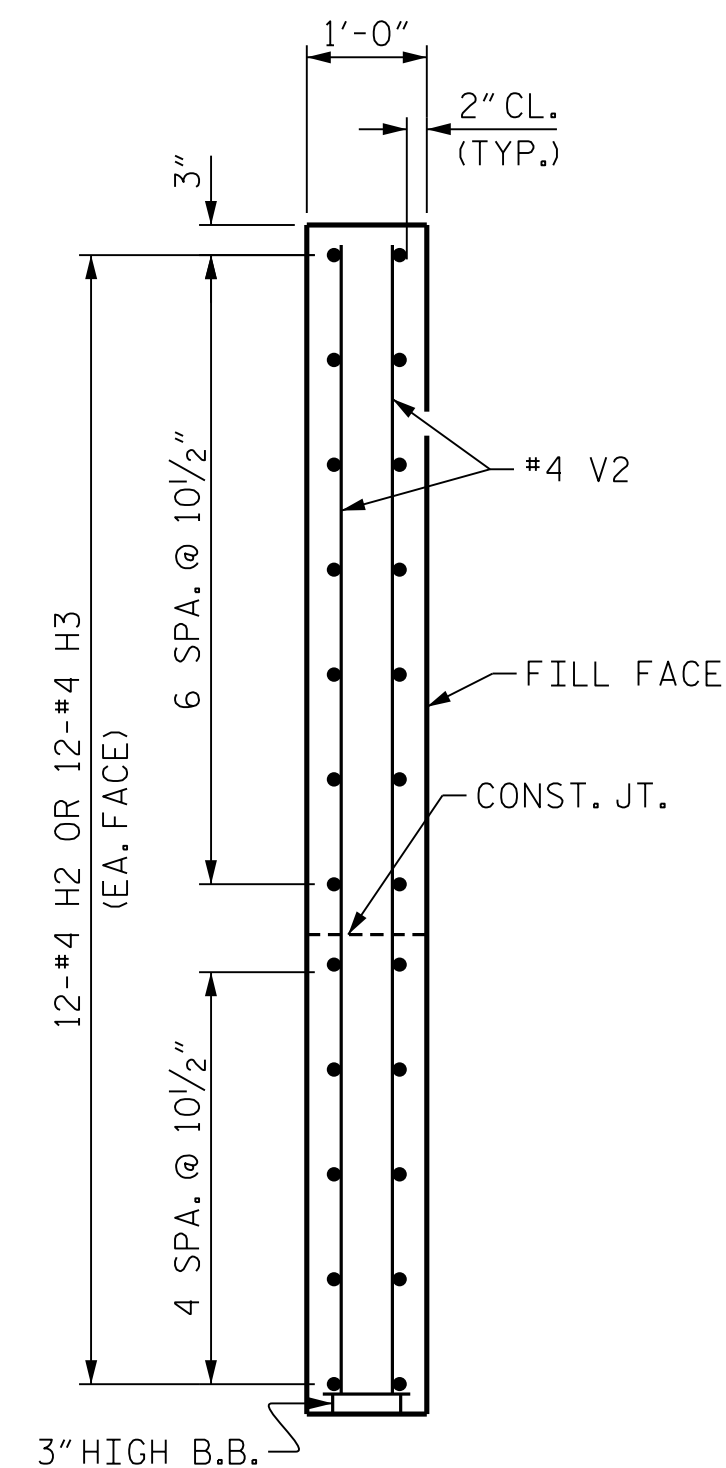
PLAN OF WING (W2)



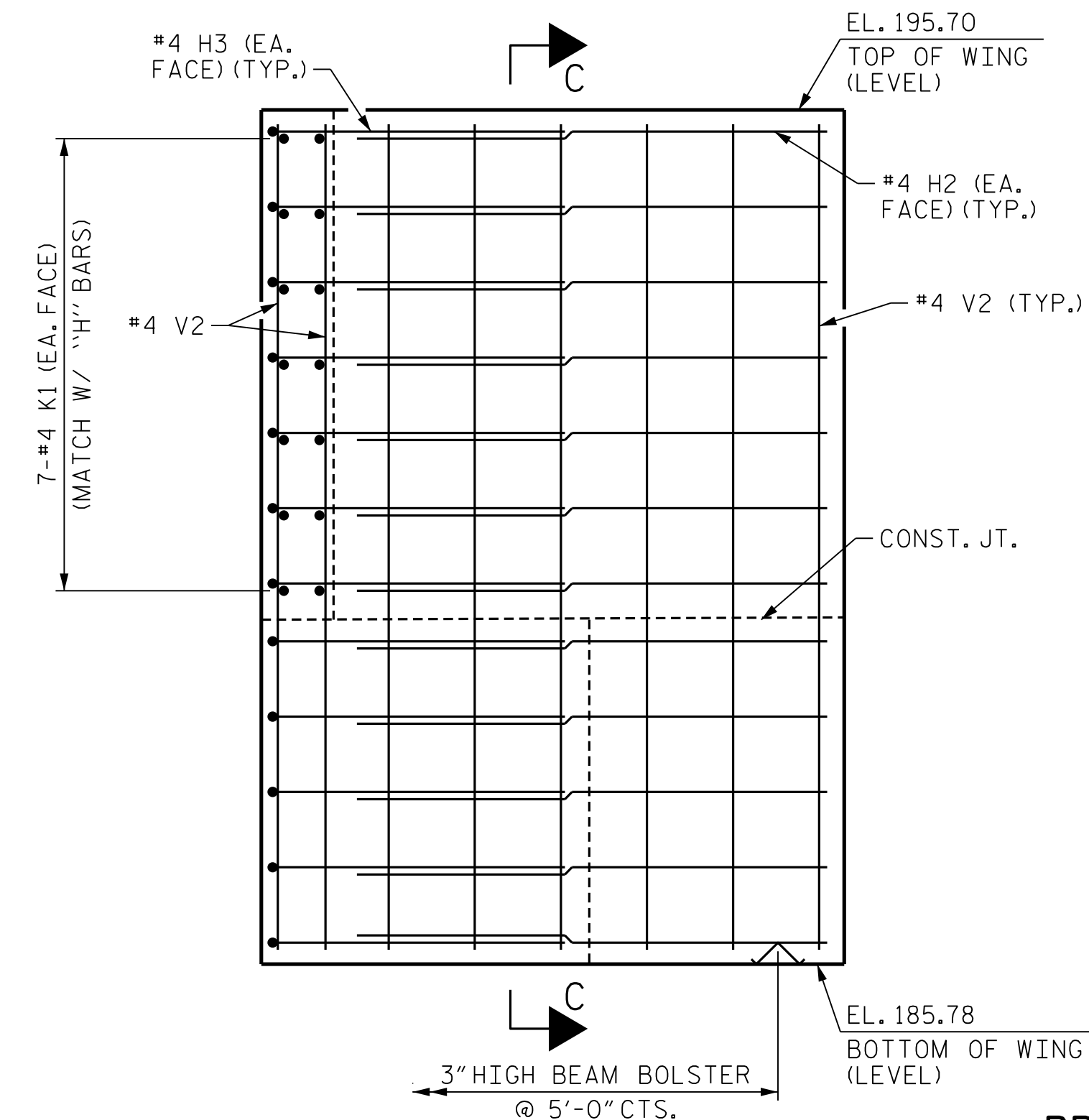
ELEVATION OF WING (W1)



SECTION B-B



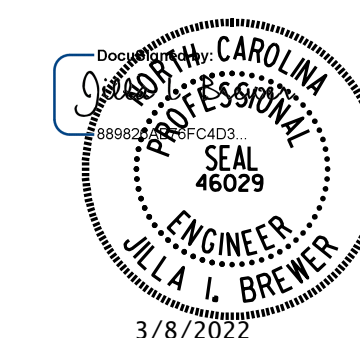
SECTION C-C



ELEVATION OF WING (W2)

PROJECT NO. I-5987B  
ROBESON COUNTY  
 STATION: 29+70.72 -Y7-

SHEET 2 OF 3



**DOCUMENT NOT CONSIDERED FINAL  
 UNLESS ALL SIGNATURES COMPLETED**

MI ENGINEERING  
 1011 SCHAUB DRIVE, SUITE 100  
 RALEIGH, NC 27606  
 (919) 851-6606  
 FIRM PE NUMBER: P-0671

STATE OF NORTH CAROLINA DEPARTMENT OF TRANSPORTATION RALEIGH					
SUBSTRUCTURE END BENT 1 WINGWALL DETAILS					
REVISIONS					
NO.	BY:	DATE:	NO.	BY:	DATE:
1			3		
2			4		
SHEET NO. <b>S10-23</b>					TOTAL SHEETS <b>33</b>

DRAWN BY : B.E. LANNING DATE : 07/2021  
 CHECKED BY : J.I. BREWER DATE : 07/2021  
 DESIGN ENGINEER OF RECORD : J.I. BREWER DATE : 03/2022

3/8/2022 10:38:09 AM User: blanning  
 Filename: N:\NC Bridges\W20003 I-5987A&B I-95\I5987B\Structures\410\_045\_I5987B\_SMU.EIB.770167.dgn