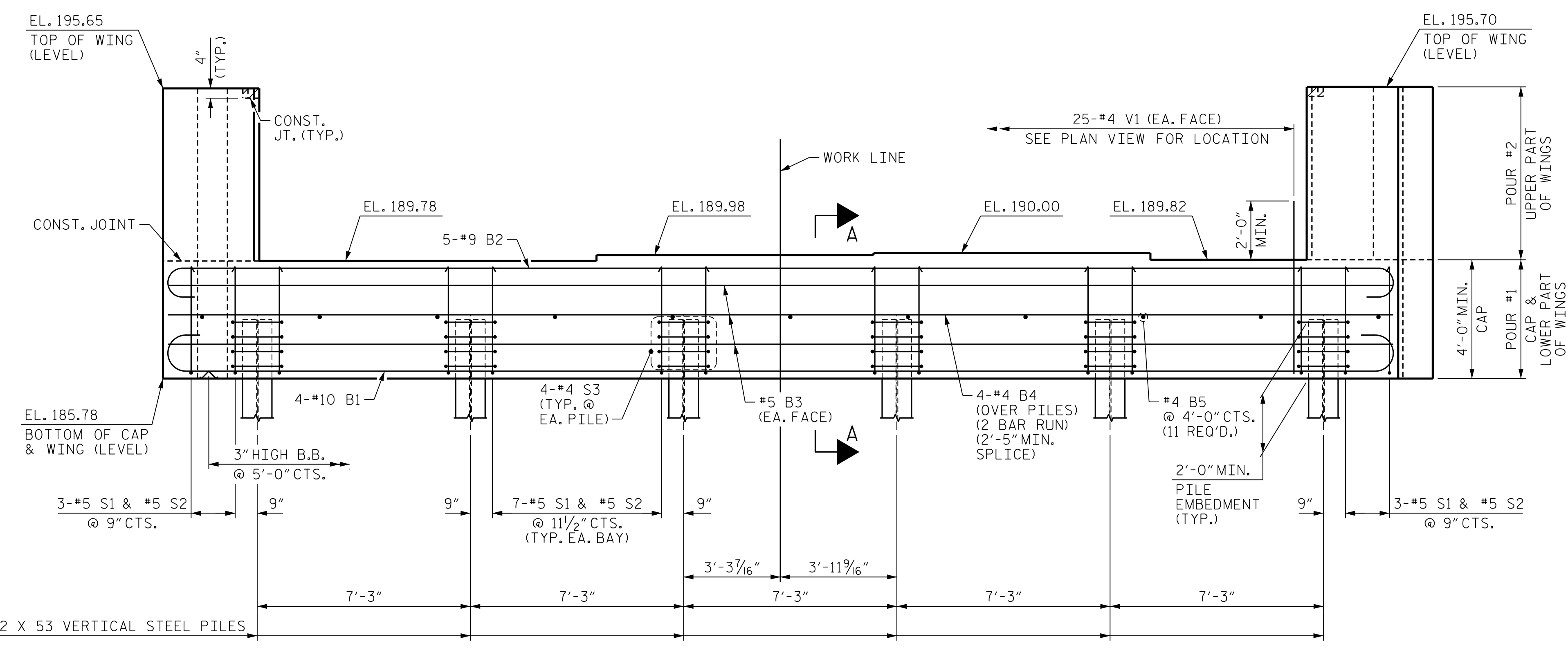


PLAN

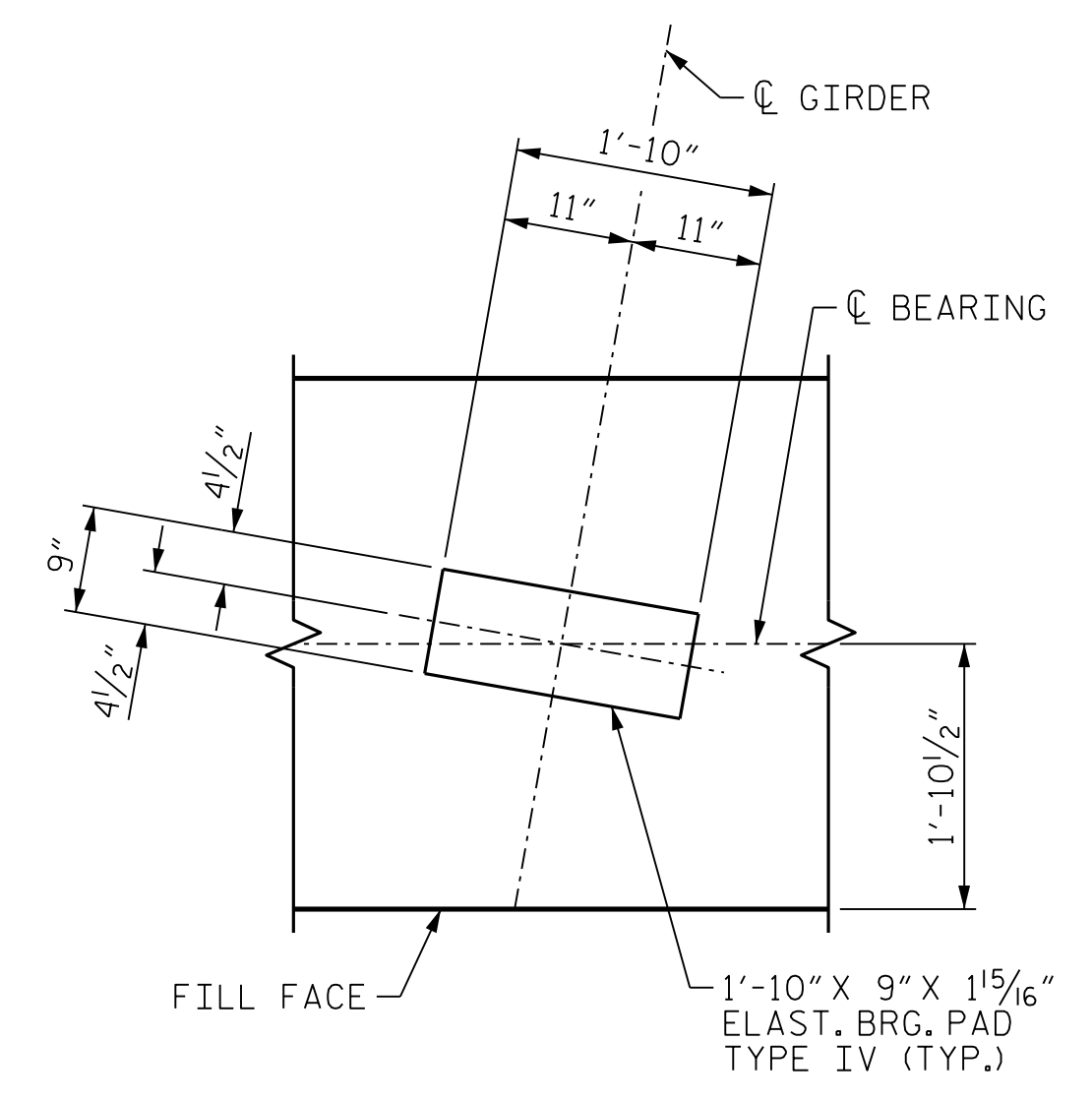


ELEVATION

PILE SLEEVES NOT SHOWN FOR CLARITY. SEE SECTION A-A.

NOTES:

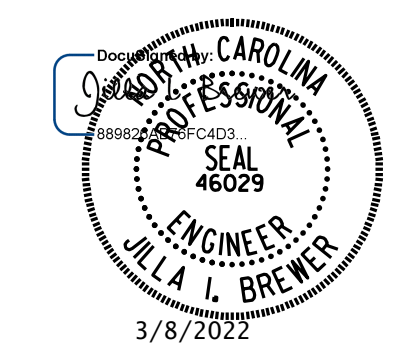
- THE TOP SURFACE OF THE END BENT CAP AND WINGS (POUR 1), EXCEPT THE BEARING AREAS AND THE NON-INTEGRAL AREAS AT CAP ENDS, SHALL BE RAKED TO A DEPTH OF 1/4".
- FOR SECTION A-A, PILE SPLICE DETAILS AND TEMPORARY DRAINAGE DETAILS, SEE SHEET 3 OF 3.
- THE CONCRETE IN THE HATCHED AREA OF THE WING SHALL BE POURED AFTER THE BARRIER RAIL IS CAST IF SLIP FORMING IS USED.
- STIRRUPS IN CAP MAY BE SHIFTED AS NECESSARY TO CLEAR #4 V1 BARS.
- * LENGTH OF EACH WING SHALL BE FIELD ADJUSTED AS REQUIRED TO PROVIDE 1" EXPANSION JOINT MATERIAL AS SHOWN BETWEEN THE COMPONENT AND THE MSE WALL COPING. (2'-11 1/2" MAX.)



DETAIL "A"
(TYP. AT EACH BEARING)

PROJECT NO. I-5987B
ROBESON COUNTY
 STATION: 29+70.72 -Y7-

SHEET 1 OF 3



STATE OF NORTH CAROLINA
 DEPARTMENT OF TRANSPORTATION
 RALEIGH
 SUBSTRUCTURE
 END BENT 1
 PLAN AND ELEVATION

DOCUMENT NOT CONSIDERED FINAL
 UNLESS ALL SIGNATURES COMPLETED

MI ENGINEERING
 1011 SCHAUB DRIVE, SUITE 100
 RALEIGH, NC 27606
 (919) 851-6606
 FIRM PE NUMBER: P-0671

REVISIONS						SHEET NO.	
NO.	BY:	DATE:	NO.	BY:	DATE:	S10-22	
1			3			TOTAL SHEETS	
2			4			33	

DRAWN BY : B.E. LANNING	DATE : 07/2021
CHECKED BY : J.I. BREWER	DATE : 07/2021
DESIGN ENGINEER OF RECORD : J.I. BREWER	DATE : 03/2022

3/8/2022 10:38:08 AM User: blanning
 Filename: N:\NC Bridges\W20003 I-5987A&B I-95\I5987B\Structures\410_043_I5987B_SMU.EIA_770167.dgn