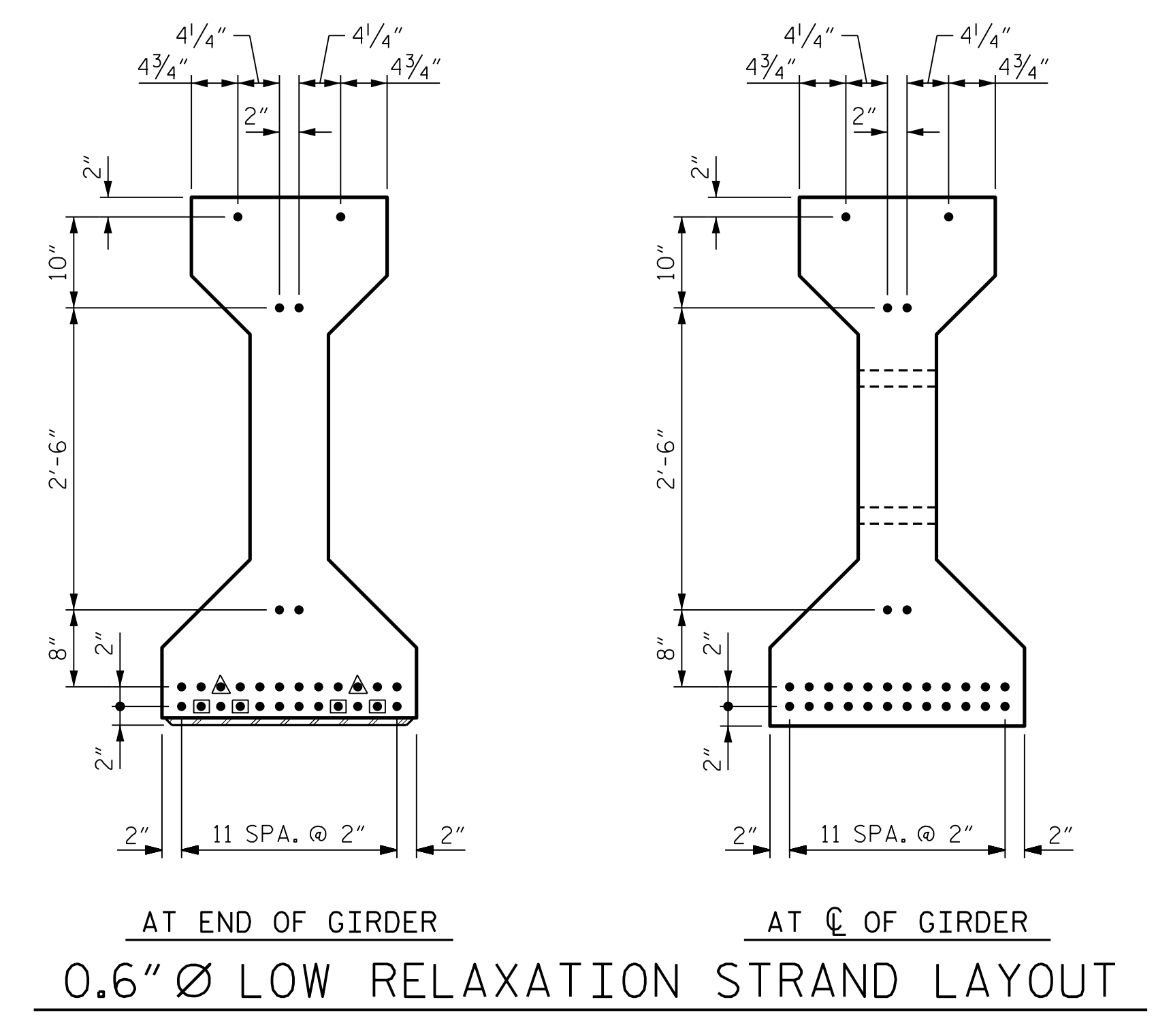
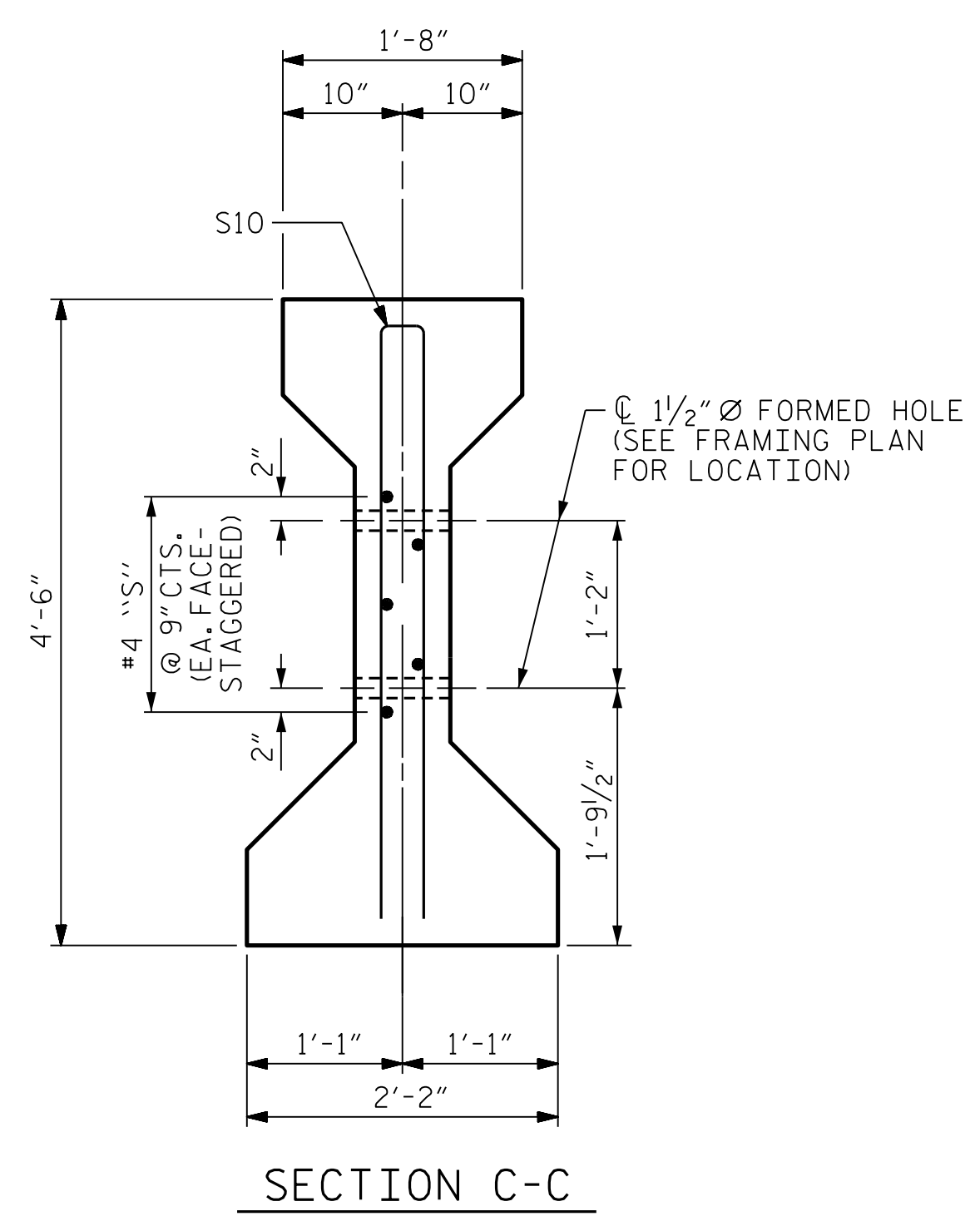


\* FOR S7 BARS, SEE  
DETAIL "A" OF  
PRESTRESSED  
CONCRETE GIRDER  
DETAILS SHEET



0.6" Ø LOW RELAXATION STRAND LAYOUT

DEBONDING LEGEND

- FULLY BONDED STRANDS
- ▲ STRANDS DEBONDED FOR 4'-0" FROM END OF GIRDER
- STRANDS DEBONDED FOR 8'-0" FROM END OF GIRDER

0.6" Ø L. R. GRADE 270 STRANDS		
AREA (SQUARE INCHES)	ULTIMATE STRENGTH (LBS. PER STRAND)	APPLIED PRESTRESS (LBS. PER STRAND)
0.217	58,600	43,950

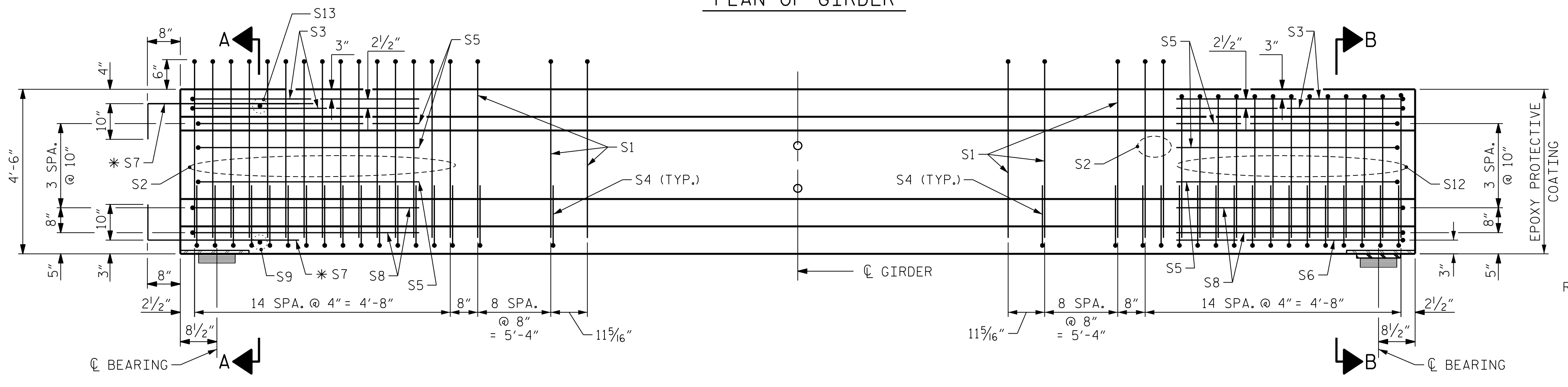
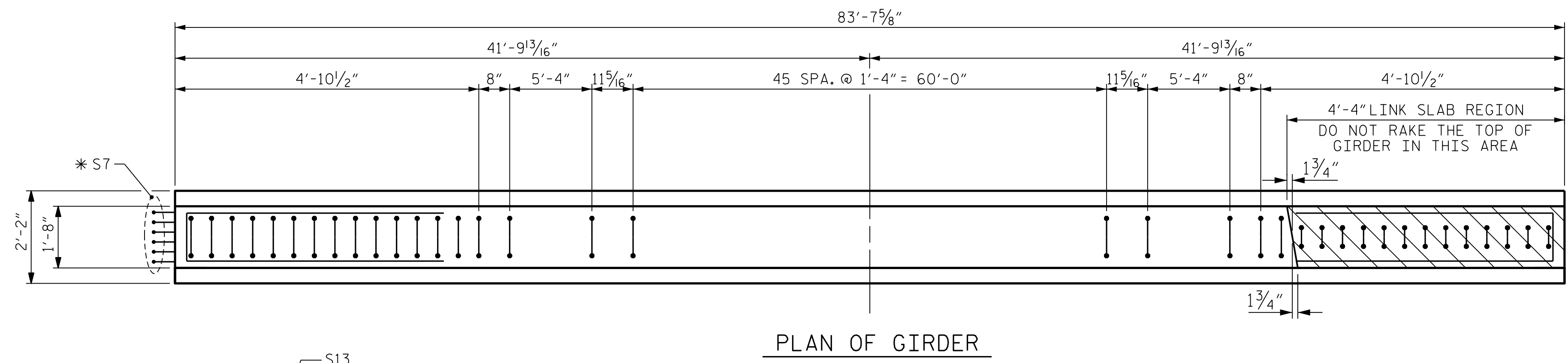
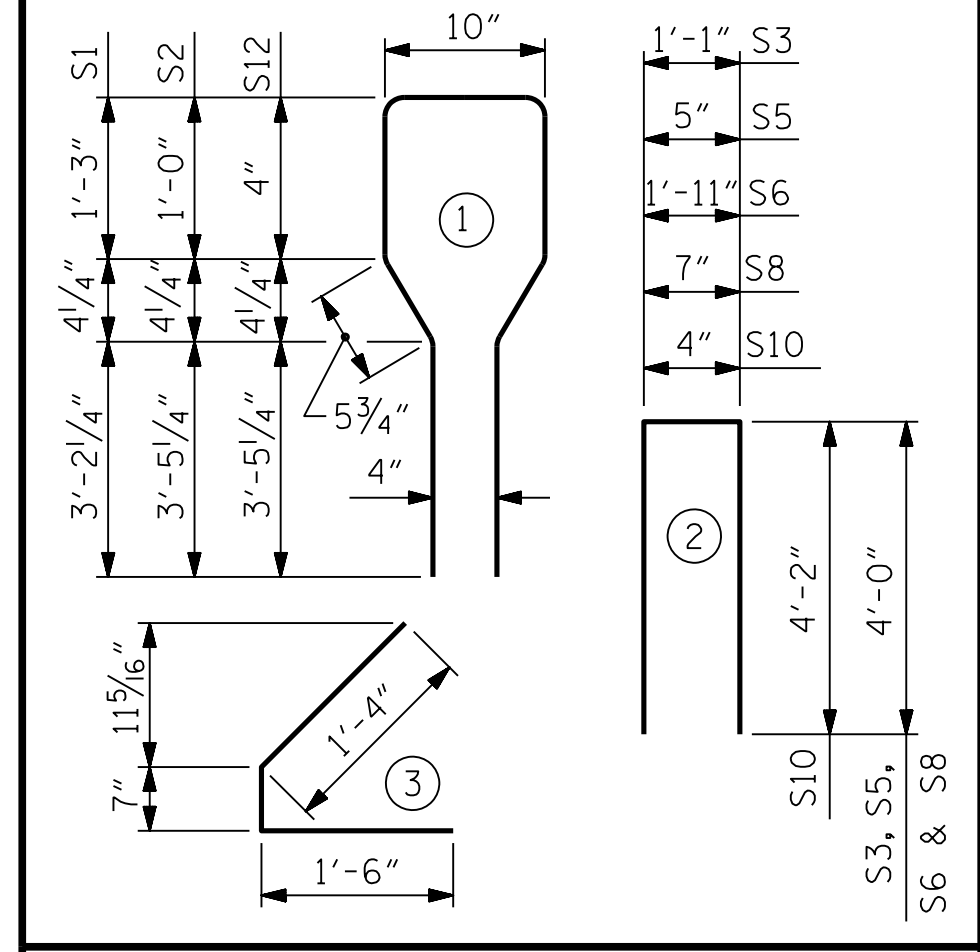
REINFORCING STEEL FOR ONE GIRDER

BAR	NUMBER	SIZE	TYPE	LENGTH	WEIGHT
S1	64	#4	1	10'-8"	456
S2	17	#6	1	10'-8"	272
S3	4	#4	2	9'-1"	24
S4	96	#4	3	3'-5"	219
S5	6	#4	2	8'-5"	34
S6	1	#4	2	9'-11"	7
*S7	12	#5	STR	3'-8"	46
S8	4	#4	2	8'-7"	23
S9	1	#3	STR	1'-10"	1
S10	2	#5	2	8'-8"	18
S11	5	#4	STR	7'-0"	23
S12	13	#6	1	9'-4"	182
S13	1	#3	STR	1'-4"	1

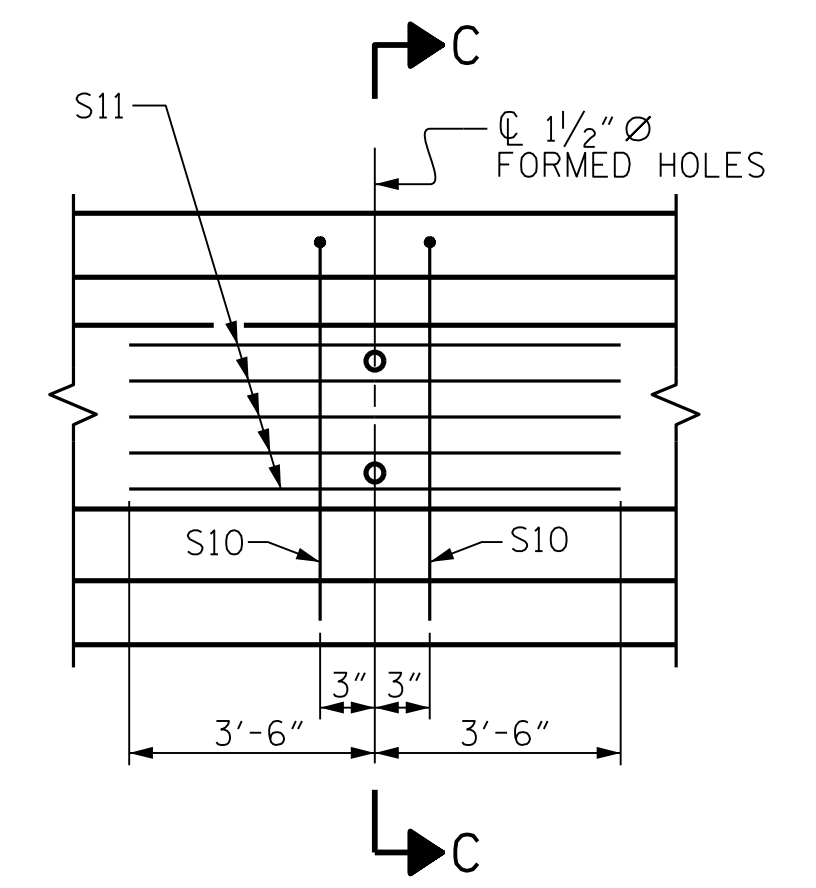
\* NOTE: S7 BARS SHALL BE BENT BEFORE SHIPMENT. HEAT BENDING SHALL NOT BE ALLOWED.

BAR TYPES

ALL BAR DIMENSIONS ARE OUT-TO-OUT.



ELEVATION OF GIRDER  
(SEE PARTIAL ELEVATION FOR ADDITIONAL "S" BARS)



QUANTITIES FOR ONE GIRDER

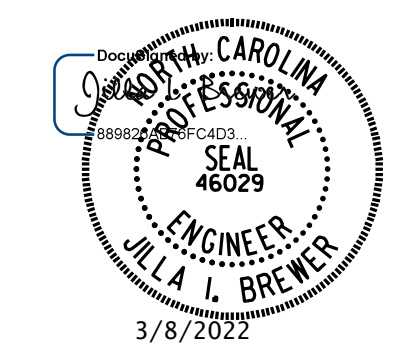
	REINFORCING STEEL	7000 PSI CONCRETE	0.6" Ø L. R. STRANDS
	LB.	C.Y.	No.
GDR. A1-GDR. A4	1,306	17.0	30

GIRDERS REQUIRED

NUMBER	LENGTH	TOTAL LENGTH
4	83.64'	334.54'

PROJECT NO. I-5987B  
ROBESON COUNTY  
 STATION: 29+70.72 -Y7-

SHEET 1 OF 4



DOCUMENT NOT CONSIDERED FINAL  
UNLESS ALL SIGNATURES COMPLETED

MI ENGINEERING  
1011 SCHAUH DRIVE, SUITE 100  
RALEIGH, NC 27606  
(919) 851-6606  
FIRM PE NUMBER: P-0671

STATE OF NORTH CAROLINA  
DEPARTMENT OF TRANSPORTATION  
RALEIGH  
SUPERSTRUCTURE  
AASHTO TYPE IV  
PRESTRESSED CONCRETE  
GIRDER - LINK SLAB  
SPAN A

REVISIONS						SHEET NO. <b>S10-13</b>
NO.	BY:	DATE:	NO.	BY:	DATE:	
1			3			TOTAL SHEETS <b>33</b>
2			4			

3/8/2022 10:37:55 AM User: blanning File: I:\Projects\I-5987A&B\I-5987A&B\Structures\410-025-I5987B-SMU.GI-770167.dgn

DRAWN BY : D.R. BROWN	DATE : 02/2021
CHECKED BY : J.I. BREWER	DATE : 03/2021
DESIGN ENGINEER OF RECORD : J.I. BREWER	DATE : 03/2022