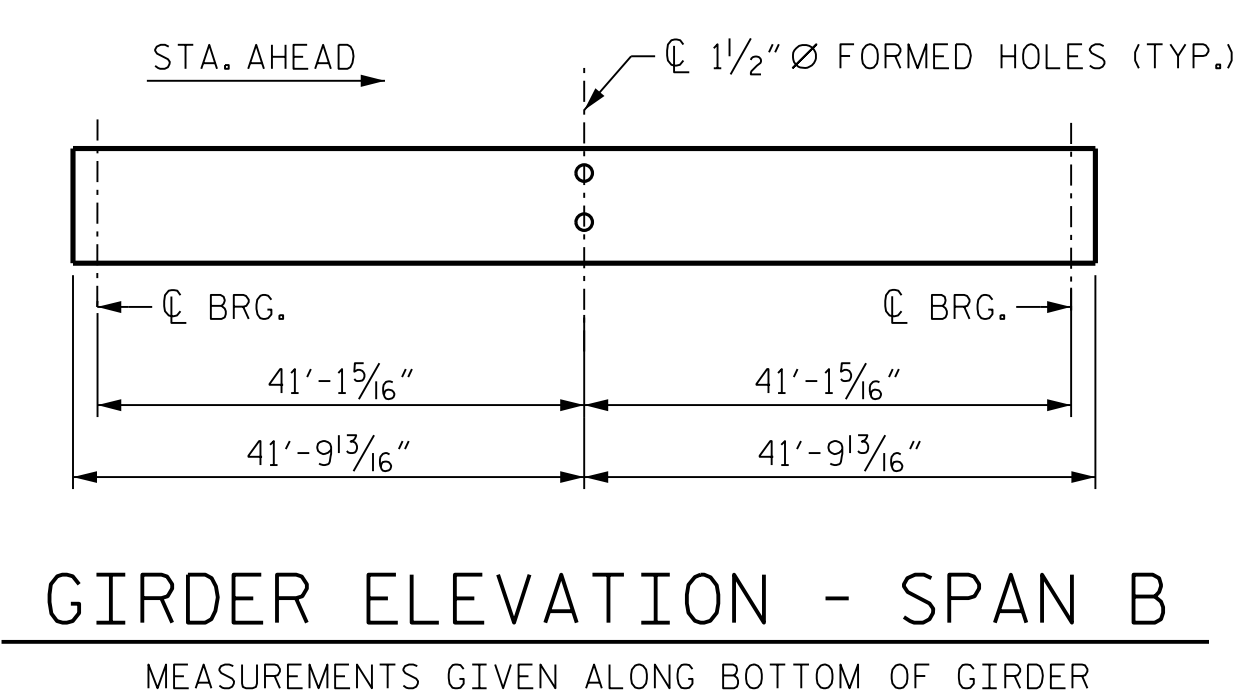
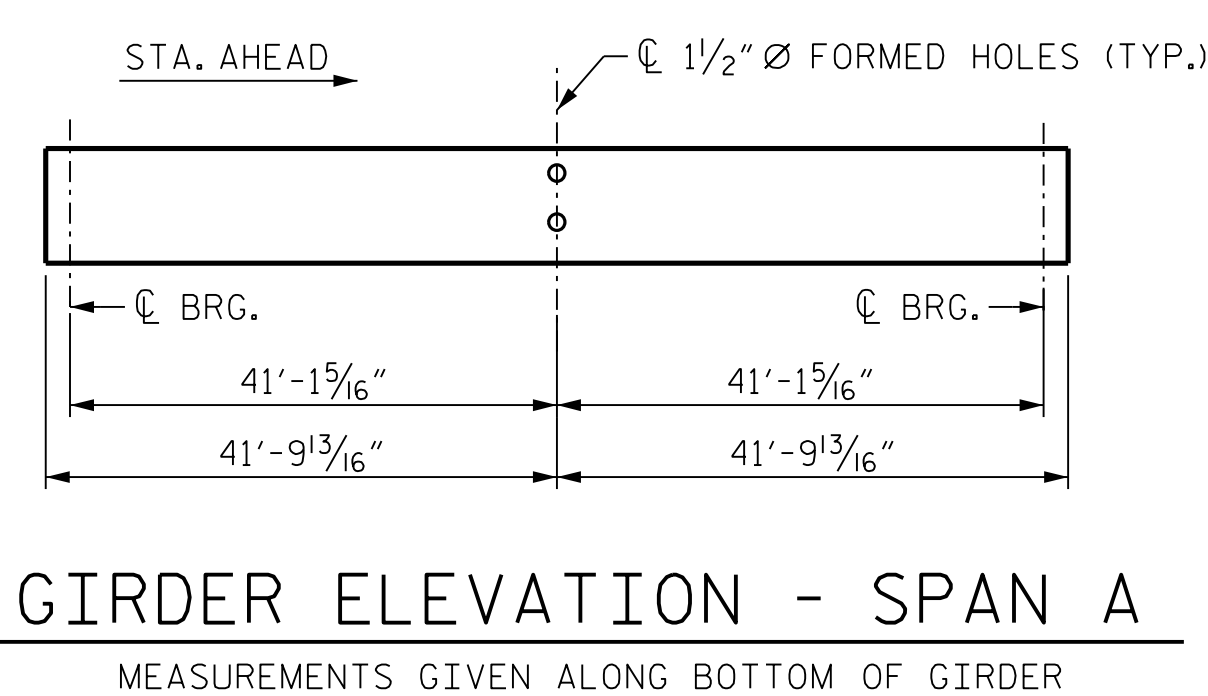
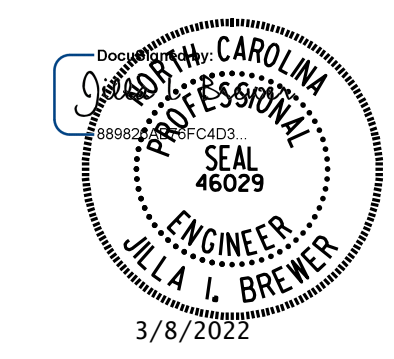


FRAMING PLAN
ALL DIMENSIONS HORIZONTAL U.O.N.



PROJECT NO. I-5987B
ROBESON COUNTY
STATION: 29+70.72 -Y7-



STATE OF NORTH CAROLINA
DEPARTMENT OF TRANSPORTATION
RALEIGH
**SUPERSTRUCTURE
FRAMING PLAN**

**DOCUMENT NOT CONSIDERED FINAL
UNLESS ALL SIGNATURES COMPLETED**

MI ENGINEERING
1011 SCHAUB DRIVE, SUITE 100
RALEIGH, NC 27606
(919) 851-6606
FIRM PE NUMBER: P-0671

REVISIONS						SHEET NO.
NO.	BY:	DATE:	NO.	BY:	DATE:	TOTAL SHEETS
1			3			33
2			4			

DRAWN BY : D.R. BROWN DATE : 02/2021
CHECKED BY : J.I. BREWER DATE : 03/2021
DESIGN ENGINEER OF RECORD : J.I. BREWER DATE : 03/2022

3/8/2022 10:37:54 AM User: blanning
 Filename: N:\NC Bridges\20003 I-5987A&B I-95\I5987B\Structures\410-023-I5987B-SMU.FP1-770167.dgn