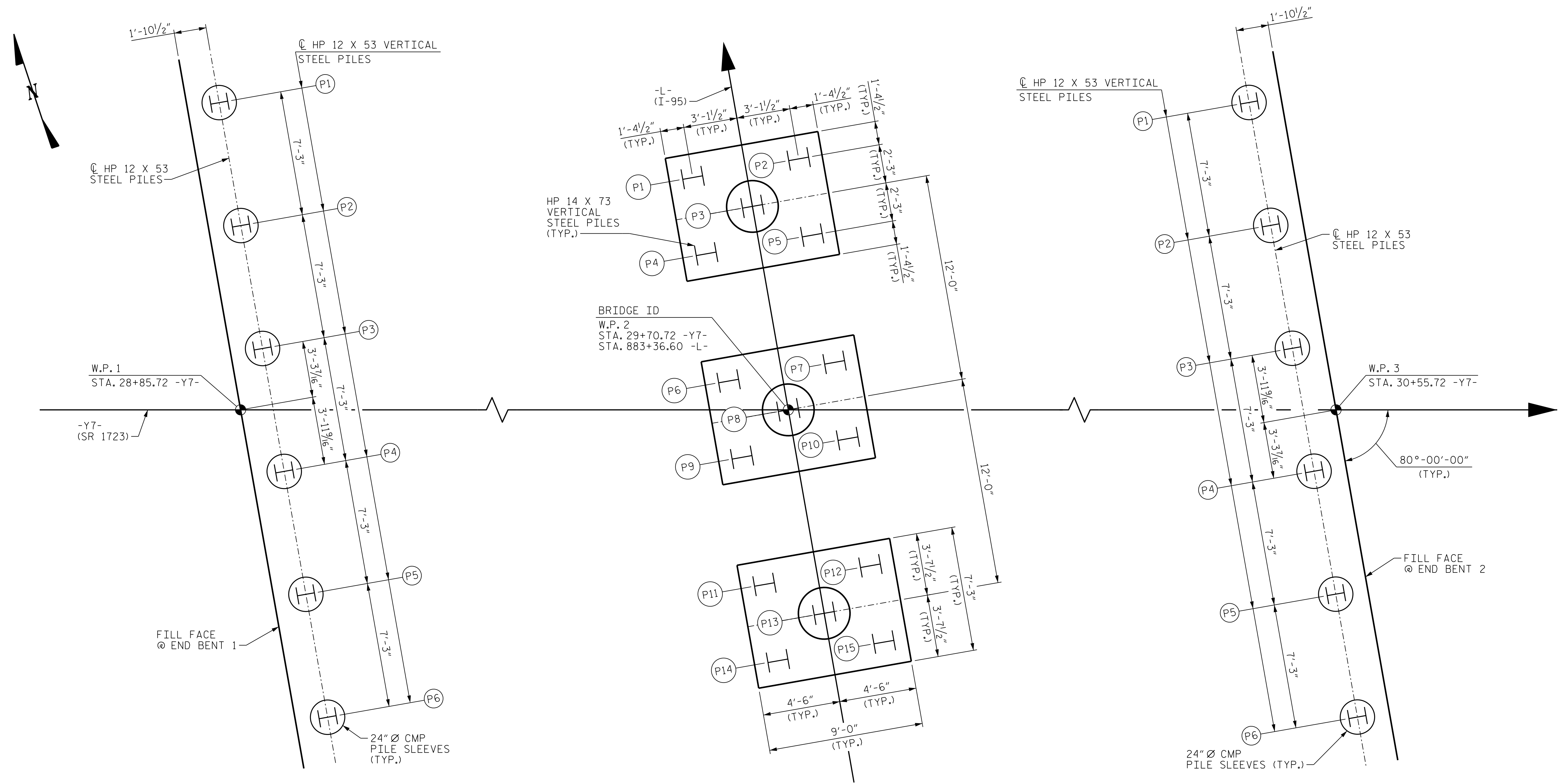


3/8/2022 10:37:38 AM User: blanning
 Filename: N:\NC Bridges\20003 I-5987A&B I-95\I5987B\Structures\410.005.I5987B.SMU.FL01.770167.dgn



END BENT 1

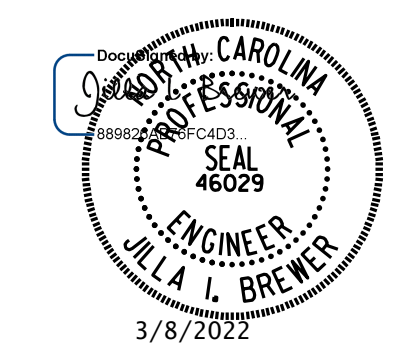
BENT 1

END BENT 2

FOUNDATION LAYOUT

DIMENSIONS LOCATING PILES ARE SHOWN TO THE PILE CENTERLINE AT THE BOTTOM OF CAP OR FOOTING.
 FOR FOUNDATION NOTES, SEE "PILE FOUNDATION TABLES" SHEET.

PROJECT NO. I-5987B
ROBESON COUNTY
 STATION: 29+70.72 -Y7-



STATE OF NORTH CAROLINA
 DEPARTMENT OF TRANSPORTATION
 RALEIGH
FOUNDATION LAYOUT

**DOCUMENT NOT CONSIDERED FINAL
 UNLESS ALL SIGNATURES COMPLETED**

DRAWN BY : <u>B.E. LANNING</u>	DATE : <u>07/2021</u>
CHECKED BY : <u>J.I. BREWER</u>	DATE : <u>11/2021</u>
DESIGN ENGINEER OF RECORD : <u>J.I. BREWER</u>	DATE : <u>03/2022</u>

MI ENGINEERING
 1011 SCHAUB DRIVE, SUITE 100
 RALEIGH, NC 27606
 (919) 851-6606
 FIRM PE NUMBER : P-0671

REVISIONS						SHEET NO. 10-3
NO.	BY:	DATE:	NO.	BY:	DATE:	
1			3			TOTAL SHEETS 33
2			4			