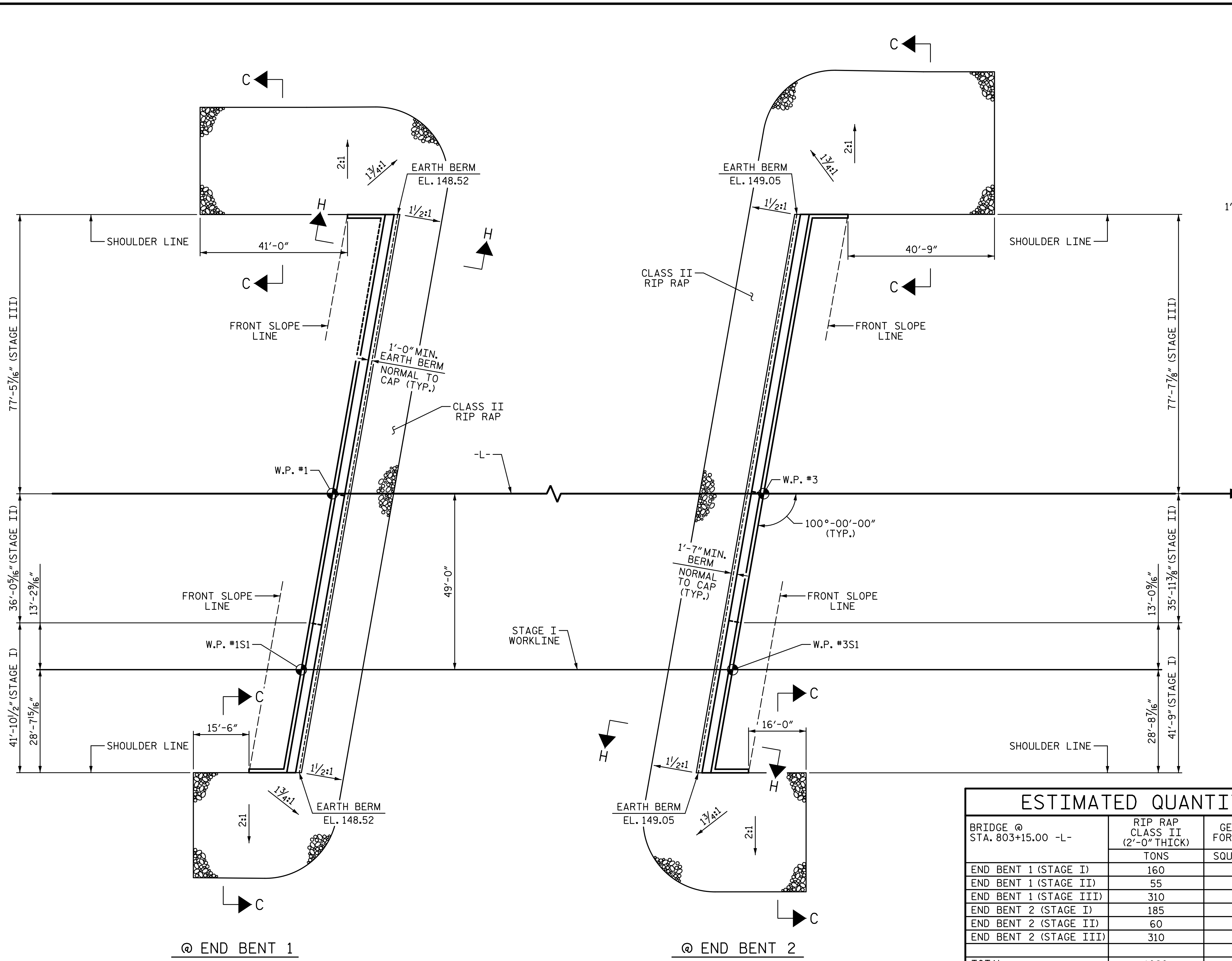
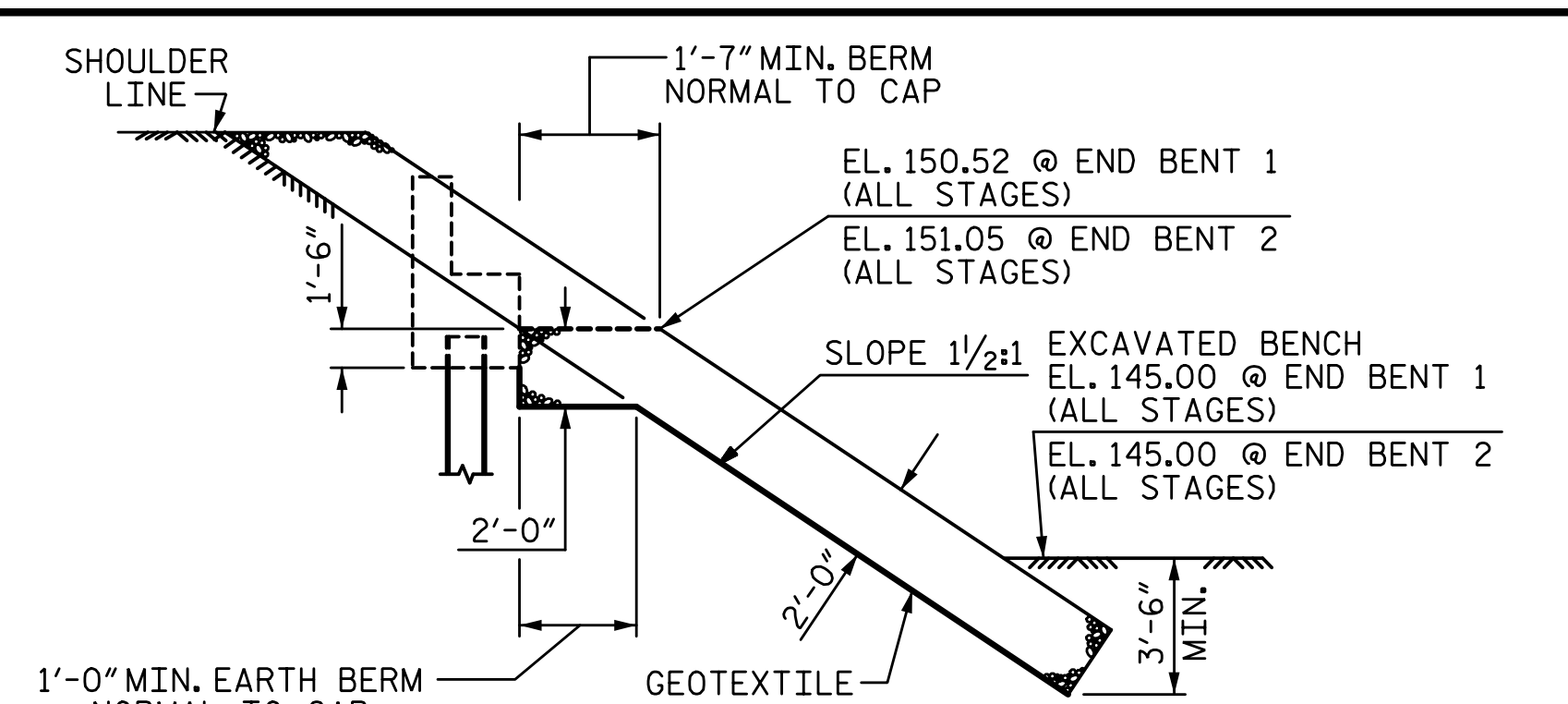


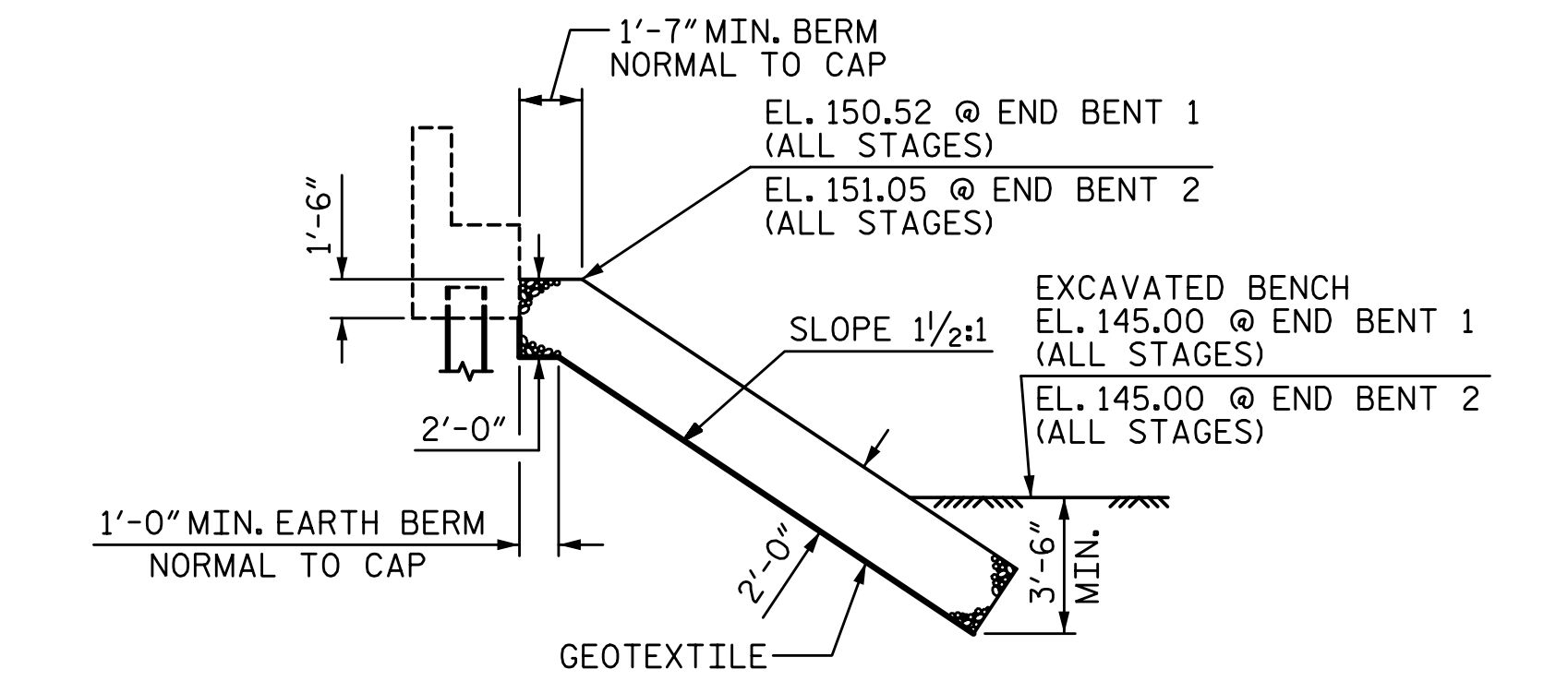
3/18/2022 11:07:00 AM G:\Projects\2020\Division 6 (Mott) Mac - NV5\I-5987B\Structures\Site 9 (L over Little Marsh Swamp)\Drawings\Final\I5987B_SMU_RR_770164.dgn



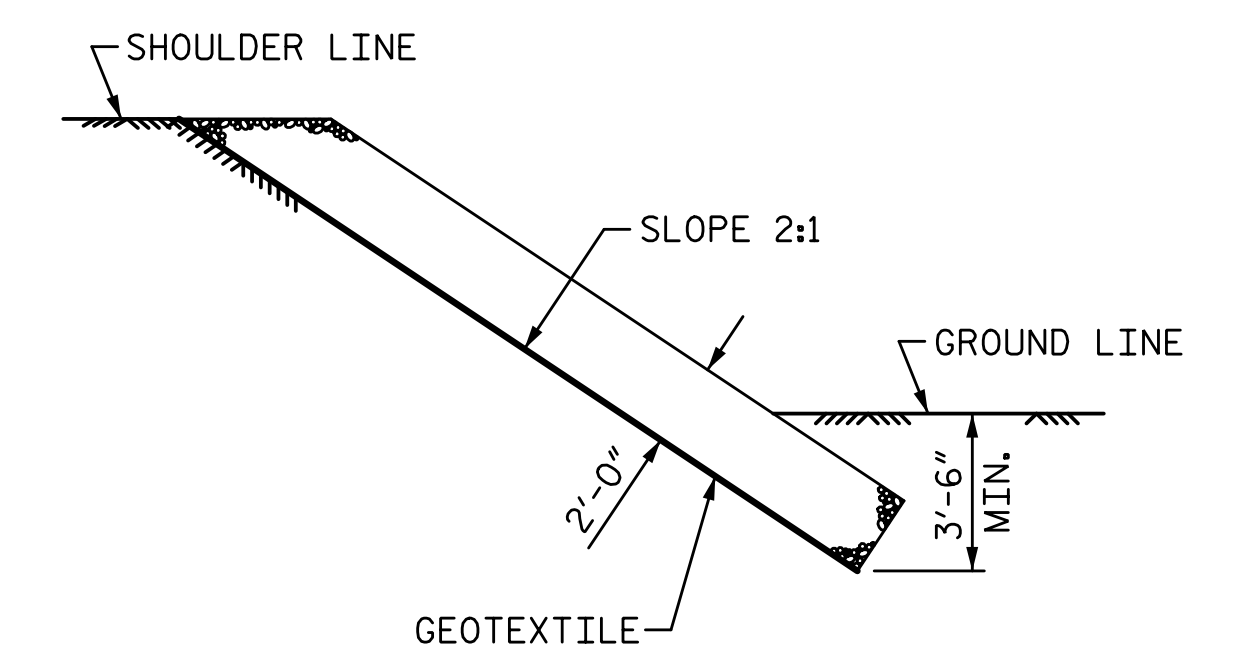
PLAN OF RIP RAP



SECTION H-H
END BENT 1 SHOWN, END BENT 2 SIMILAR



SECTION C-C
END BENT 1 SHOWN, END BENT 2 SIMILAR



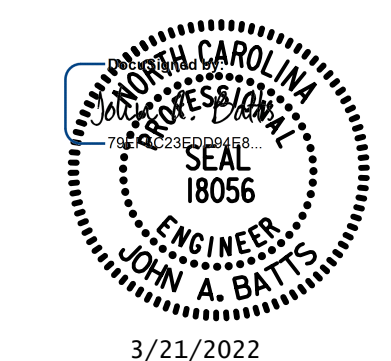
SECTION BERM RIP RAPPED

ESTIMATED QUANTITIES		
BRIDGE @ STA. 803+15.00 -L-	RIP RAP CLASS II (2'-0" THICK)	GEOTEXTILE FOR DRAINAGE
	TONS	SQUARE YARDS
END BENT 1 (STAGE I)	160	180
END BENT 1 (STAGE II)	55	60
END BENT 1 (STAGE III)	310	345
END BENT 2 (STAGE I)	185	205
END BENT 2 (STAGE II)	60	65
END BENT 2 (STAGE III)	310	345
TOTAL	1080	1200

PROJECT NO. I-5987B
ROBESON COUNTY
 STATION: 803+15.00 -L-

STATE OF NORTH CAROLINA
 DEPARTMENT OF TRANSPORTATION
 RALEIGH

RIP RAP DETAILS



DRAWN BY: S.D. COOPER DATE: 3-22
 CHECKED BY: J.A. BATTS DATE: 3-22
 DESIGN ENGINEER OF RECORD: J.A. BATTS DATE: 3-22

REVISIONS						SHEET NO. S9-66
NO.	BY:	DATE:	NO.	BY:	DATE:	
1			3			TOTAL SHEETS 69
2			4			

**DOCUMENT NOT CONSIDERED FINAL
 UNLESS ALL SIGNATURES COMPLETED**