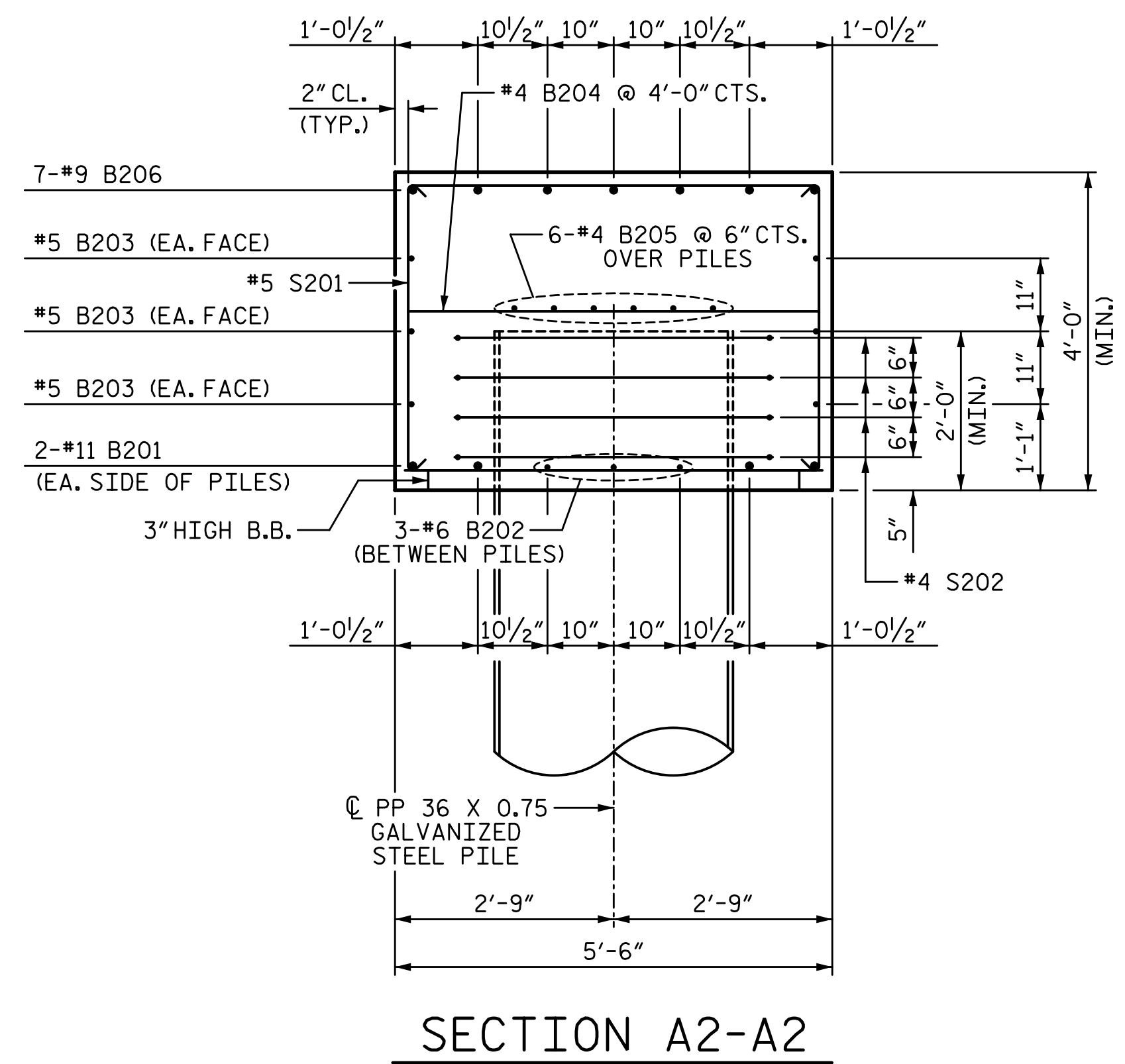
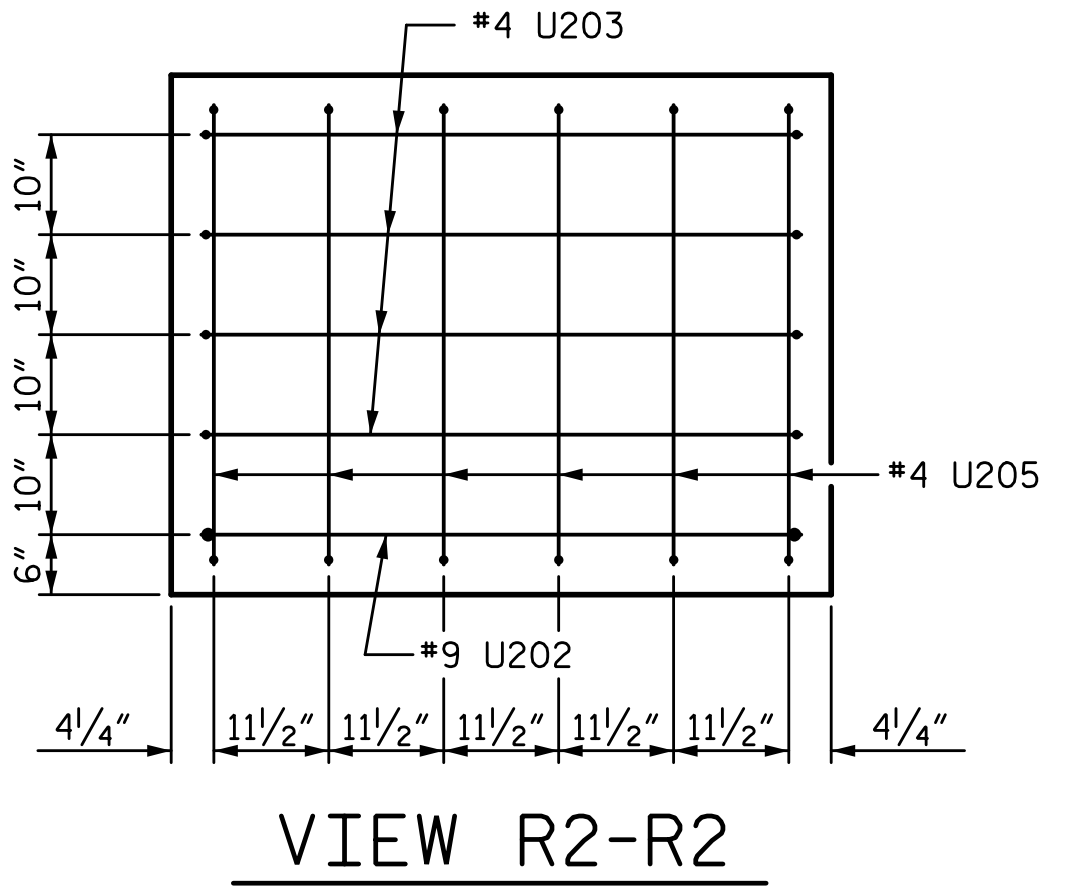
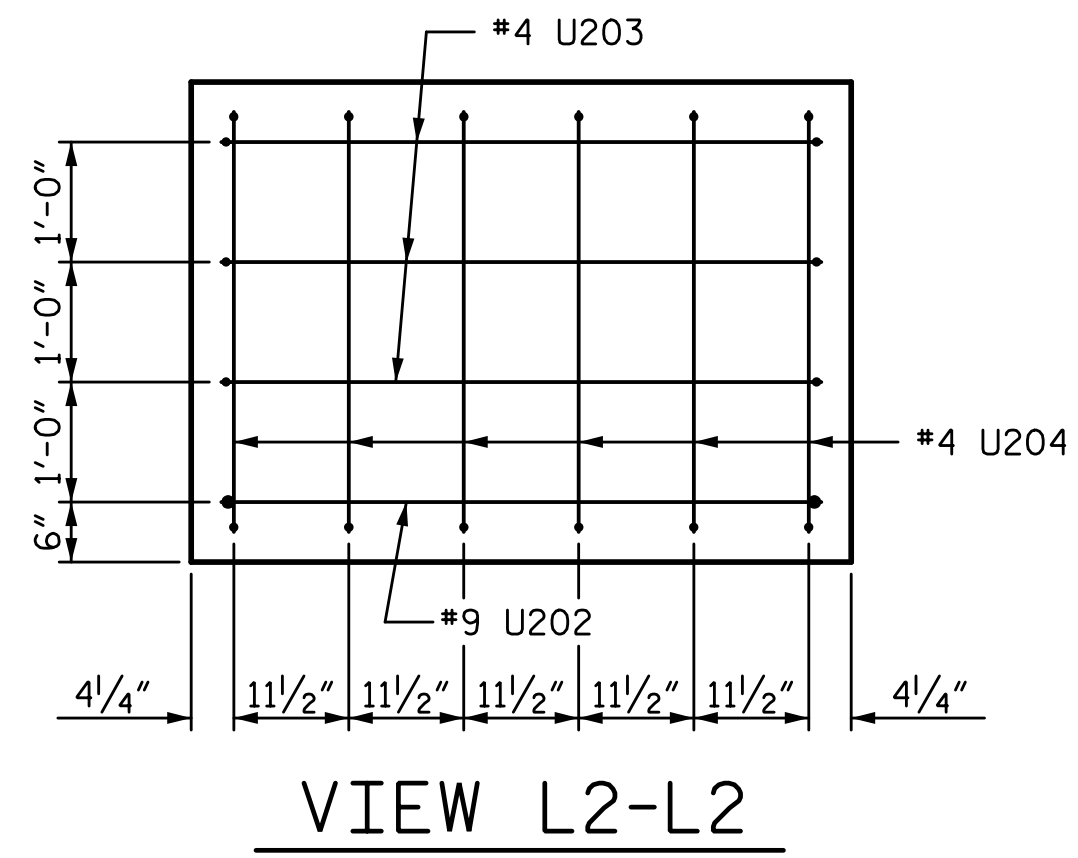
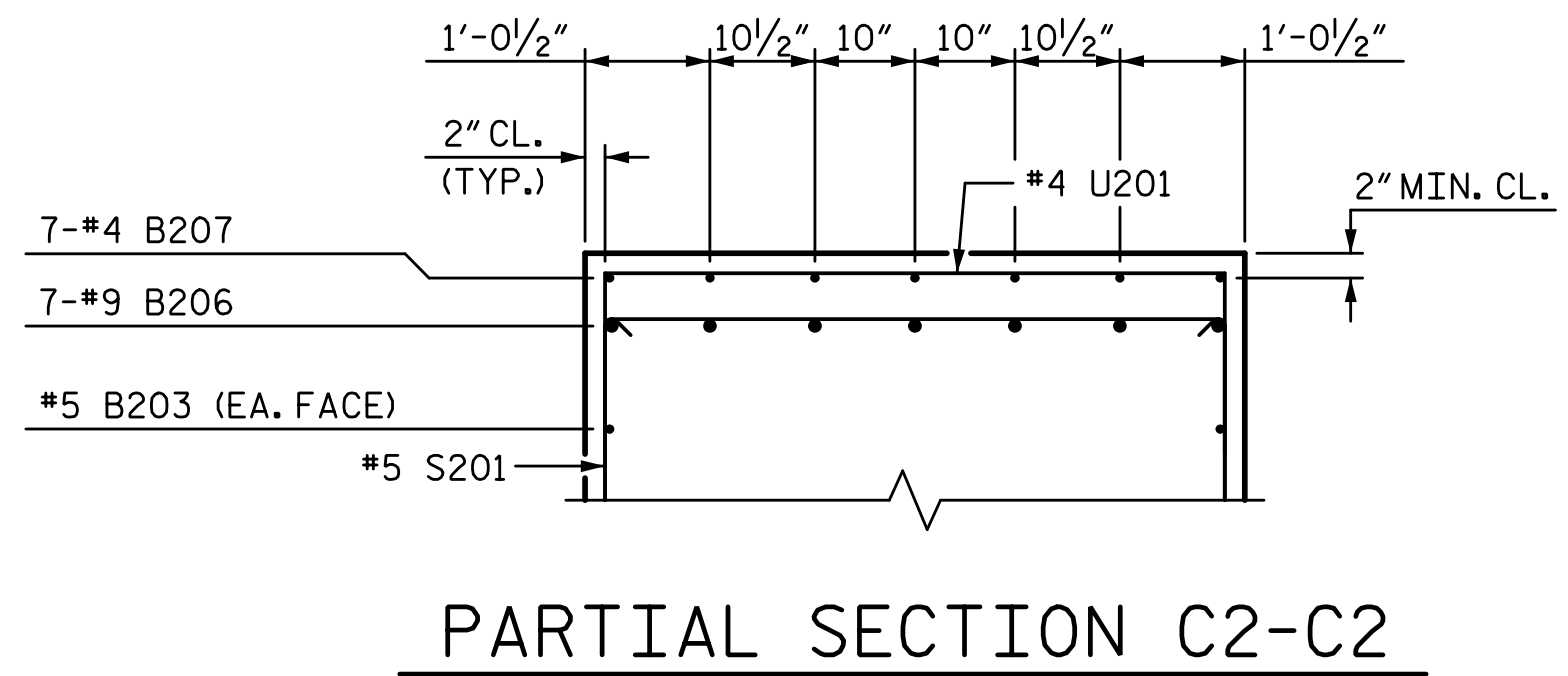


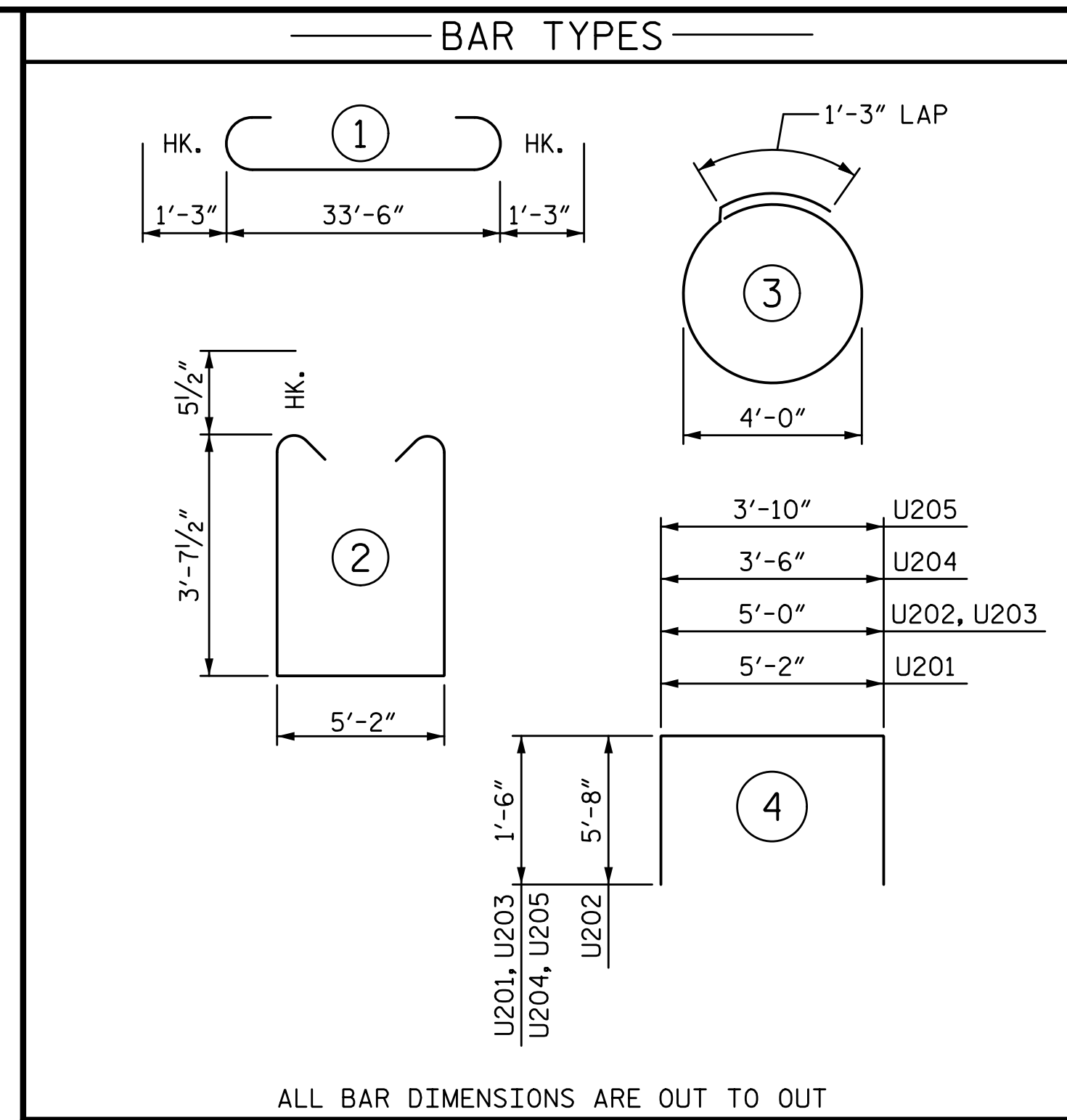
3/18/2022 11:06:46 AM G:\Projects\2020\Division 6 (Mott Mac - NV5)\I-5987B\Structures\Site 9 (L over Little Marsh Swamp)\Drawings\Final\I5987B_SMU_B1_770164.dgn



SECTION A2-A2



PARTIAL SECTION C2-C2



ALL BAR DIMENSIONS ARE OUT TO OUT

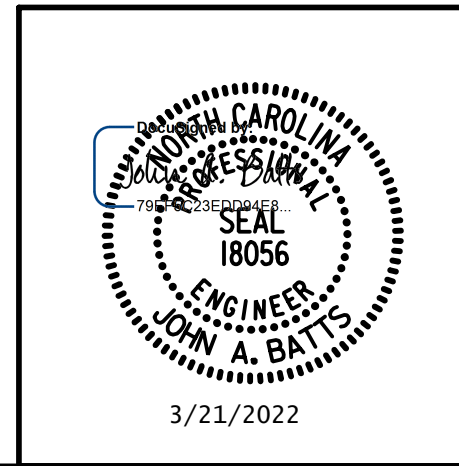
BILL OF MATERIAL					
BENT 1 - STAGE II					
BAR	NO.	SIZE	TYPE	LENGTH	WEIGHT
B201	4	#11	STR	33'-7"	714
B202	9	#6	STR	6'-1"	82
B203	6	#5	STR	33'-7"	210
B204	9	#4	STR	5'-2"	31
B205	6	#4	STR	33'-7"	135
B206	7	#9	1	36'-0"	857
B207	7	#4	STR	14'-5"	67
S201	28	#5	2	13'-4"	389
S202	16	#4	3	13'-10"	148
U201	43	#4	4	8'-2"	235
U202	2	#9	4	16'-4"	111
U203	7	#4	4	8'-0"	37
U204	6	#4	4	6'-6"	26
U205	6	#4	4	6'-10"	27
TOTAL REINFORCING STEEL					3069 LB
TOTAL CLASS A CONCRETE ***					26.9 CY

*** CONCRETE DISPLACED BY THE PP 36 X 0.75 GALVANIZED STEEL PILES HAS BEEN DEDUCTED FROM THE CONCRETE QUANTITY.

PROJECT NO. I-5987B
ROBESON COUNTY
 STATION: 803+15.00 -L-
 SHEET 4 OF 6

STATE OF NORTH CAROLINA
 DEPARTMENT OF TRANSPORTATION
 RALEIGH
 SUBSTRUCTURE

BENT 1
 STAGE II



W WGI
 5640 Dillard Drive, Suite 200
 Cary, NC 27518
 LICENSURE NO. C-4434

REVISIONS						SHEET NO.
NO.	BY:	DATE:	NO.	BY:	DATE:	S9-54
1			3			TOTAL SHEETS
2			4			69

DRAWN BY: T. BANKOVICH DATE: 3-22
 CHECKED BY: J.A. BATTS DATE: 3-22
 DESIGN ENGINEER OF RECORD: J.A. BATTS DATE: 3-22

DOCUMENT NOT CONSIDERED FINAL
 UNLESS ALL SIGNATURES COMPLETED