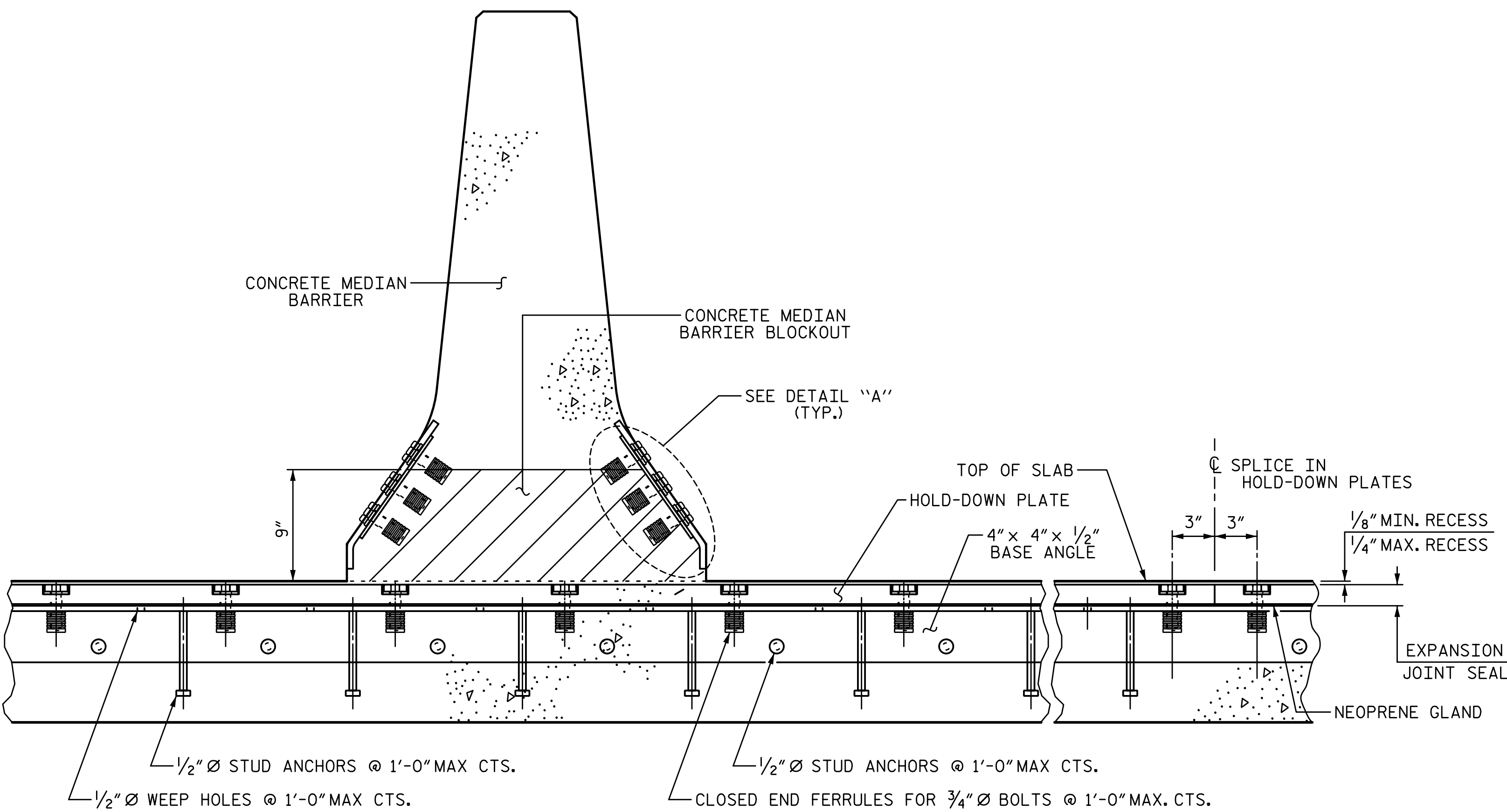
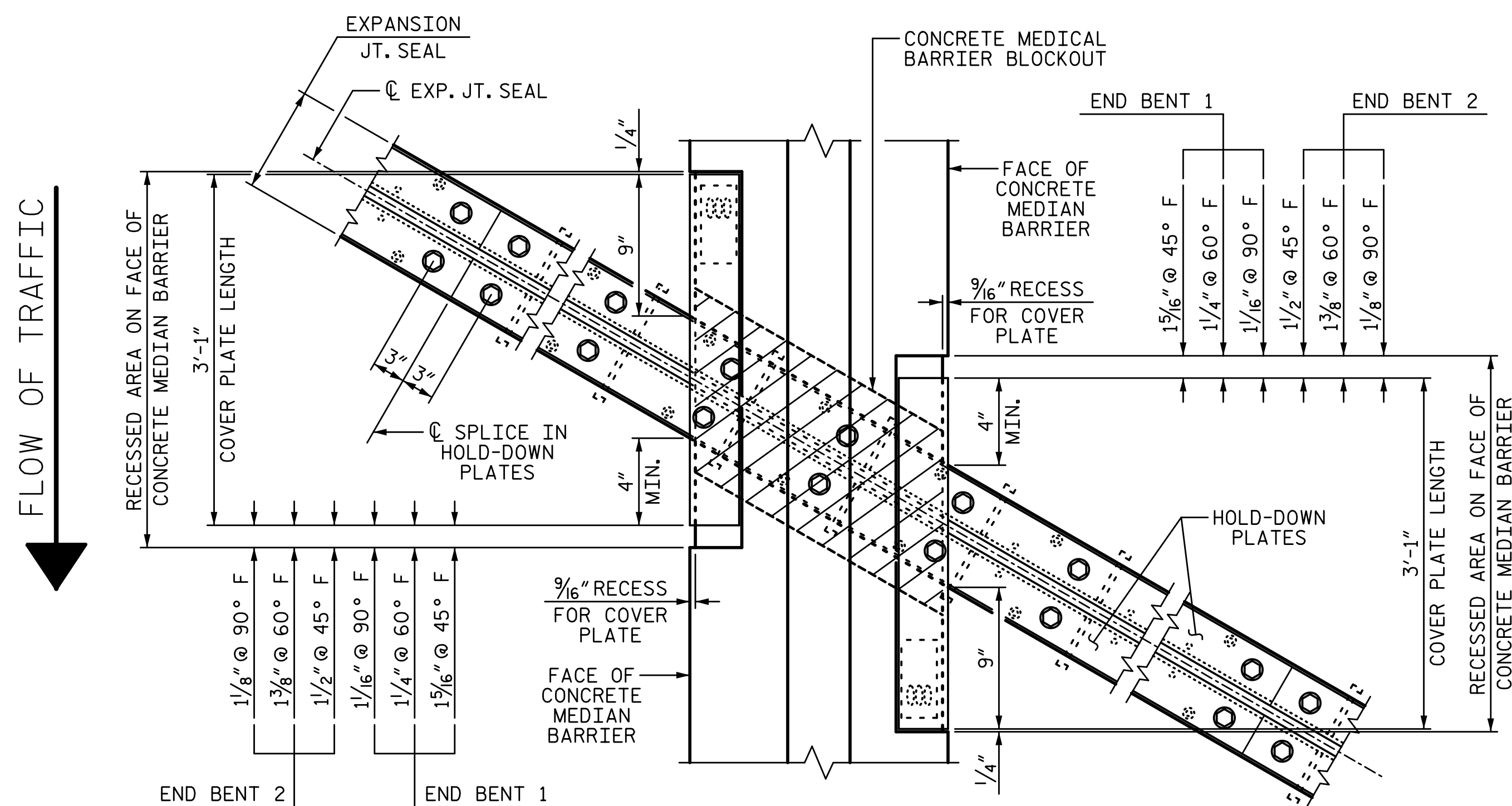


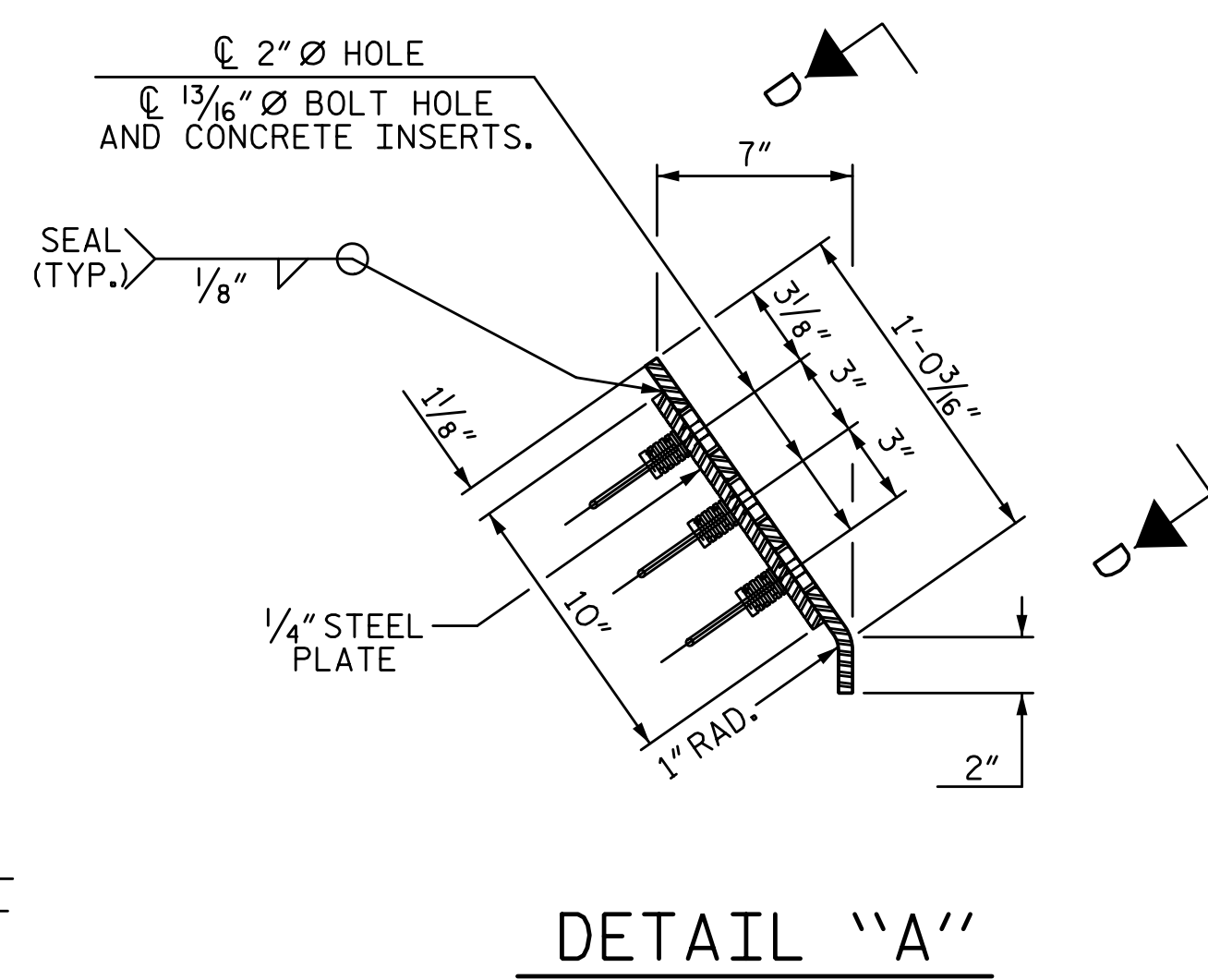
3/18/2022 11:06:36 AM G:\Projects\2020\Division 6 (Mott Mac - NV5)\I-5987B\Structures\Site 9 (L over Little Marsh Swamp)\Drawings\Final\I5987B_SMU_JT_770164.dgn



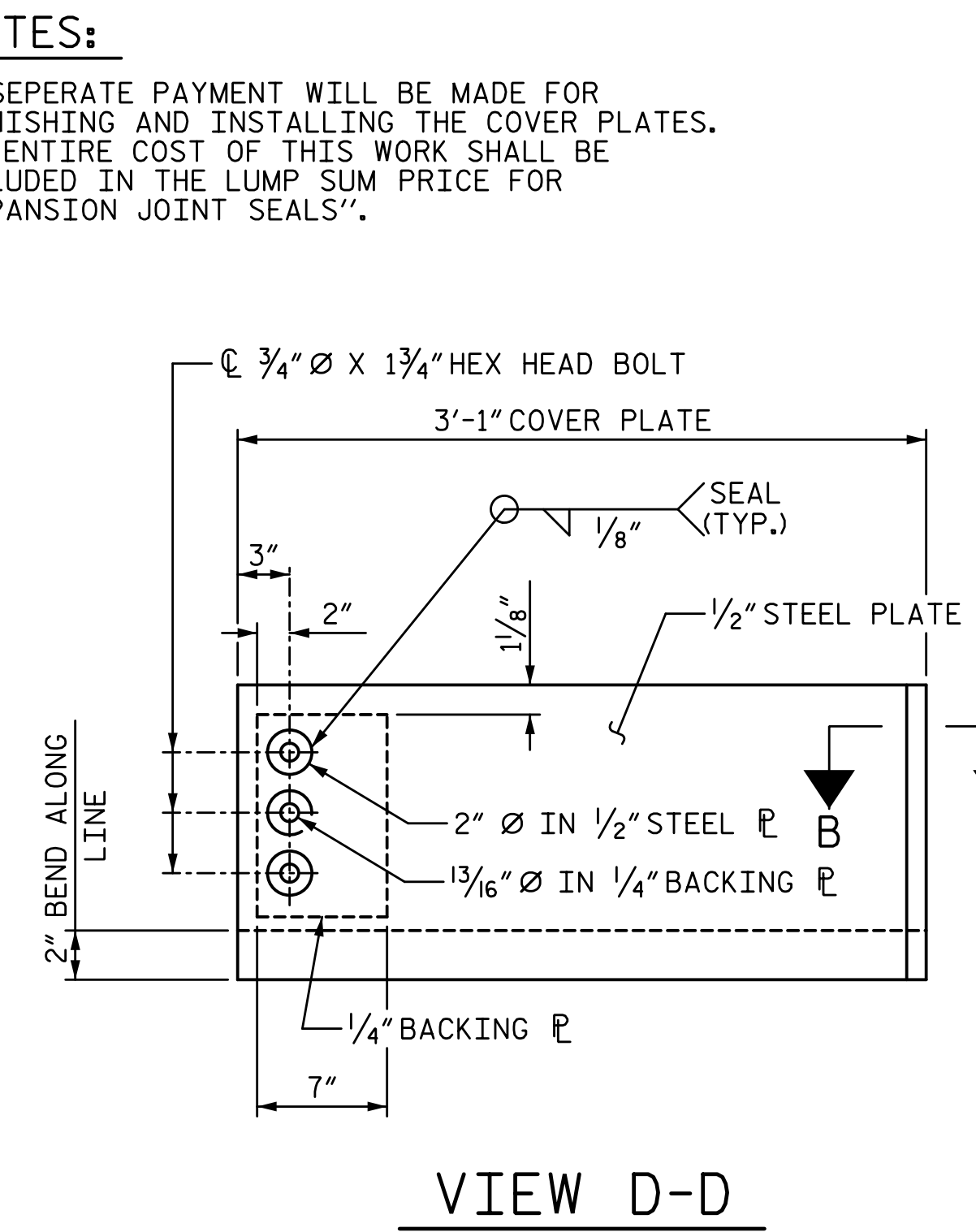
SECTION THRU MEDIAN BARRIER NORMAL TO JOINT



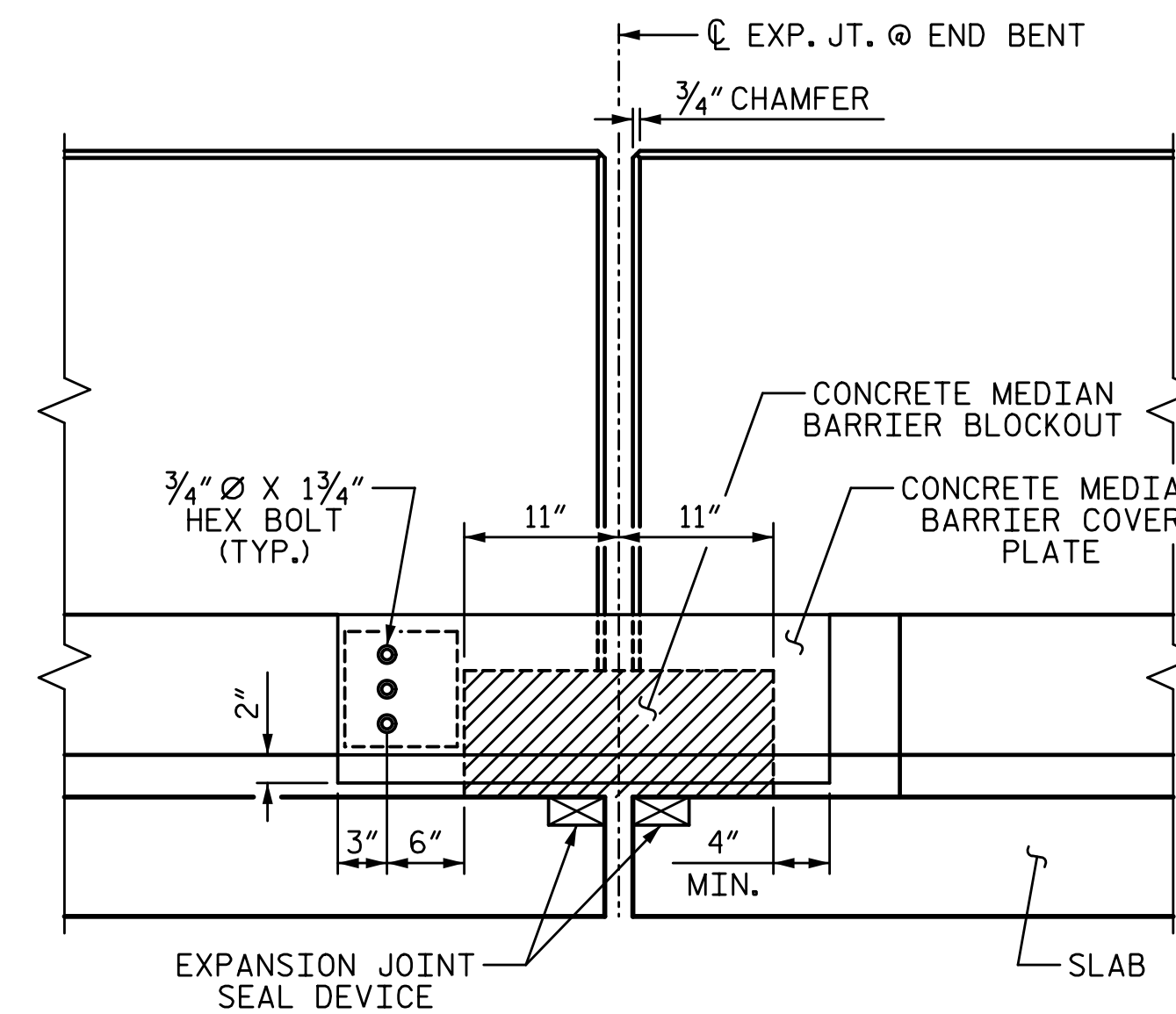
PLAN OF EXPANSION JOINT SEAL AT MEDIAN BARRIER



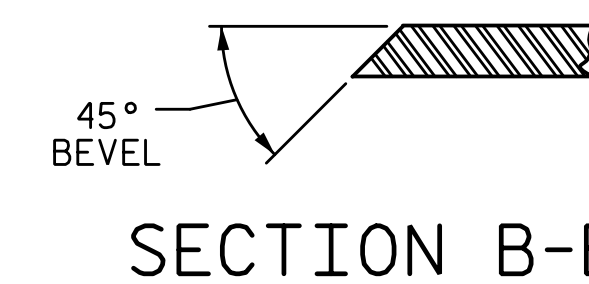
DETAIL "A"



VIEW D-D



ELEVATION AT EXPANSION JOINT



SECTION B-B

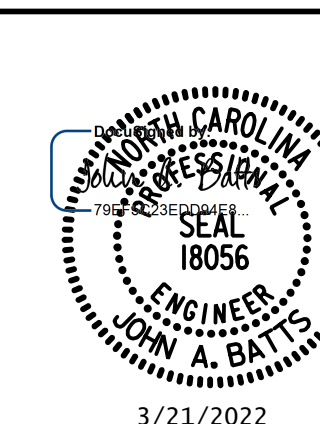
PROJECT NO. I-5987B
ROBESON COUNTY
 STATION: 803+15.00 -L-

SHEET 3 OF 3

DRAWN BY: S.D. COOPER DATE: 3-22
 CHECKED BY: J.A. BATTS DATE: 3-22
 DESIGN ENGINEER OF RECORD: J.A. BATTS DATE: 3-22



LICENSURE NO. C-4434



3/21/2022

STATE OF NORTH CAROLINA
 DEPARTMENT OF TRANSPORTATION
 RALEIGH
 SUPERSTRUCTURE
 EXPANSION JOINT
 SEAL DETAILS
 FOR CONCRETE MEDIAN
 BARRIER

REVISIONS

NO.	BY:	DATE:	NO.	BY:	DATE:
1			3		
2			4		

SHEET NO.
 S9-40
 TOTAL SHEETS
 69

DOCUMENT NOT CONSIDERED FINAL
 UNLESS ALL SIGNATURES COMPLETED