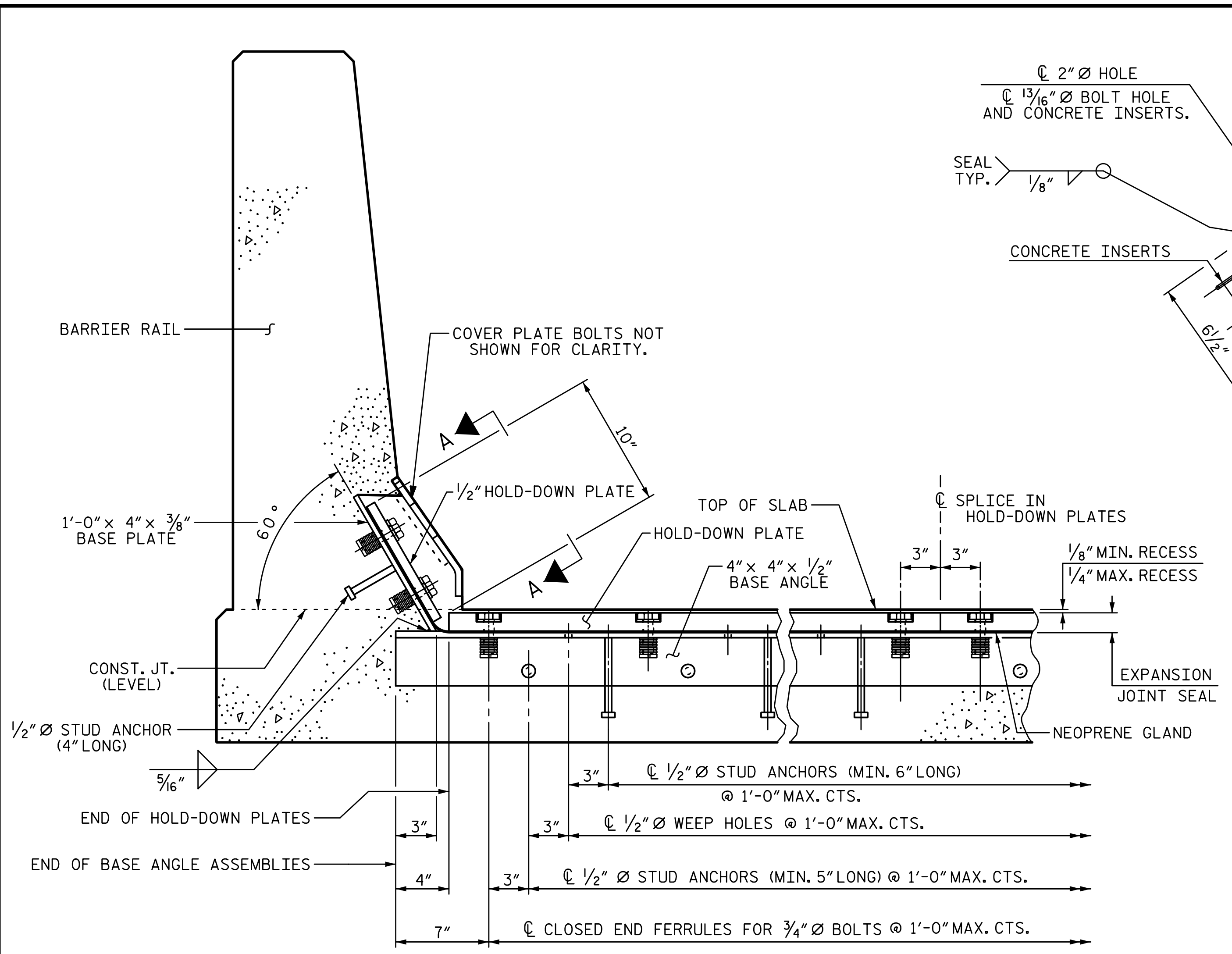
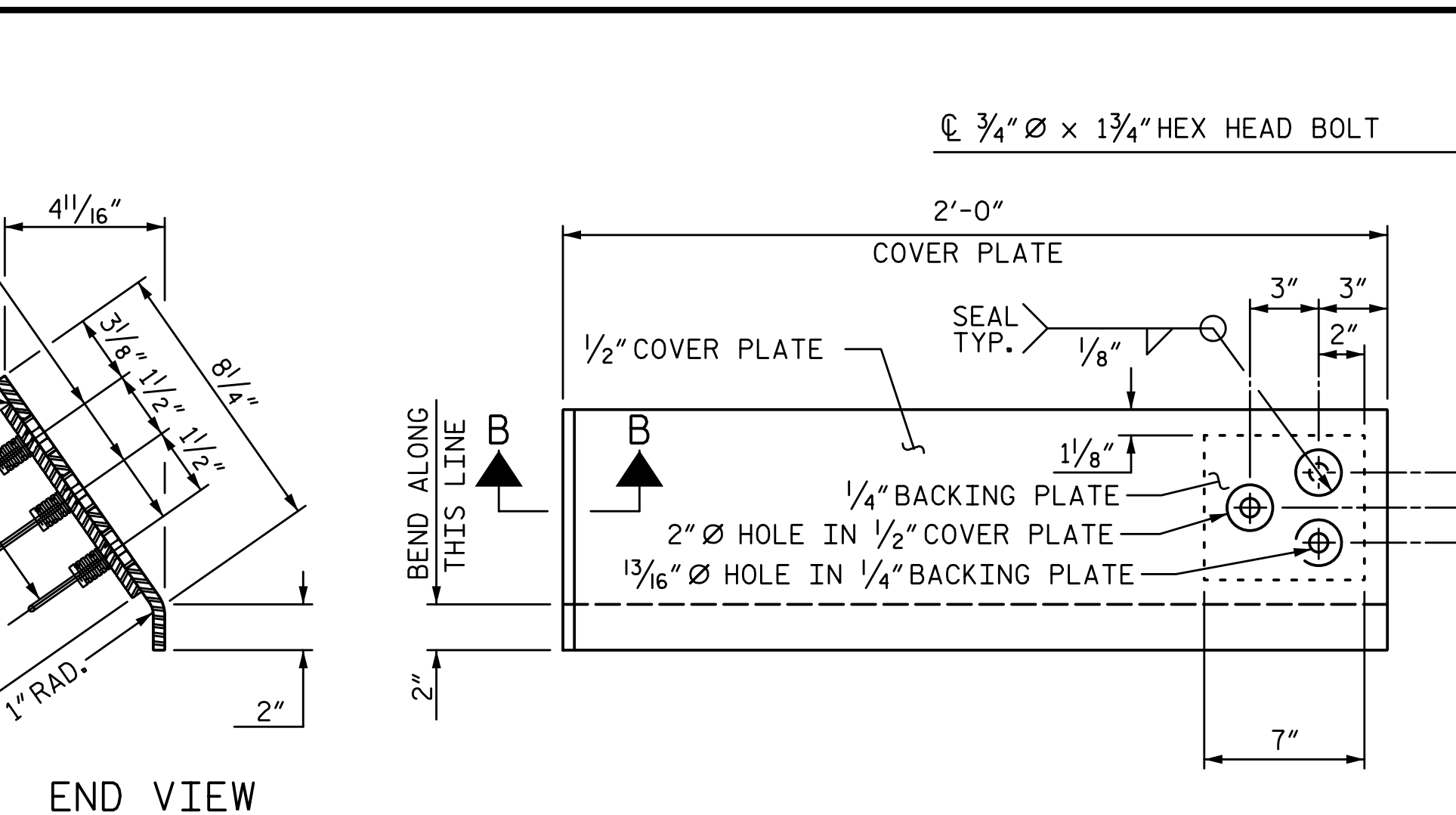


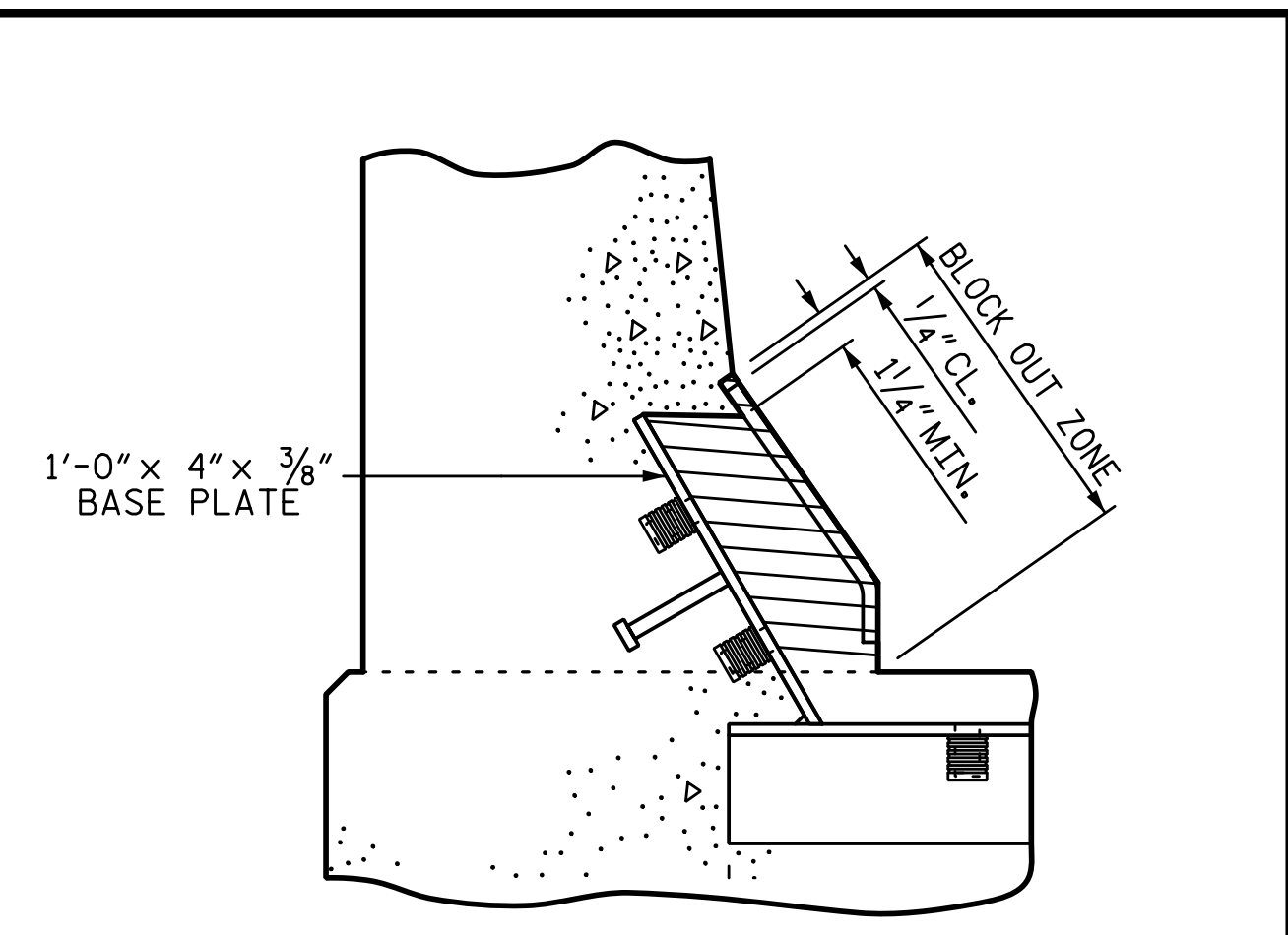
3/18/2022 11:06:36 AM G:\Projects\2020\Division 6 (Mott Mac - NV5)\I-5987B\Structures\Site 9 (over Little Marsh Swamp)\Drawings\Final\I5987B\_SMU\_JT\_770164.dgn



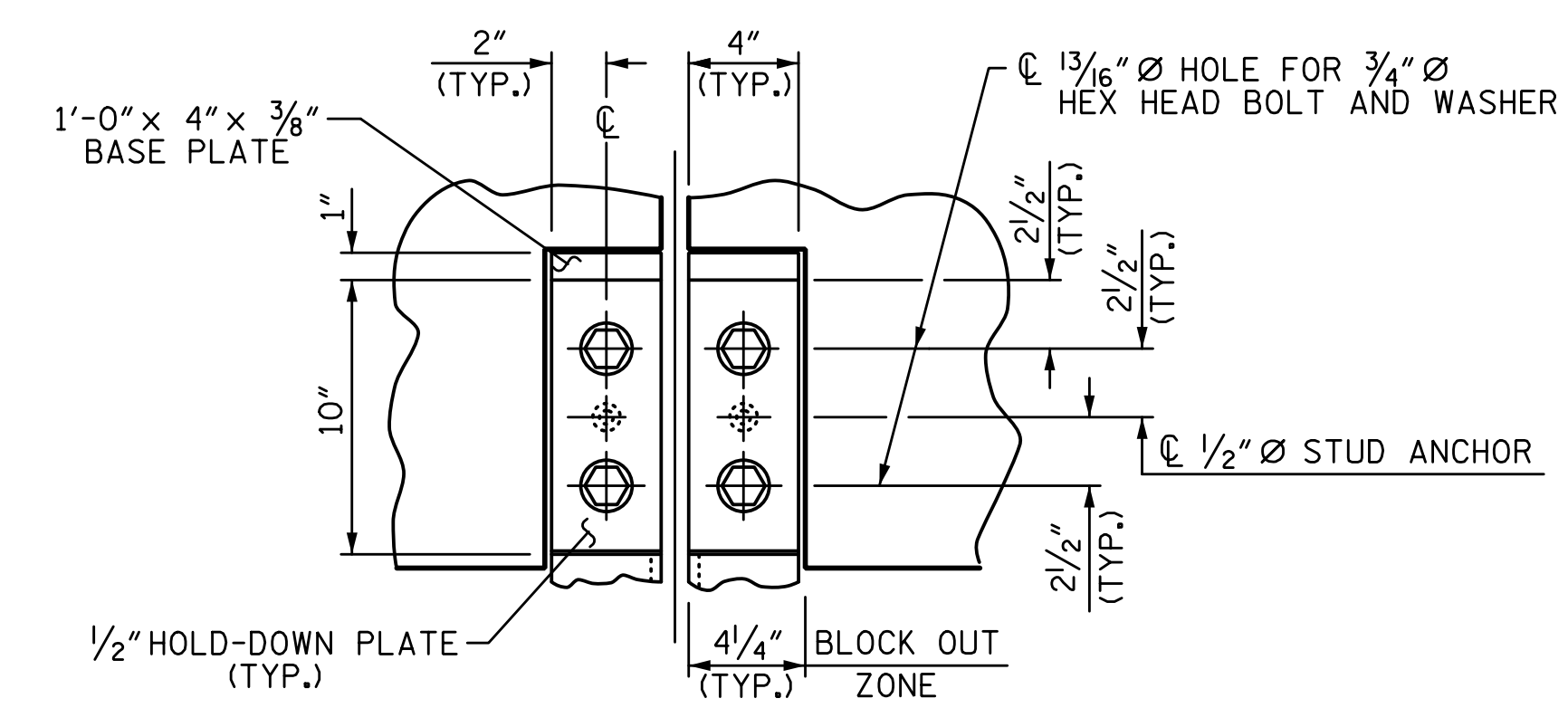
SECTION THRU RAIL NORMAL TO JOINT



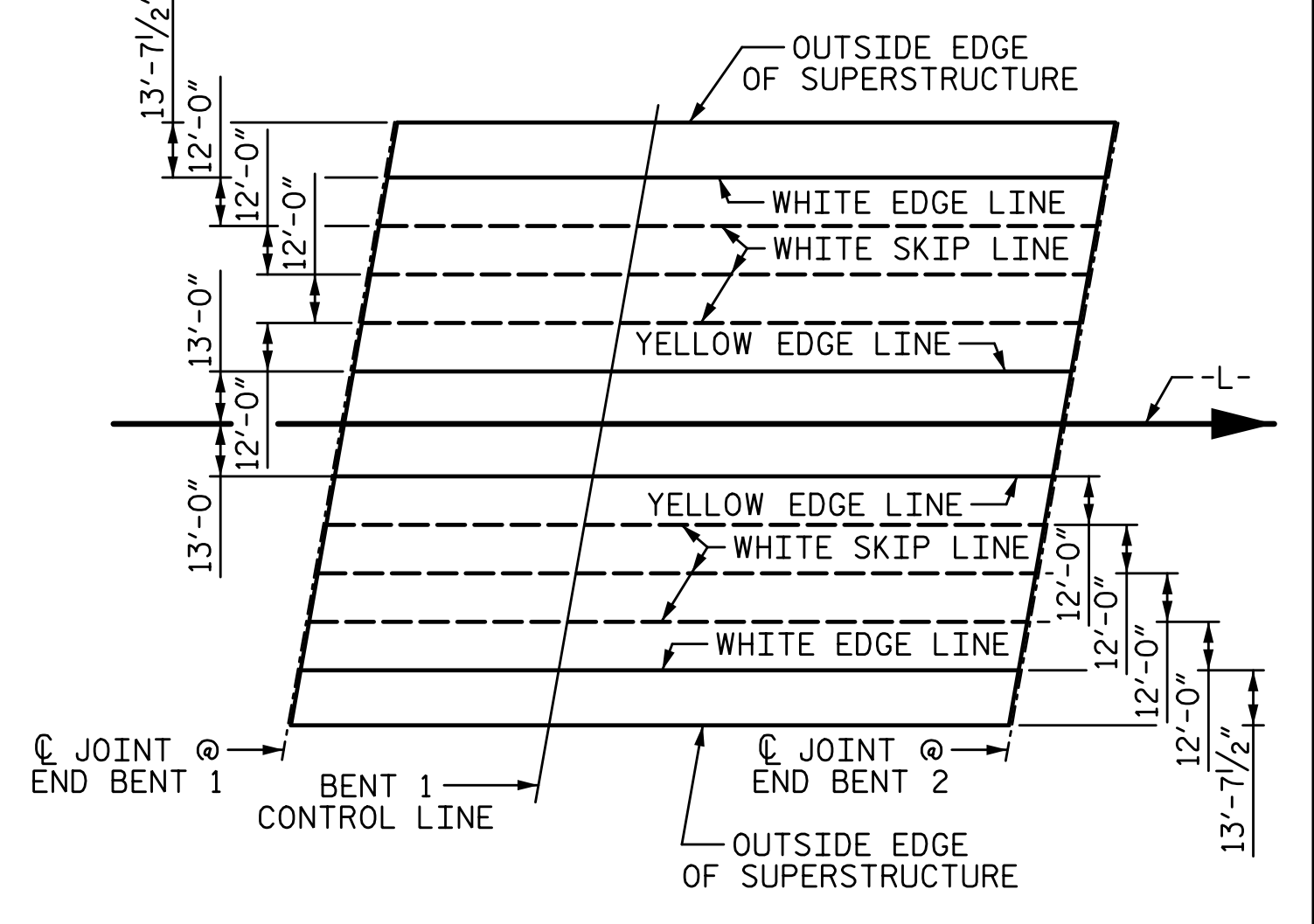
TYPE II - ELEVATION VIEW  
COVER PLATE DETAILS



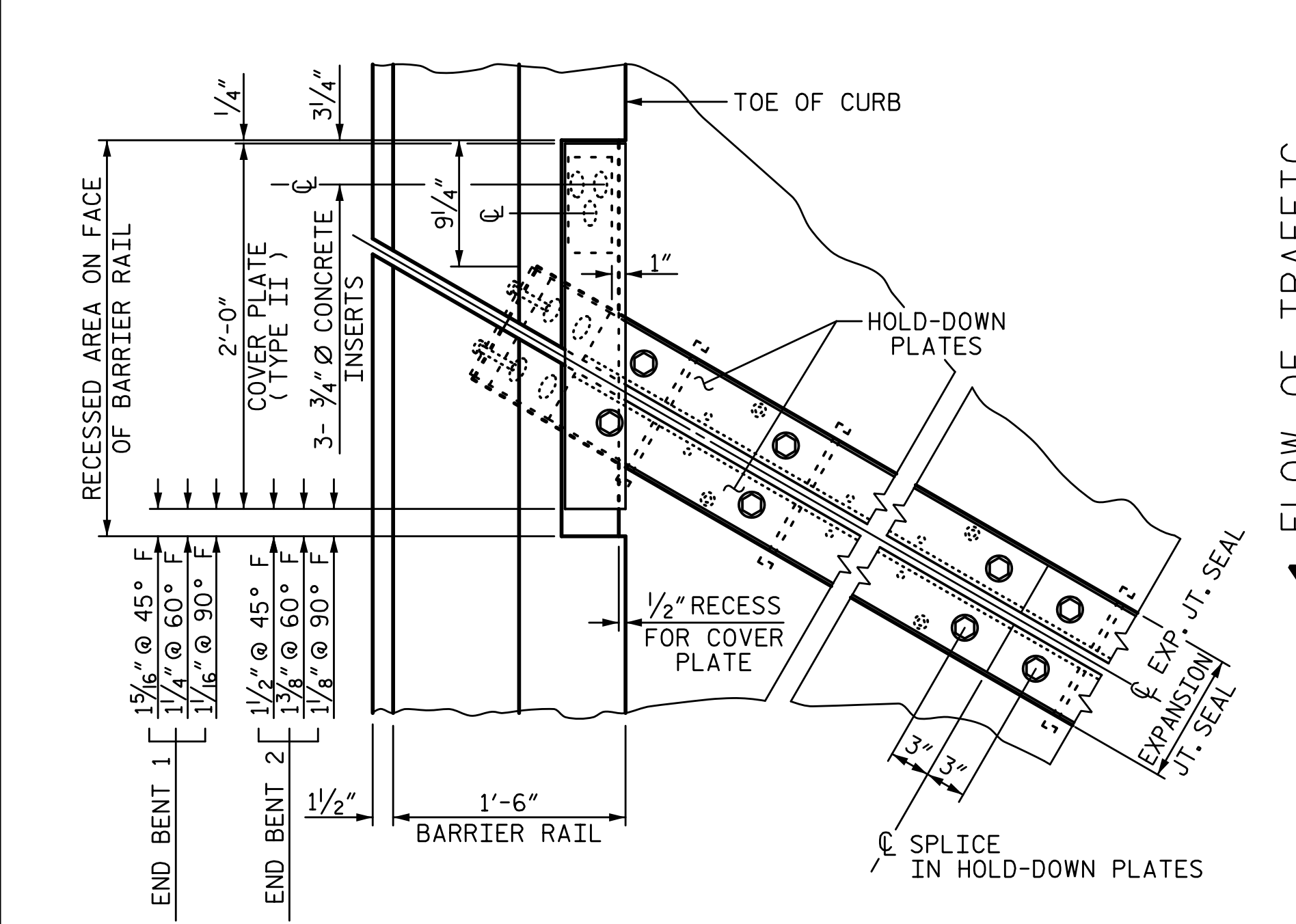
BLOCK OUT DETAIL  
SEE "SECTION A-A" FOR OTHER DETAILS.



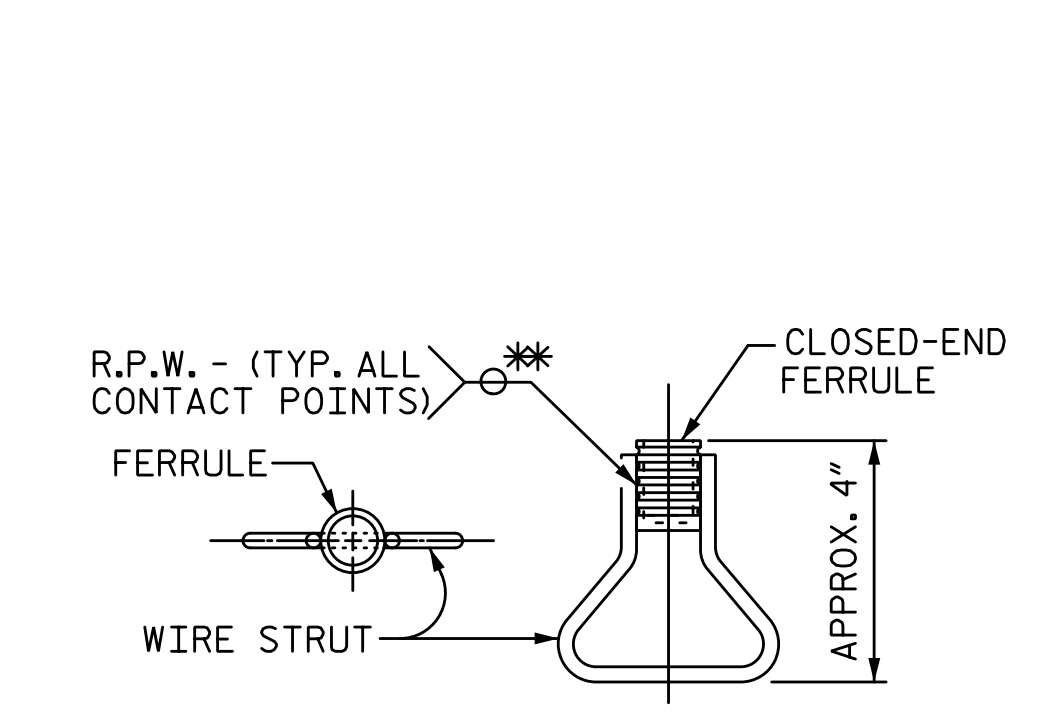
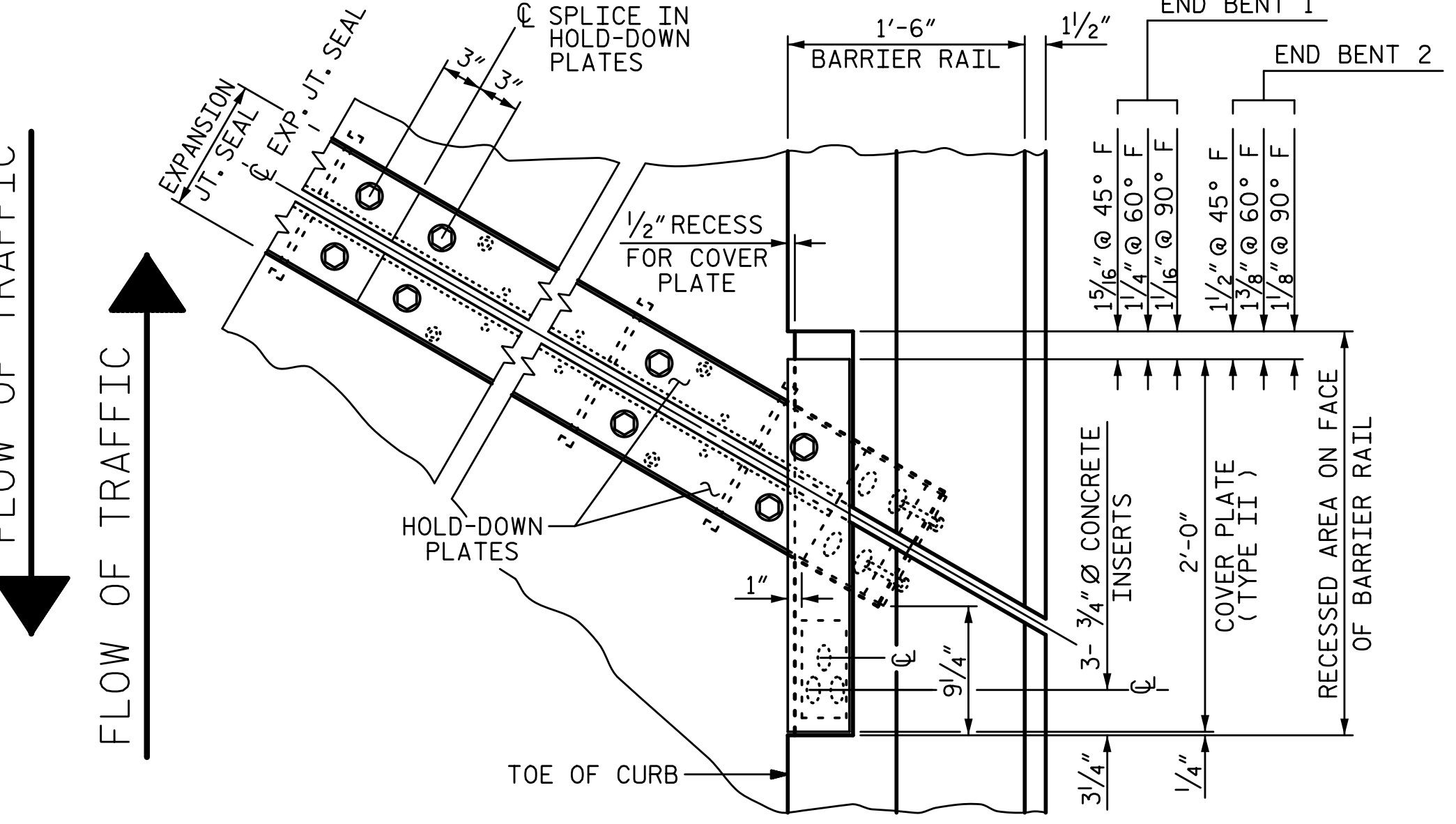
SECTION A-A



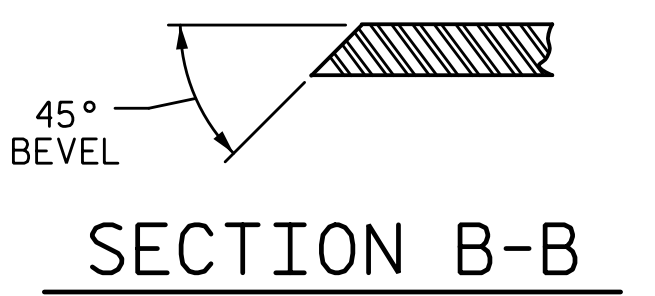
PAVEMENT MARKING ALIGNMENT



PLAN OF EXPANSION JOINT SEAL



CONCRETE INSERT  
PLAN ELEVATION  
\* EACH WELDED ATTACHMENT OF WIRE TO FERRULE SHALL DEVELOP THE TENSILE STRENGTH OF THE WIRE.



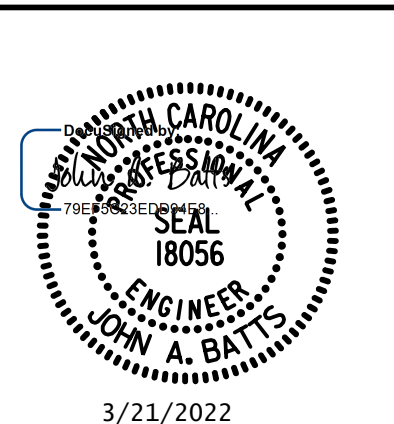
SECTION B-B

PROJECT NO. I-5987B  
ROBESON COUNTY  
STATION: 803+15.00 -L-

SHEET 2 OF 3

DRAWN BY: S.D. COOPER DATE: 3-22  
CHECKED BY: J.A. BATTS DATE: 3-22  
DESIGN ENGINEER OF RECORD: J.A. BATTS DATE: 3-22

**WGI**  
5640 Dillard Drive, Suite 200  
Cary, NC 27518  
LICENSURE NO. C-4434



STATE OF NORTH CAROLINA  
DEPARTMENT OF TRANSPORTATION  
RALEIGH  
SUPERSTRUCTURE  
EXPANSION JOINT  
SEAL DETAILS  
FOR BARRIER RAIL

REVISIONS						SHEET NO.
NO.	BY:	DATE:	NO.	BY:	DATE:	S9-39
1			3			TOTAL SHEETS
2			4			69

DOCUMENT NOT CONSIDERED FINAL  
UNLESS ALL SIGNATURES COMPLETED