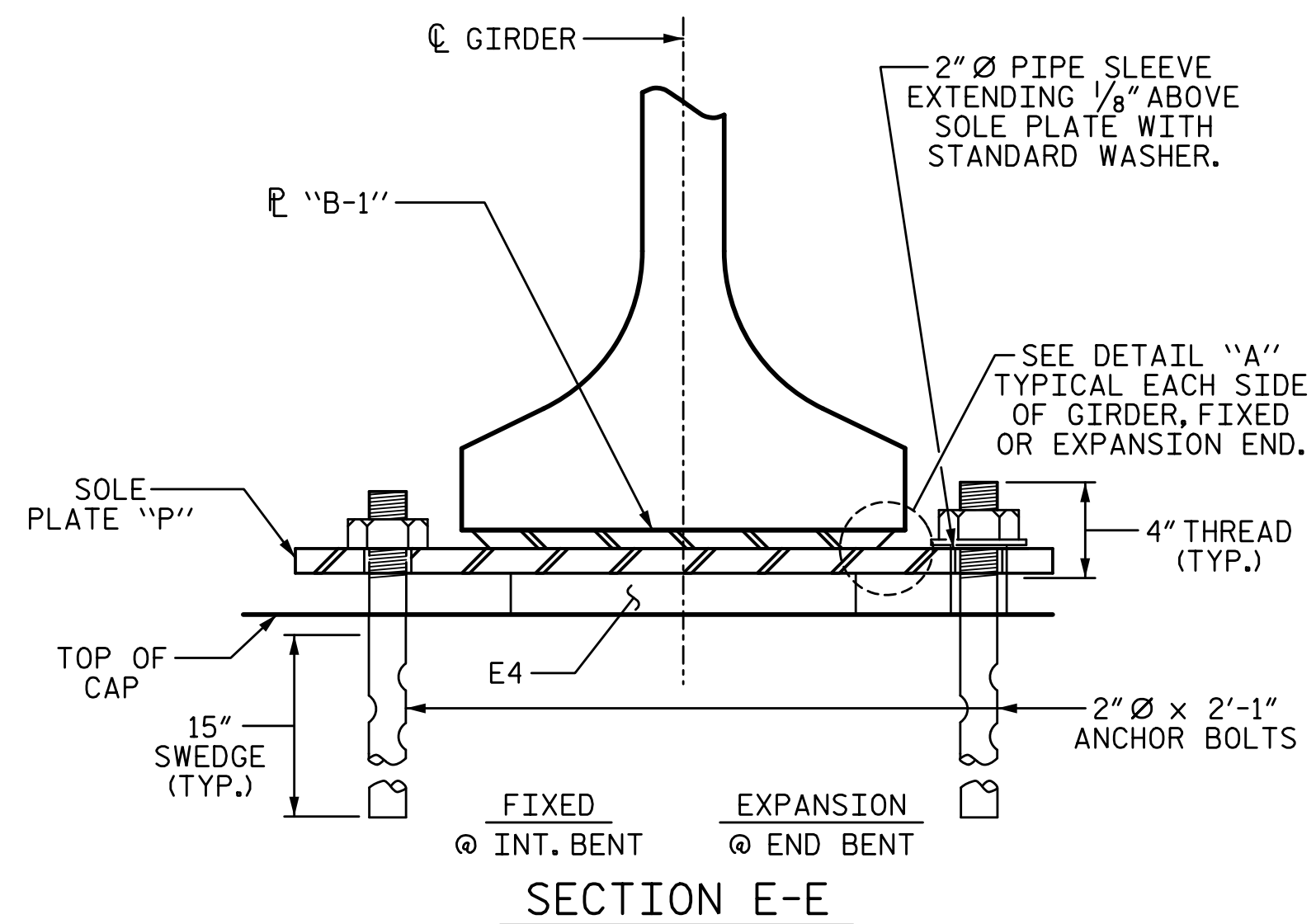
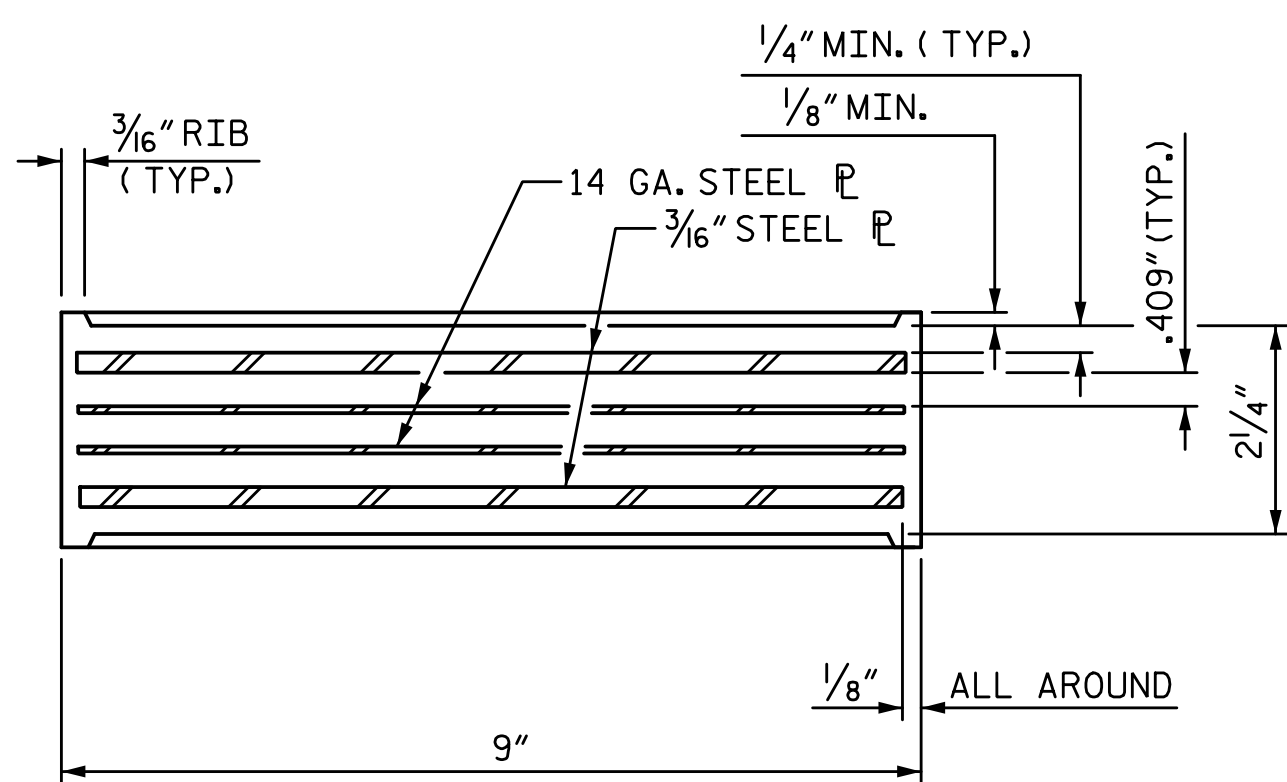


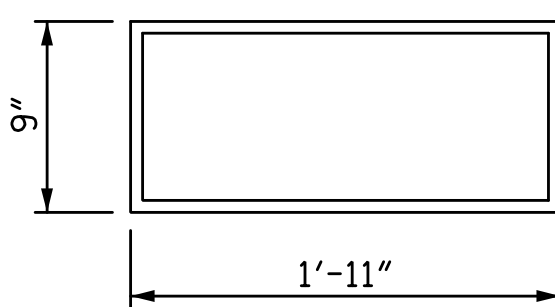
3/18/2022 11:06:31 AM G:\Projects\2020\Division 6 (Mott) Mac - NV5\I-5987B\Structures\Site 9 (L over Little Marsh Swamp)\Drawings\Final\I5987B\_SMU\_BG\_770164.dgn



SECTION E-E



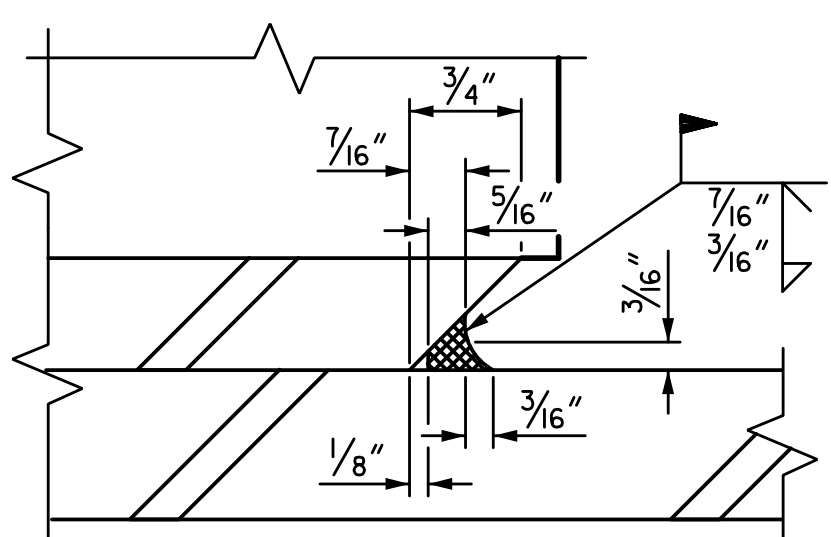
TYPICAL SECTION OF ELASTOMERIC BEARINGS



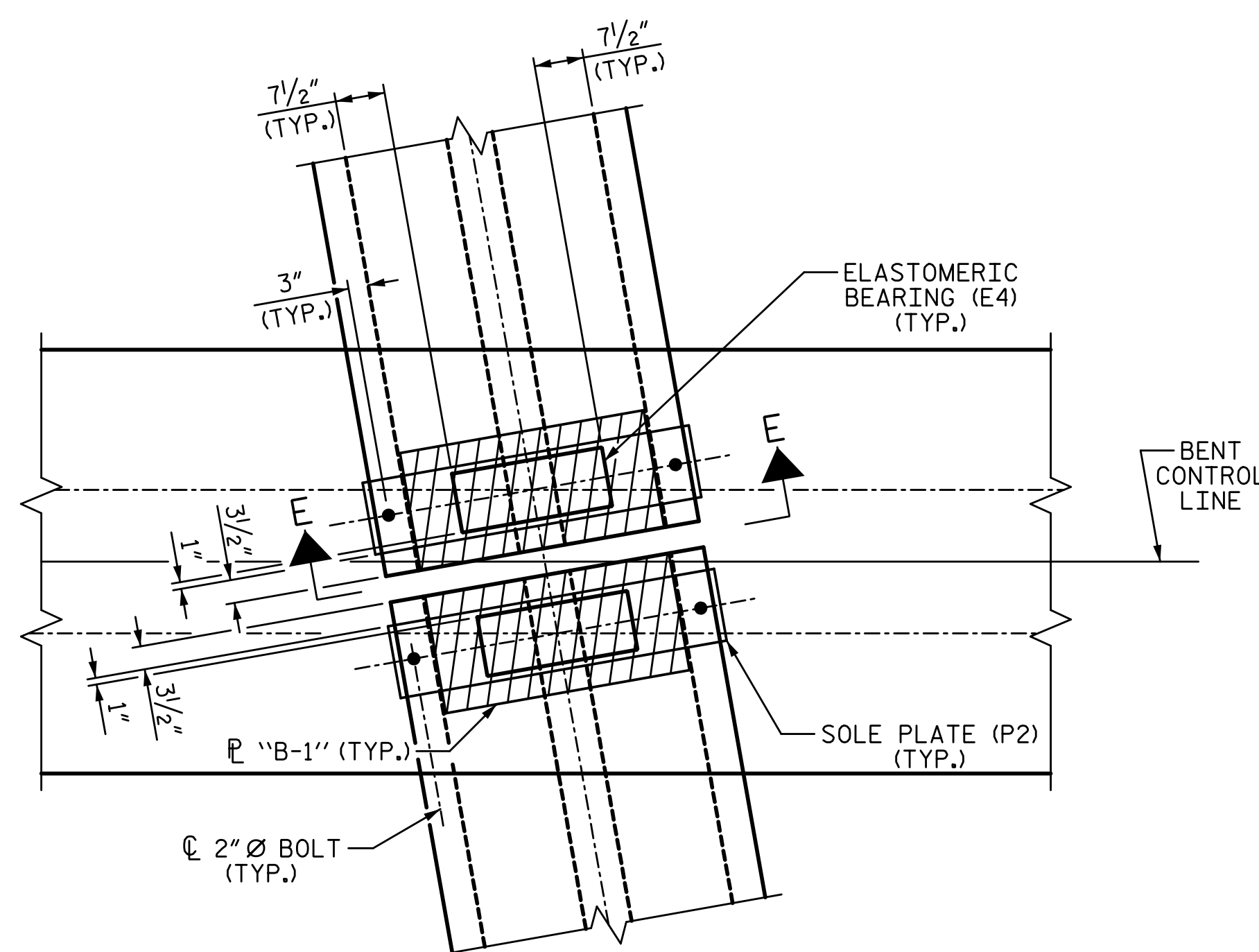
E4 (60 REQ'D)

PLAN VIEW OF ELASTOMERIC BEARING

TYPE V

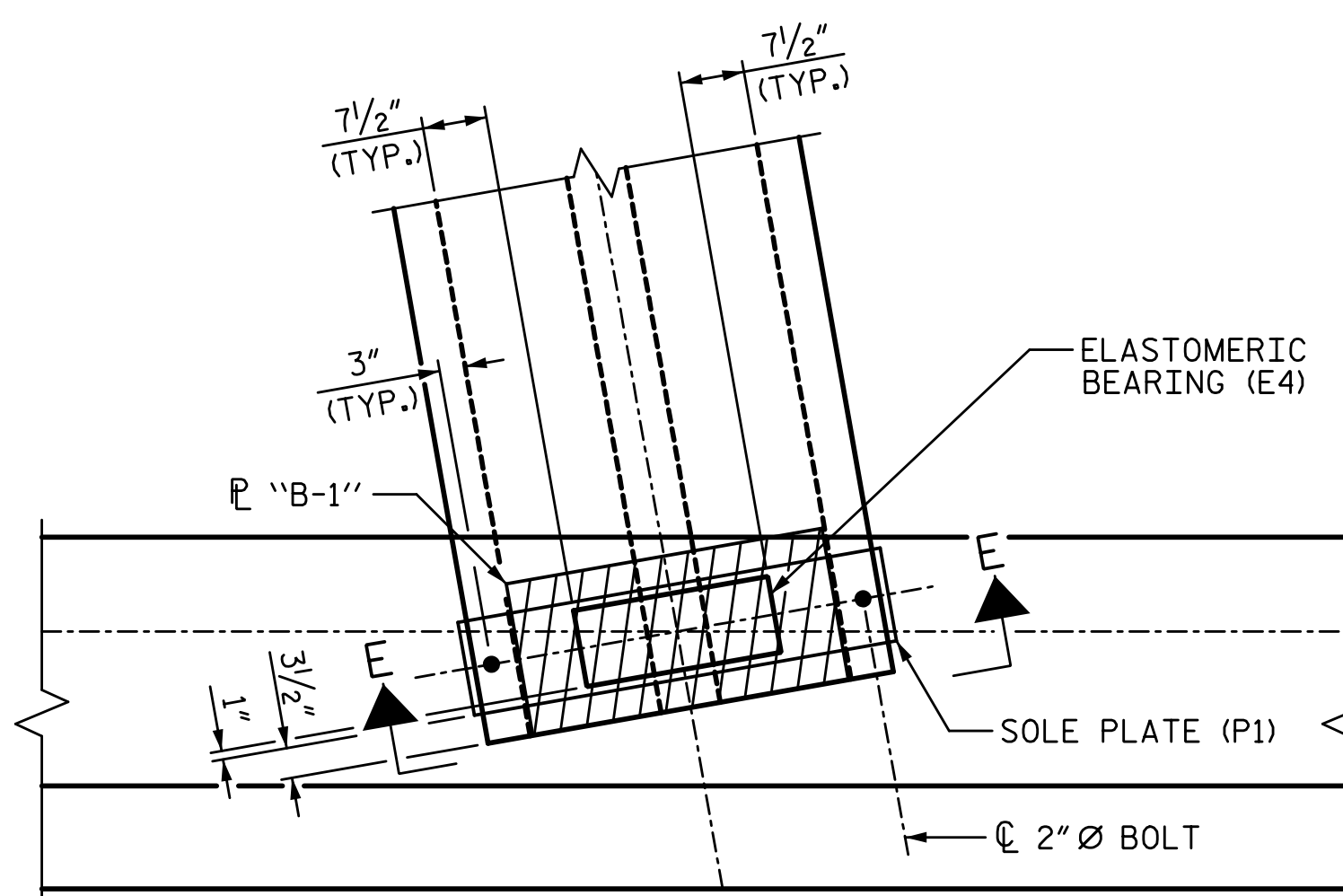


DETAIL "A"



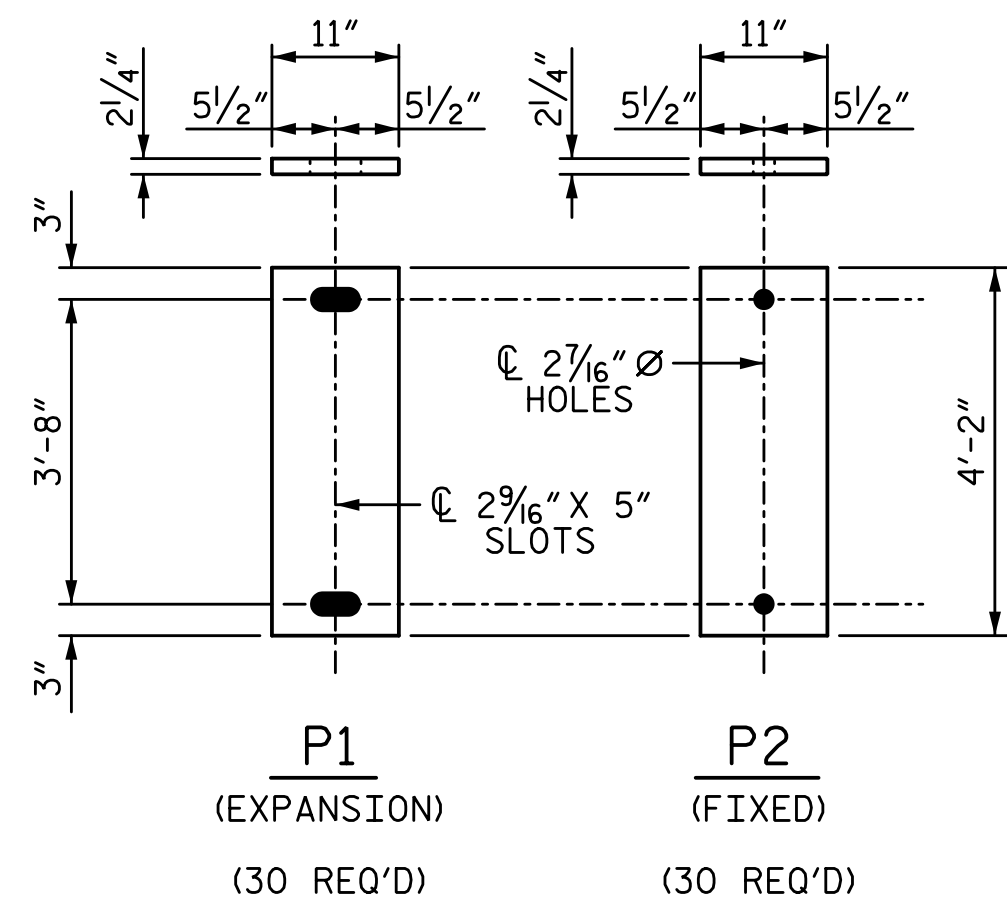
TYPICAL PLAN

(SHOWING LINK SLAB BENT)



TYPICAL PLAN

(SHOWING END BENT)



SOLE PLATE DETAILS ("P")

**NOTES:**

AT ALL FIXED POINTS OF SUPPORT, NUTS FOR ANCHOR BOLTS ARE TO BE TIGHTENED FINGER TIGHT AND THEN BACKED OFF 1/2" TURN. THE THREAD OF THE NUT AND BOLT SHALL THEN BE BURRED WITH A SHARP POINTED TOOL.

THE 2" Ø PIPE SLEEVE SHALL BE CUT FROM SCHEDULE 40 PVC PLASTIC PIPE. THE PVC PLASTIC PIPE SHALL MEET THE REQUIREMENTS OF ASTM D1785.

STEEL SOLE PLATES, ANCHOR BOLTS, NUTS, AND WASHERS SHALL BE GALVANIZED IN ACCORDANCE WITH THE STANDARD SPECIFICATIONS.

PRIOR TO WELDING, GRIND THE GALVANIZED SURFACE OF THE PORTION OF THE EMBEDDED PLATE AND SOLE PLATE THAT ARE TO BE WELDED. AFTER WELDING, DAMAGED GALVANIZED SURFACES SHALL BE REPAIRED IN ACCORDANCE WITH THE STANDARD SPECIFICATIONS.

WHEN WELDING THE SOLE PLATE TO THE EMBEDDED PLATE IN THE GIRDER, USE TEMPERATURE INDICATING WAX PENS, OR OTHER SUITABLE MEANS, TO ENSURE THAT THE TEMPERATURE OF THE SOLE PLATE DOES NOT EXCEED 300°F. TEMPERATURES ABOVE THIS MAY DAMAGE THE ELASTOMER.

SOLE PLATE "P", BOLTS, NUTS, WASHERS, AND PIPE SLEEVE SHALL BE INCLUDED IN THE PAY ITEM FOR PRESTRESSED CONCRETE GIRDERS.

ANCHOR BOLTS SHALL MEET THE REQUIREMENTS OF ASTM A449. NUTS SHALL MEET THE REQUIREMENTS OF AASHTO M291-DH OR AASHTO M292-2H. WASHERS SHALL MEET THE REQUIREMENTS OF AASHTO M293. NO SHOP DRAWINGS ARE REQUIRED FOR ANCHOR BOLTS, NUTS AND WASHERS. SHOP INSPECTION IS REQUIRED.

ALL SURFACES OF BEARING PLATES SHALL BE SMOOTH AND STRAIGHT.

THE ELASTOMER IN THE STEEL REINFORCED BEARINGS SHALL HAVE A SHEAR MODULUS OF 0.160 KSI, IN ACCORDANCE WITH AASHTO M251.

FOR STEEL REINFORCED ELASTOMERIC BEARINGS, SEE SPECIAL PROVISIONS.

ALL SOLE PLATES SHALL BE AASHTO M270 GRADE 36.

**MAXIMUM ALLOWABLE SERVICE LOADS**

**D.L.+L.L. (NO IMPACT)**

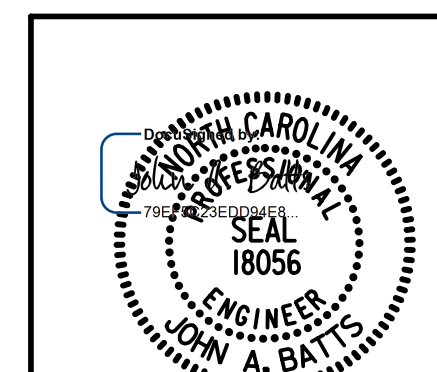
TYPE V	365 k
--------	-------

PROJECT NO. I-5987B  
ROBESON COUNTY  
 STATION: 803+15.00 -L-



5640 Dillard Drive, Suite 200  
 Cary, NC 27518

LICENSURE NO. C-4434



3/21/2022

STATE OF NORTH CAROLINA  
 DEPARTMENT OF TRANSPORTATION  
 RALEIGH  
 SUPERSTRUCTURE  
**ELASTOMERIC BEARING  
 DETAILS**

REVISIONS

NO.	BY:	DATE:	NO.	BY:	DATE:
1			3		
2			4		

SHEET NO.

S9-33

TOTAL SHEETS  
69

DRAWN BY: S.D. COOPER DATE: 3-22  
 CHECKED BY: J.A. BATTS DATE: 3-22  
 DESIGN ENGINEER OF RECORD: J.A. BATTS DATE: 3-22

**DOCUMENT NOT CONSIDERED FINAL  
 UNLESS ALL SIGNATURES COMPLETED**