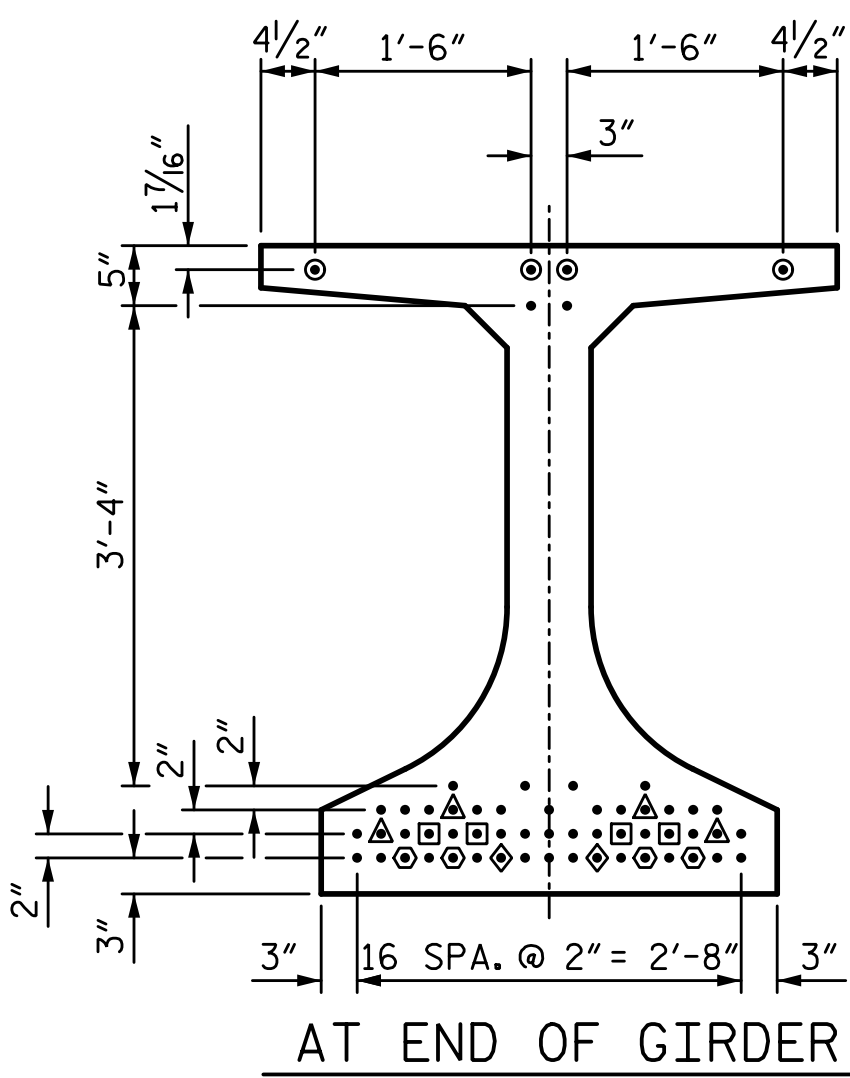
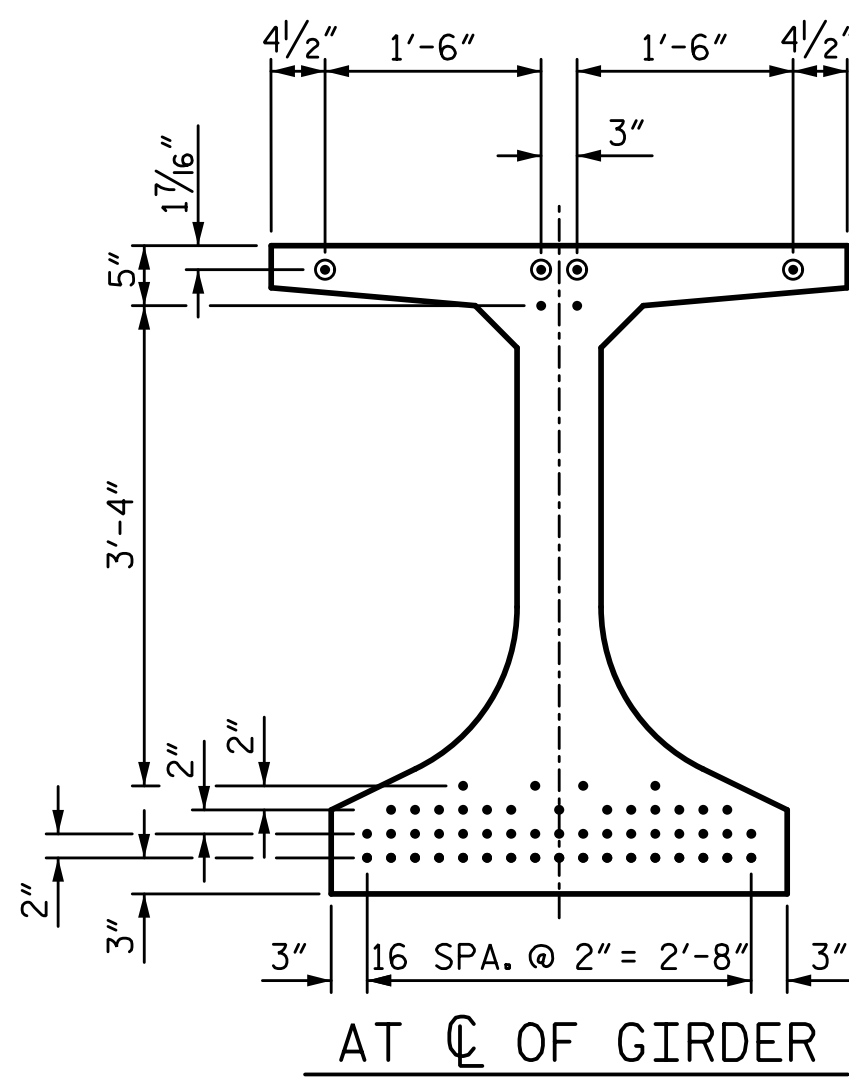


3/18/2022 11:06:27 AM G:\Projects\2020\Division 6 (Mott) Mac - NV5\I-5987B\Structures\Site 9 (L over Little Marsh Swamp)\Drawings\Final\I5987B_SMU.G_770164.dgn

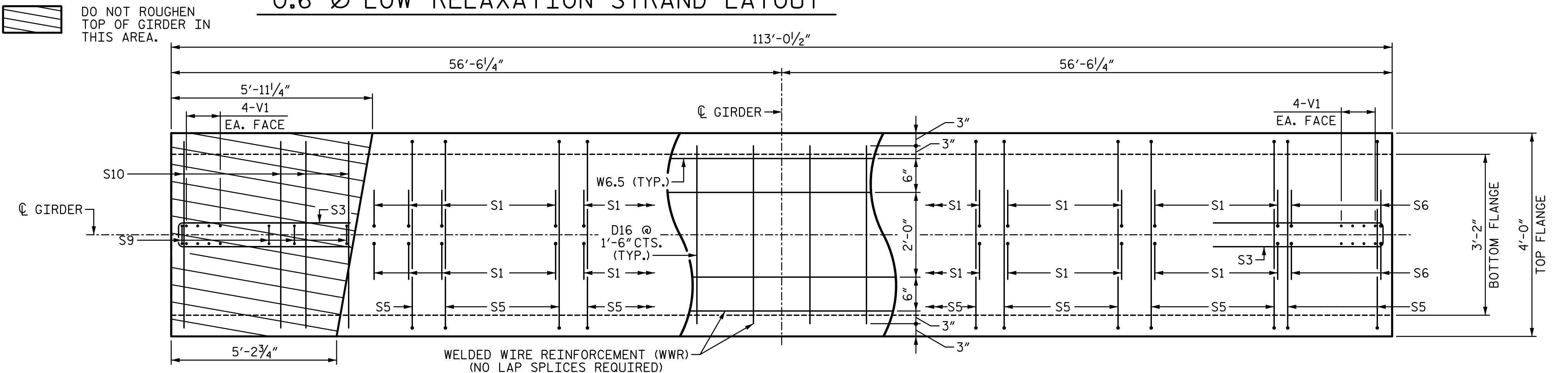


- DEBONDING LEGEND**
- FULLY BONDED STRANDS
 - ▲ STRANDS DEBONDED FOR 2'-0" FROM END OF GIRDER
 - STRANDS DEBONDED FOR 4'-0" FROM END OF GIRDER
 - ⊙ STRANDS DEBONDED FOR 6'-0" FROM END OF GIRDER
 - ◇ STRANDS DEBONDED FOR 8'-0" FROM END OF GIRDER
 - 0.6" Ø "SLACK" STRANDS TO BE TENSIONED TO 9400 LBS. (MAX.)

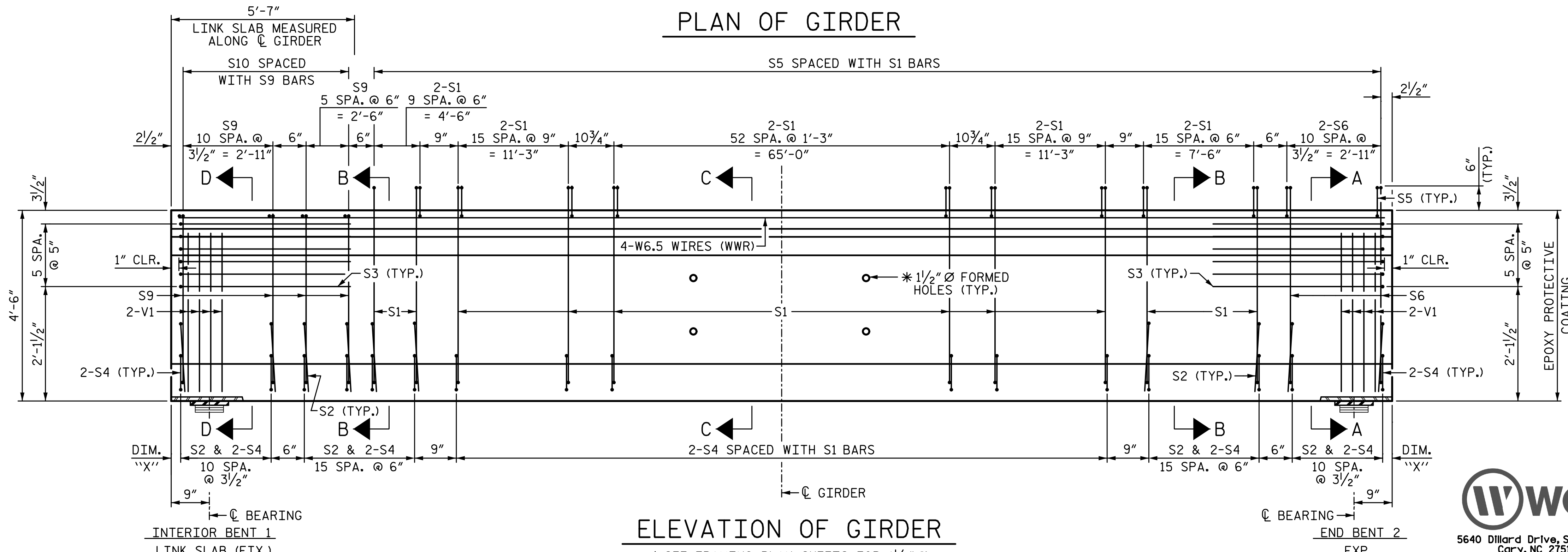


NOTES:
FOR GIRDER SECTIONS SEE SHEET 3 OF 3.

0.6" Ø LOW RELAXATION STRAND LAYOUT



PLAN OF GIRDER

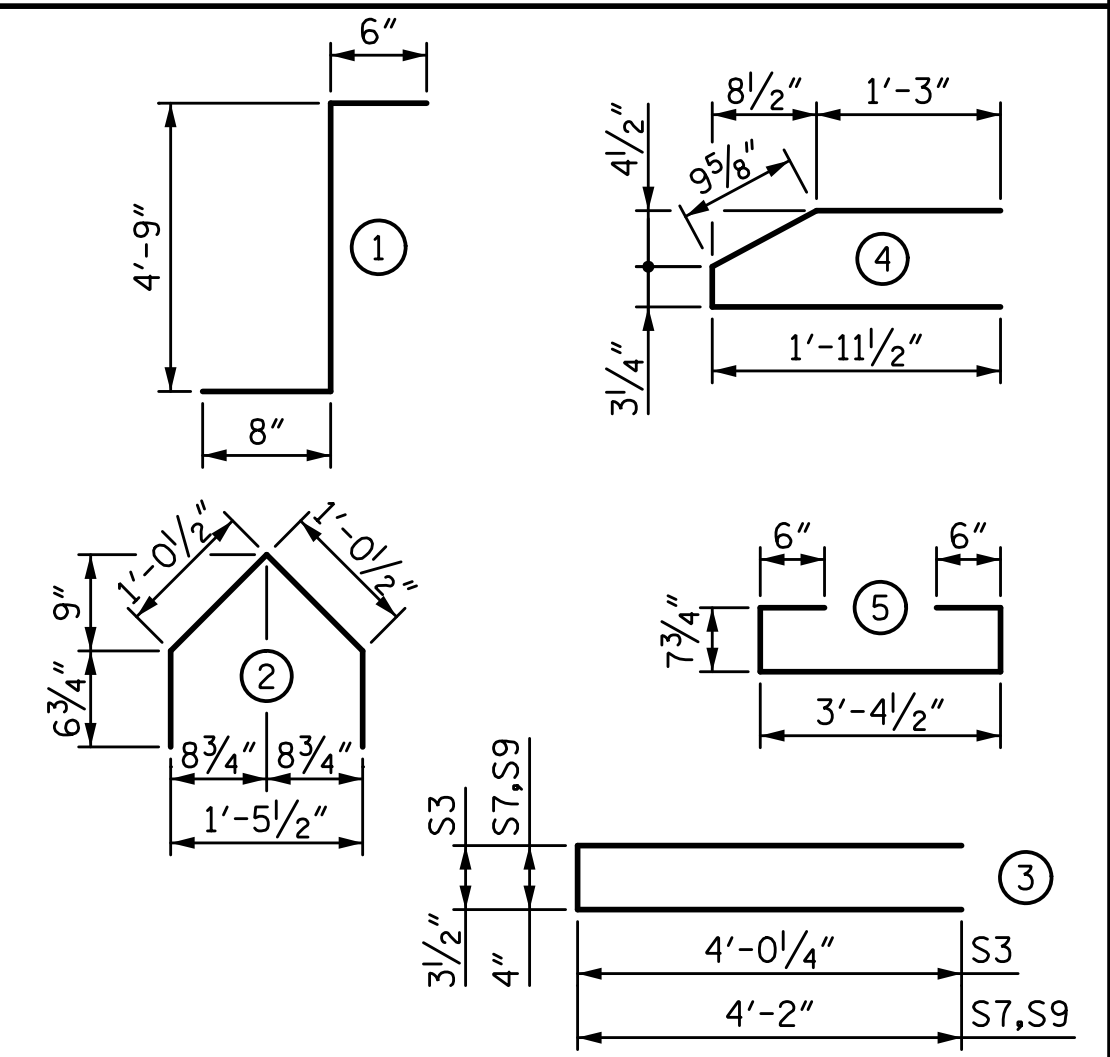


ELEVATION OF GIRDER

* SEE FRAMING PLAN SHEETS FOR 1/2" Ø FORMED HOLE LOCATIONS ALONG GIRDERS.

0.6" Ø L. R. GRADE 270 STRANDS					
AREA (SQUARE INCHES)	ULTIMATE STRENGTH (LBS. PER STRAND)	APPLIED PRESTRESS (LBS. PER STRAND)			
0.217	58,600	43,950			
REINFORCING STEEL FOR ONE GIRDER					
BAR	NO.	SIZE	TYPE	LENGTH	WEIGHT
D16	75	#3	STR	3'-8"	103
S1	222	#4	1	5'-11"	877
S2	54	#3	2	3'-3"	66
S3	12	#3	3	8'-4"	38
S4	278	#3	4	4'-4"	453
S5	122	#4	5	5'-8"	462
S6	22	#6	1	5'-11"	196
S7	8	#5	3	8'-8"	72
S8	12	#4	STR	8'-0"	64
S9	17	#6	3	8'-8"	221
S10	17	#4	STR	3'-8"	42
V1	16	#5	STR	3'-10"	64
WWR	-	-	-	-	254

BAR TYPES



ALL BAR DIMENSIONS ARE OUT-TO-OUT

QUANTITIES FOR ONE GIRDER

WWR	REINF. STEEL	8,500 PSI CONCRETE	0.6" Ø L.R. STRANDS
LB.	LB.	C.Y.	No.
254	2,658	27.1	57

GIRDERS REQUIRED

NUMBER	LENGTH	TOTAL LENGTH
15	113'-0 1/2"	1,695'-7 1/2"

PROJECT NO. I-5987B
ROBESON COUNTY
STATION: 803+15.00 -L-

SHEET 2 OF 3

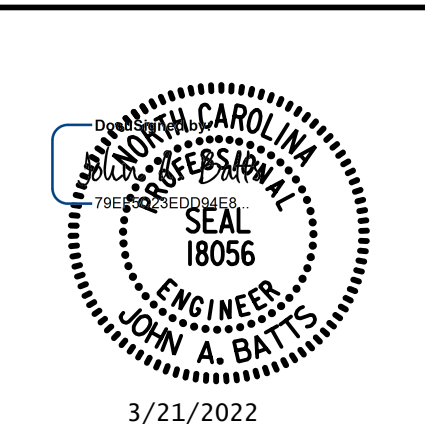
STATE OF NORTH CAROLINA
DEPARTMENT OF TRANSPORTATION
RALEIGH
SUPERSTRUCTURE
54" PRESTRESSED CONCRETE FLORIDA I-BEAM

SPAN B

REVISIONS						SHEET NO.
NO.	BY:	DATE:	NO.	BY:	DATE:	S9-28
1			3			TOTAL SHEETS 69
2			4			

DRAWN BY: S.D. COOPER DATE: 3-22
CHECKED BY: J.A. BATTS DATE: 3-22
DESIGN ENGINEER OF RECORD: J.A. BATTS DATE: 3-22

DIM. "X":
1 3/16" CLR. TO S2 BARS
1 1/16" MIN. CLR. TO S4 BARS



DOCUMENT NOT CONSIDERED FINAL UNLESS ALL SIGNATURES COMPLETED