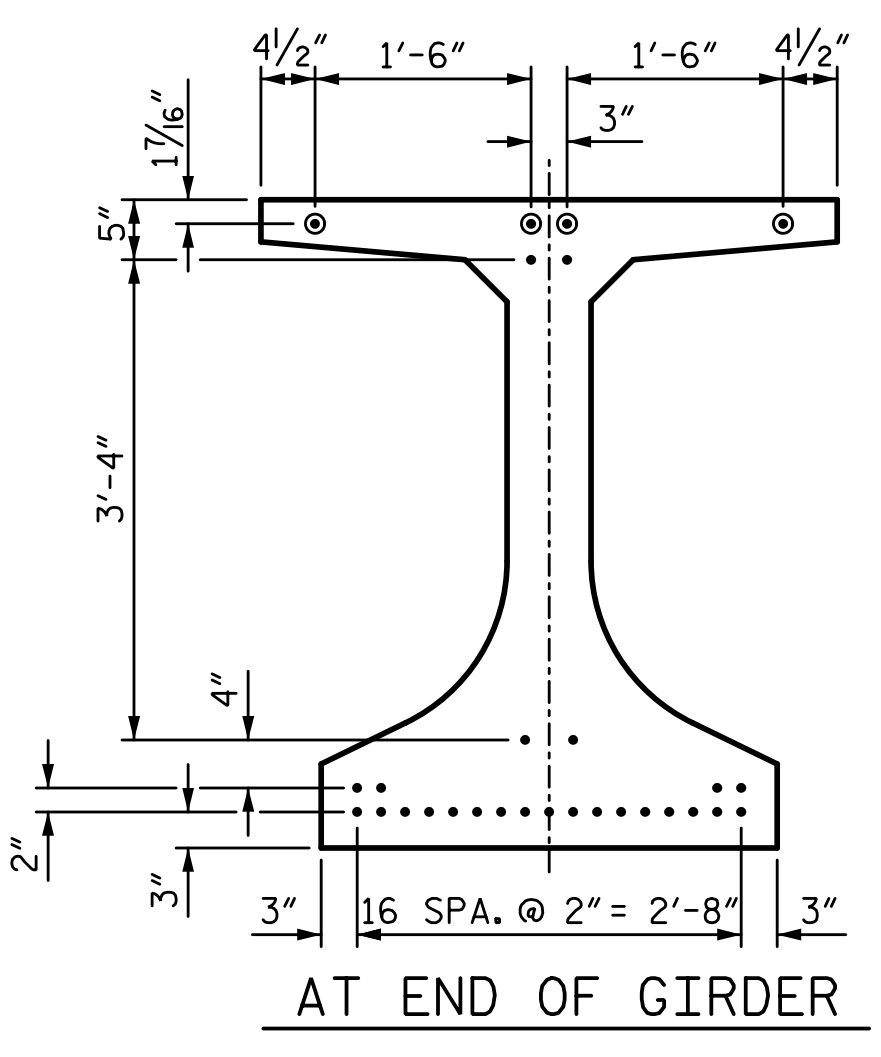
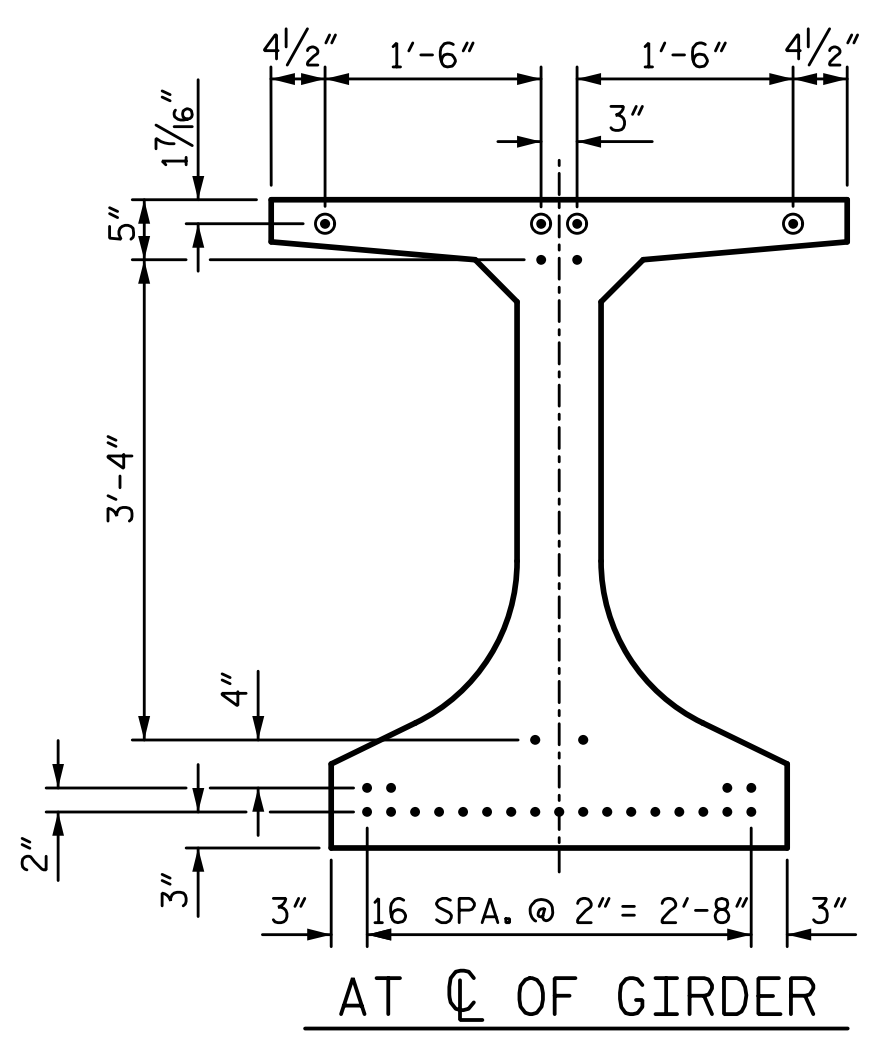


3/18/2022 11:06:27 AM G:\Projects\2020\Division 6 (Mott Mac - NV5)\I-5987B\Structures\Site 9 (L over Little Marsh Swamp)\Drawings\Final\I5987B_SMU.G_770164.dgn



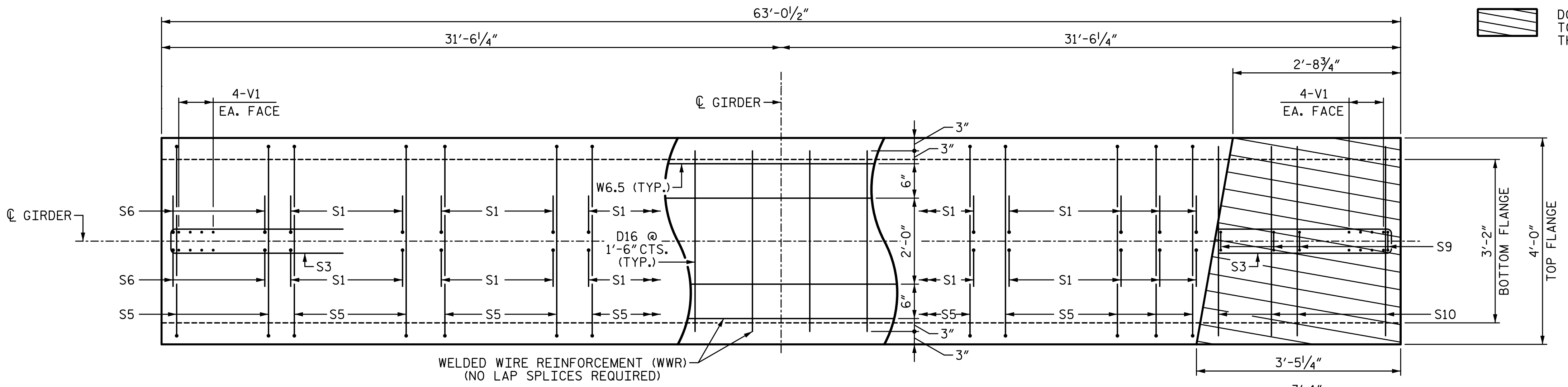
DEBONDING LEGEND

- FULLY BONDED STRANDS
- 0.6" Ø "SLACK" STRANDS TO BE TENSIONED TO 9400 LBS. (MAX.)



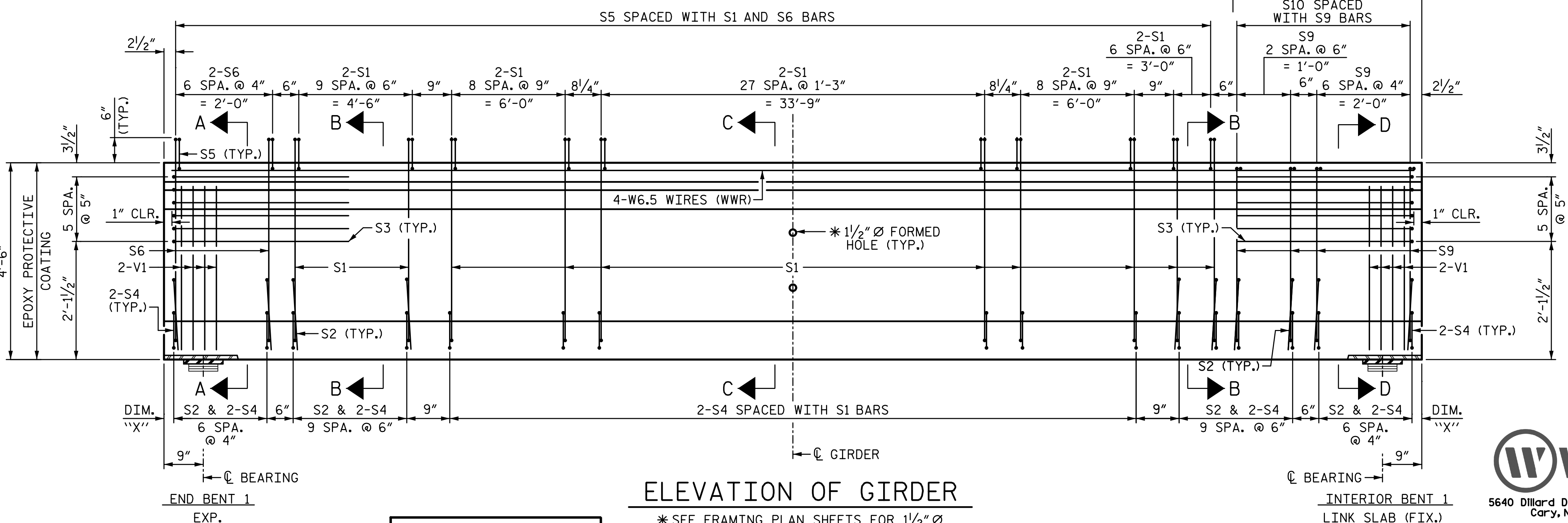
NOTES:
FOR GIRDER SECTIONS SEE SHEET 3 OF 3.

0.6" Ø LOW RELAXATION STRAND LAYOUT



PLAN OF GIRDER

DO NOT ROUGHEN TOP OF GIRDER IN THIS AREA.

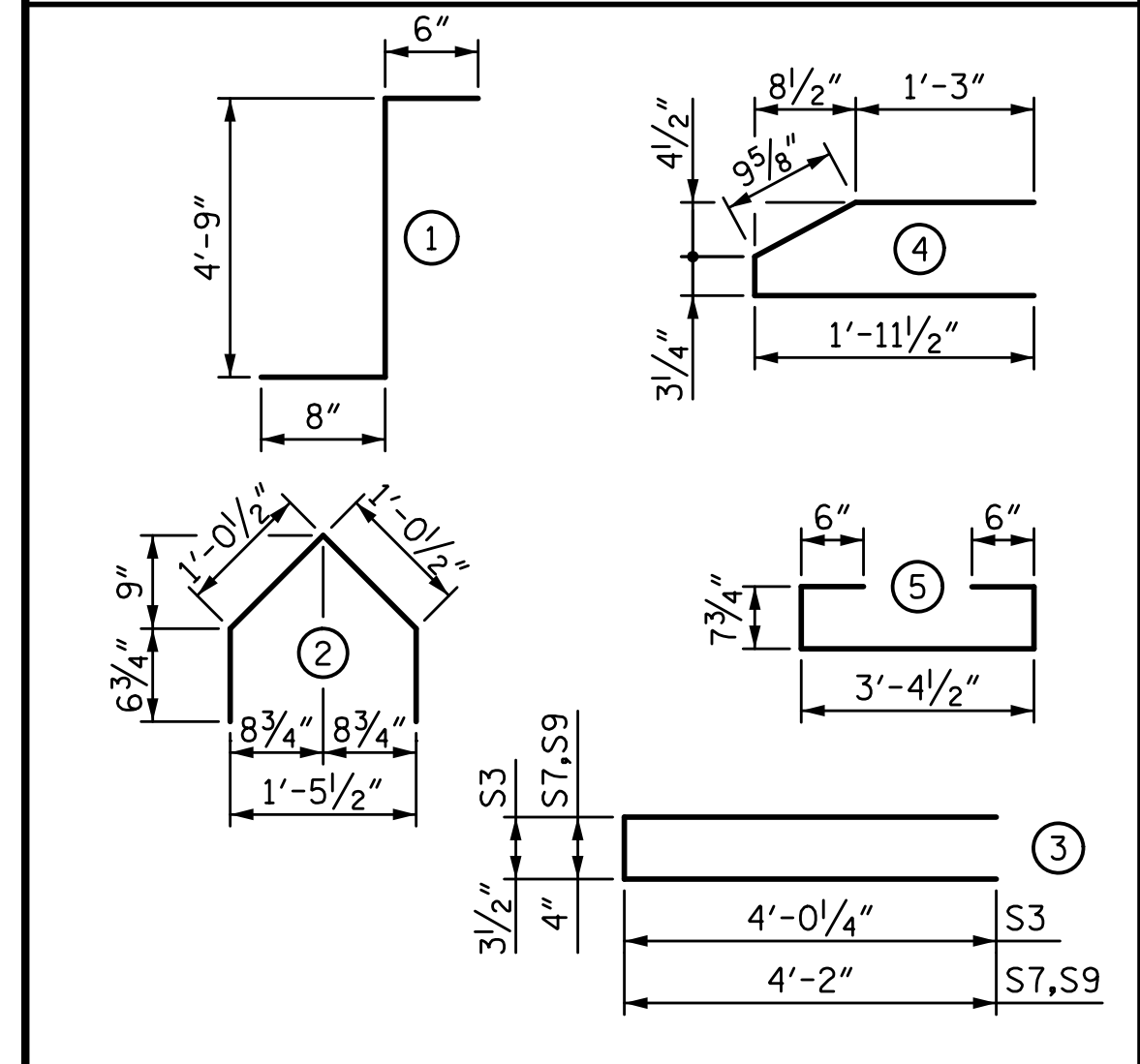


ELEVATION OF GIRDER

* SEE FRAMING PLAN SHEETS FOR 1/2" Ø FORMED HOLE LOCATIONS ALONG GIRDERS.

0.6" Ø L. R. GRADE 270 STRANDS					
AREA (SQ. INCHES)	ULTIMATE STRENGTH (LBS. PER STRAND)	APPLIED PRESTRESS (LBS. PER STRAND)			
0.217	58,600	43,950			
REINFORCING STEEL FOR ONE GIRDER					
BAR	NO.	SIZE	TYPE	LENGTH	WEIGHT
D16	42	#3	STR	3'-8"	58
S1	126	#4	1	5'-11"	498
S2	34	#3	2	3'-3"	42
S3	12	#3	3	8'-4"	38
S4	160	#3	4	4'-4"	261
S5	70	#4	5	5'-8"	265
S6	14	#5	1	5'-11"	86
S7	4	#5	3	8'-8"	36
S8	6	#4	STR	8'-0"	32
S9	10	#5	3	8'-8"	90
S10	10	#4	STR	3'-8"	24
V1	16	#5	STR	3'-10"	64
WWR	-	-	-	-	142

BAR TYPES



ALL BAR DIMENSIONS ARE OUT-TO-OUT

QUANTITIES FOR ONE GIRDER

WWR	REINF. STEEL	6,000 PSI CONCRETE	0.6" Ø L.R. STRANDS
LB.	LB.	C.Y.	No.
142	1,494	15.1	29

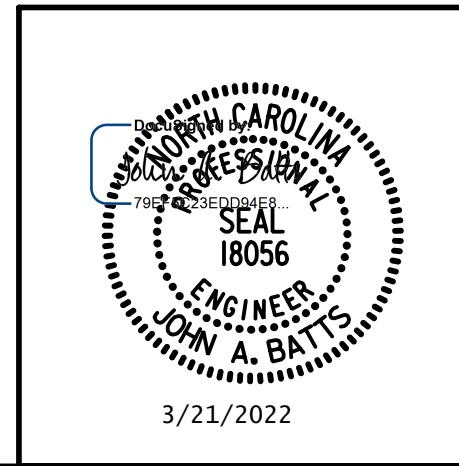
GIRDERS REQUIRED

NUMBER	LENGTH	TOTAL LENGTH
15	63'-0 1/2"	945'-7 1/2"

PROJECT NO. I-5987B
ROBESON COUNTY
STATION: 803+15.00 -L-

SHEET 1 OF 3

STATE OF NORTH CAROLINA
DEPARTMENT OF TRANSPORTATION
RALEIGH
SUPERSTRUCTURE
54" PRESTRESSED CONCRETE FLORIDA I-BEAM
SPAN A



LICENSURE NO. C-4434

REVISIONS						SHEET NO. S9-27 TOTAL SHEETS 69
NO.	BY:	DATE:	NO.	BY:	DATE:	
1			3			
2			4			

DRAWN BY: S.D. COOPER DATE: 3-22
CHECKED BY: J.A. BATTS DATE: 3-22
DESIGN ENGINEER OF RECORD: J.A. BATTS DATE: 3-22

DIM. "X":
1 3/16" CLR. TO S2 BARS
1 1/16" MIN. CLR. TO S4 BARS

DOCUMENT NOT CONSIDERED FINAL UNLESS ALL SIGNATURES COMPLETED