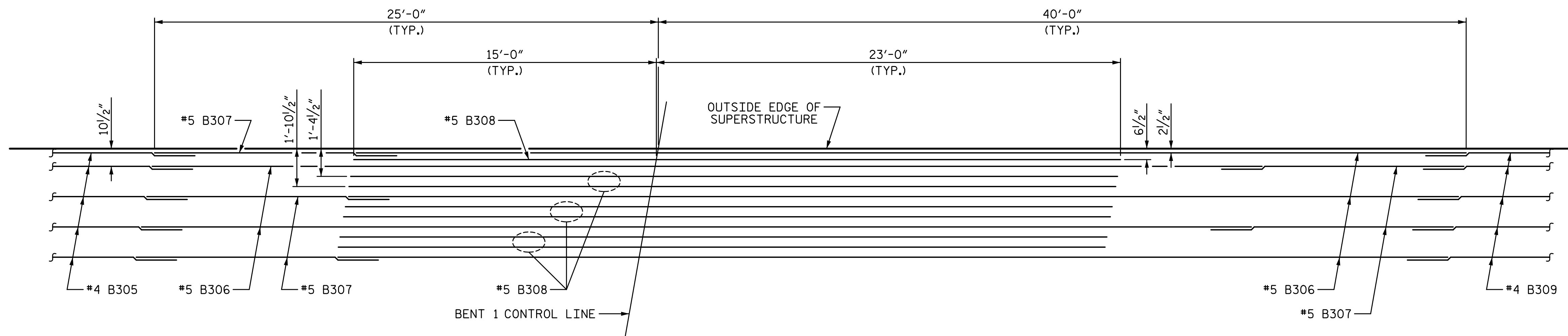


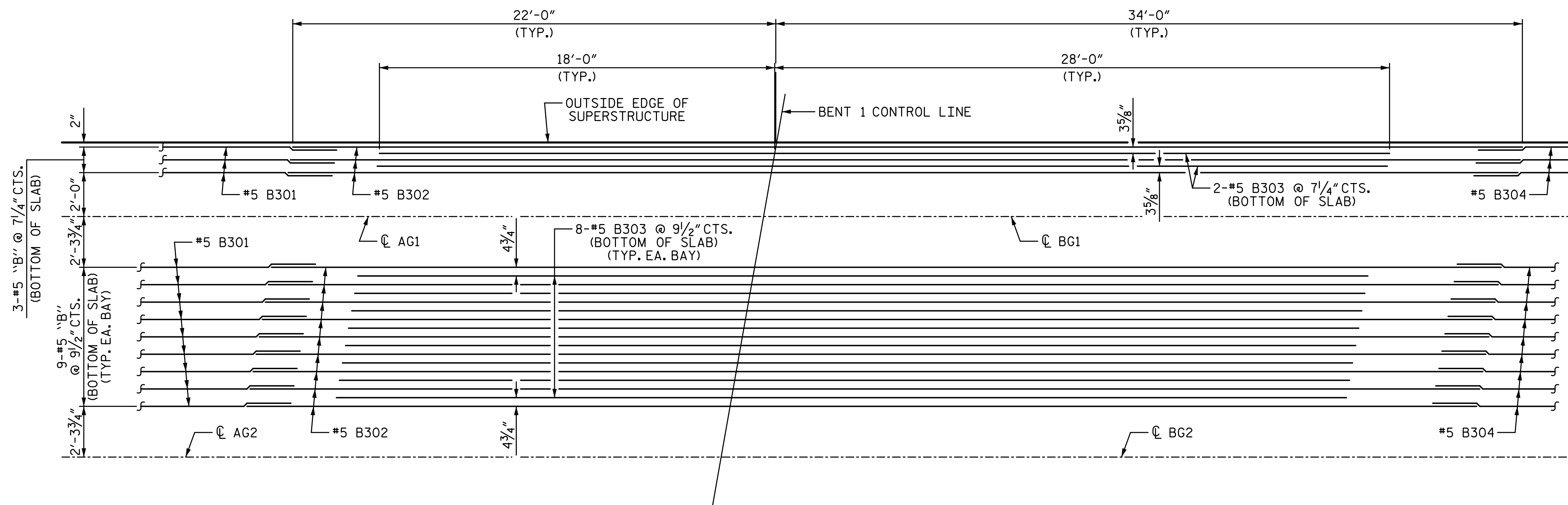
3/18/2022 11:06:24 AM G:\Projects\2020\Division 6 (Mott Mac - NV5)\I-5987B\Structures\Site 9 (L over Little Marsh Swamp)\Drawings\Final\I5987B_SMU_S_770164.dgn



TOP OF DECK "B" BAR PLACEMENT

AT BENT

FOR CLOSURE POUR REINFORCING STEEL SEE SHEET 6 OF 9.



BOTTOM OF DECK "B" BAR PLACEMENT

AT BENT

FOR CLOSURE POUR REINFORCING STEEL SEE SHEET 6 OF 9.

PROJECT NO. I-5987B
ROBESON COUNTY
 STATION: 803+15.00 -L-

SHEET 9 OF 9

STATE OF NORTH CAROLINA
 DEPARTMENT OF TRANSPORTATION
 RALEIGH
 SUPERSTRUCTURE

PLAN OF SPANS

STAGE III

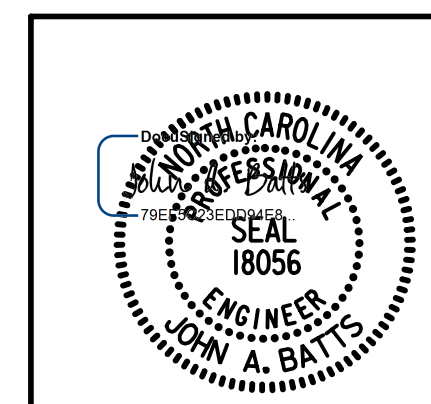
REVISIONS

NO.	BY:	DATE:	NO.	BY:	DATE:	SHEET NO.
1			3			S9-23
2			4			TOTAL SHEETS 69



5640 Dillard Drive, Suite 200
 Cary, NC 27518

LICENSURE NO. C-4434



3/21/2022

DRAWN BY: T. BANKOVICH DATE: 3-22
 CHECKED BY: J.A. BATTS DATE: 3-22
 DESIGN ENGINEER OF RECORD: J.A. BATTS DATE: 3-22

**DOCUMENT NOT CONSIDERED FINAL
 UNLESS ALL SIGNATURES COMPLETED**