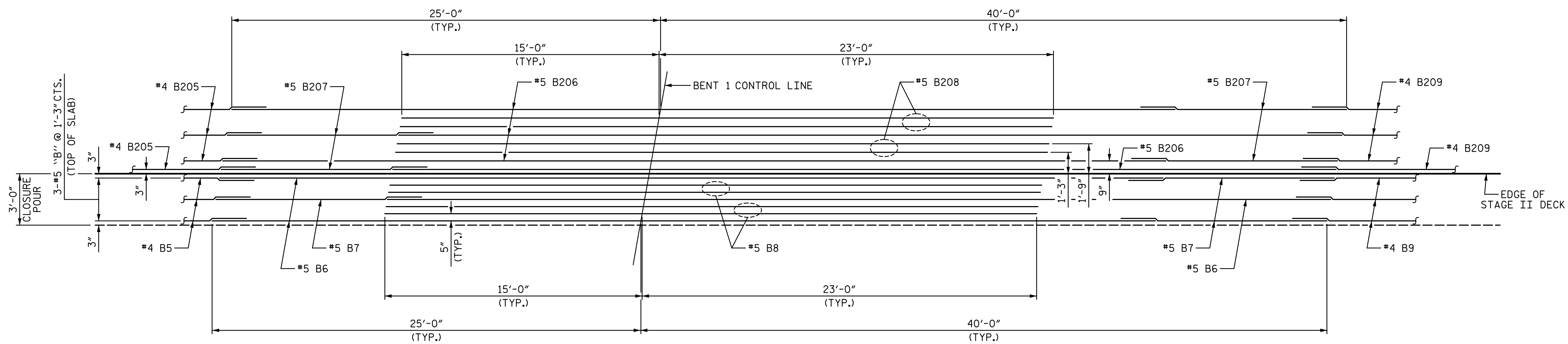
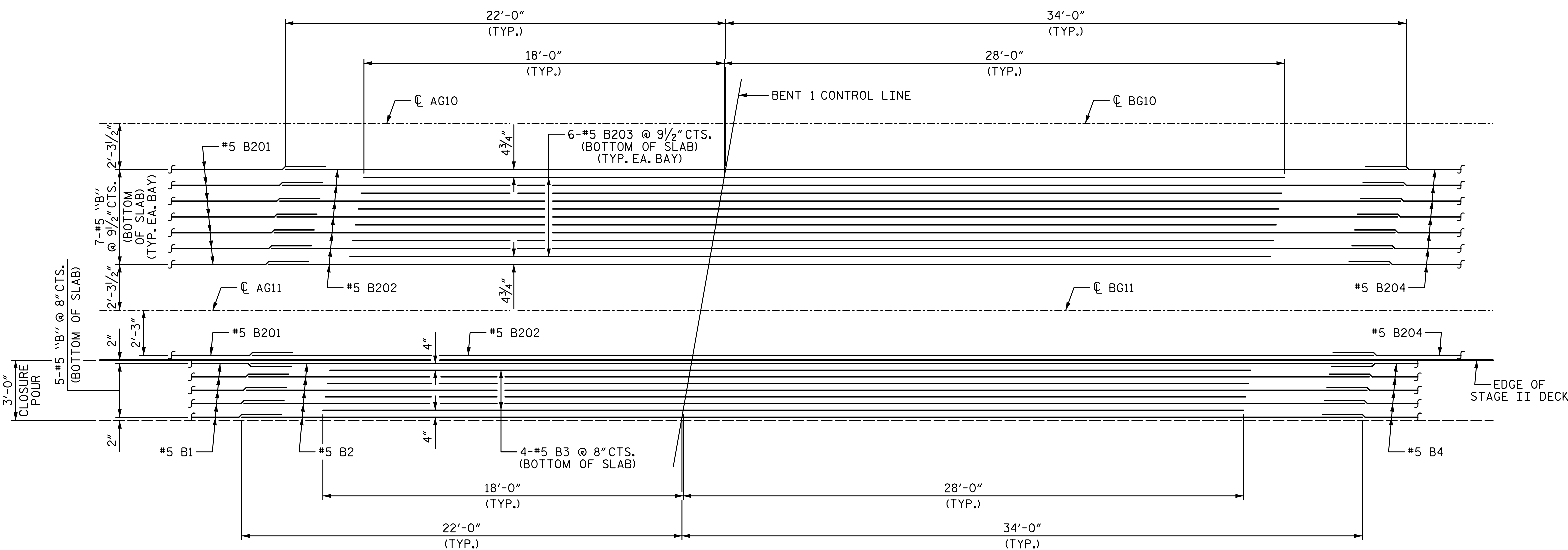


3/18/2022 11:06:22 AM G:\Projects\2020\Division 6 (Mott Mac - NV5)\I-5987B\Structures\Site 9 (L over Little Marsh Swamp)\Drawings\Final\I5987B_SMU_S_770164.dgn



TOP OF DECK "B" BAR PLACEMENT
AT BENT

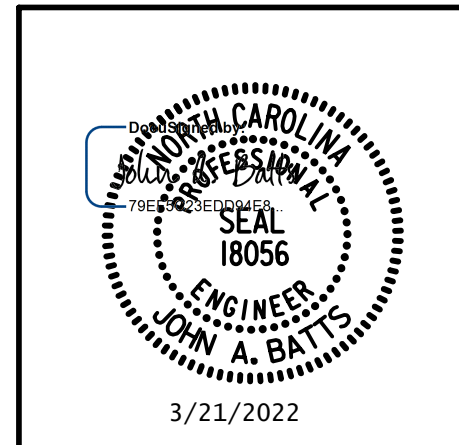


BOTTOM OF DECK "B" BAR PLACEMENT
AT BENT

PROJECT NO. I-5987B
ROBESON COUNTY
STATION: 803+15.00 -L-

SHEET 6 OF 9

STATE OF NORTH CAROLINA
DEPARTMENT OF TRANSPORTATION
RALEIGH
SUPERSTRUCTURE
PLAN OF SPANS
STAGE II



DRAWN BY: T. BANKOVICH DATE: 3-22
 CHECKED BY: J.A. BATTS DATE: 3-22
 DESIGN ENGINEER OF RECORD: J.A. BATTS DATE: 3-22

REVISIONS						SHEET NO.
NO.	BY:	DATE:	NO.	BY:	DATE:	S9-20
1			3			TOTAL SHEETS
2			4			69

DOCUMENT NOT CONSIDERED FINAL
UNLESS ALL SIGNATURES COMPLETED