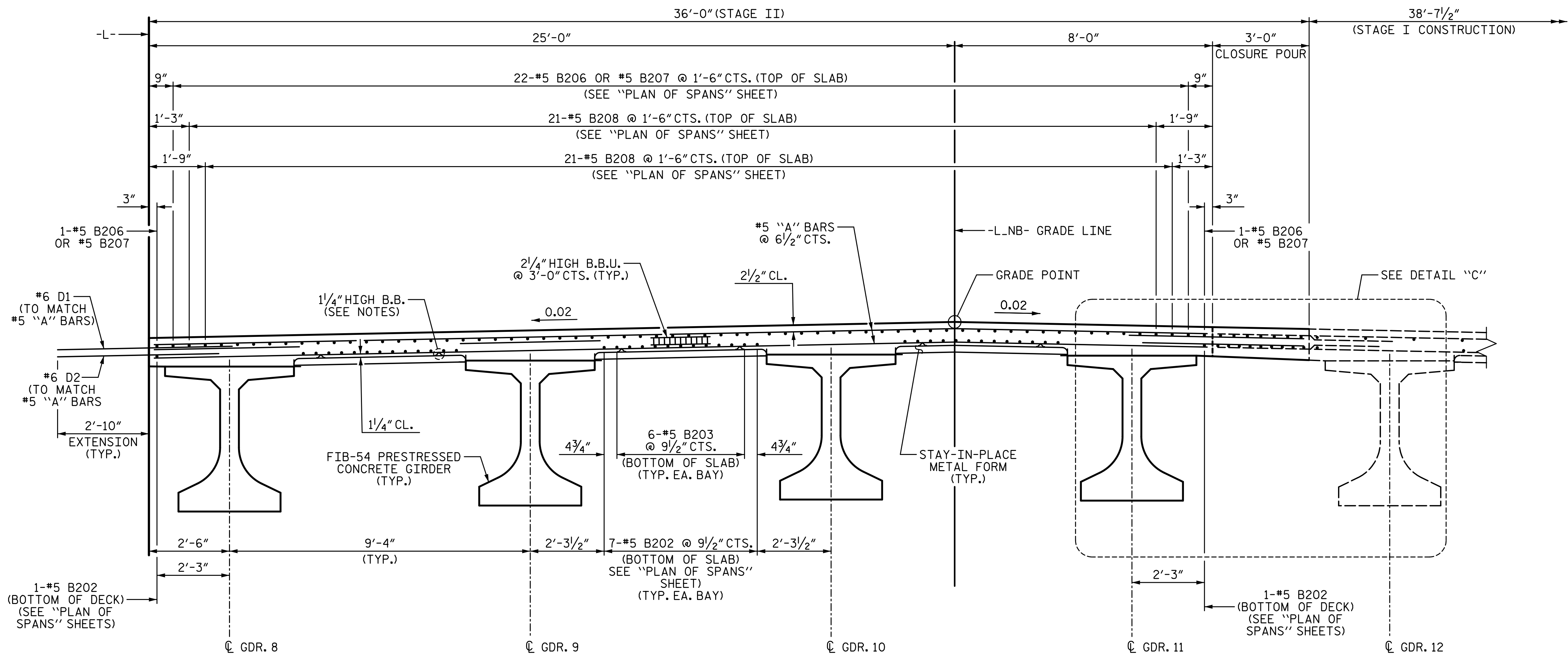
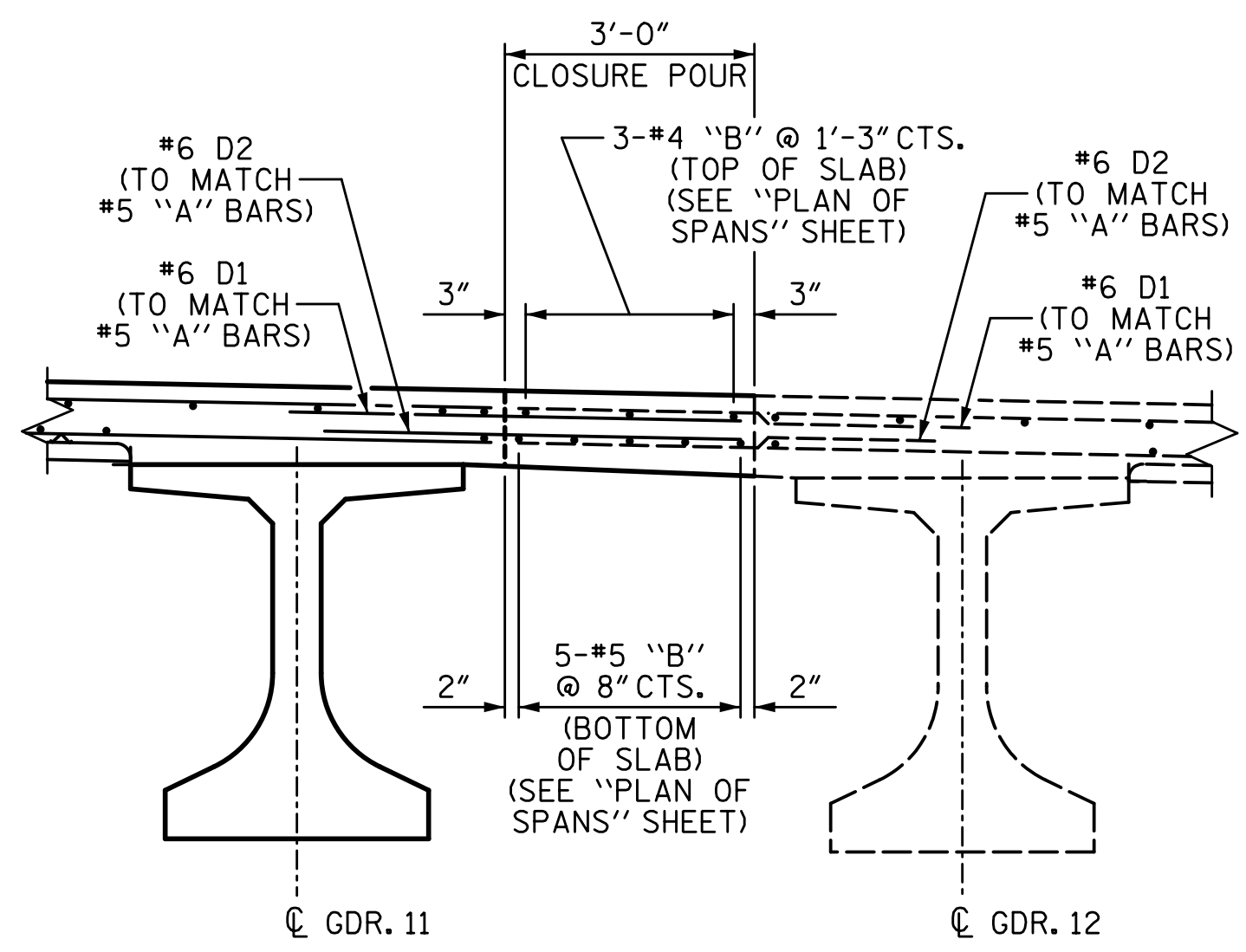


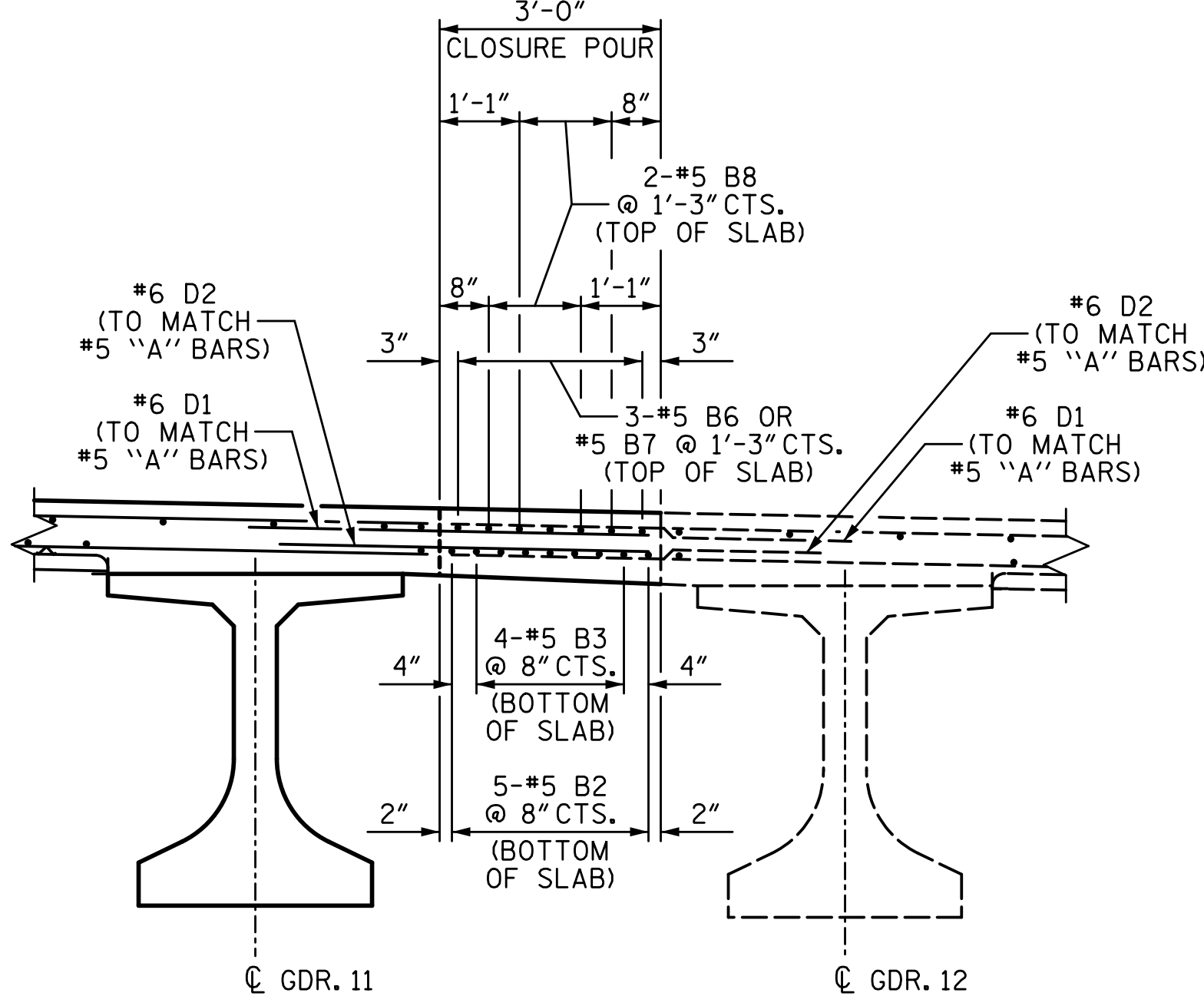
3/18/2022 11:06:17 AM G:\Projects\2020\Division 6 (Mott Mac - NV5)\I-5987B\Structures\Site 9 (L over Little Marsh Swamp)\Drawings\Final\I5987B_SMU_TS_770164.dgn



TYPICAL SECTION
(SHOWING LINK SLAB REGION AT INTERIOR BENT)



DETAIL "B"
#6 DOWELS EXTEND 2'-10" INTO CLOSURE POUR



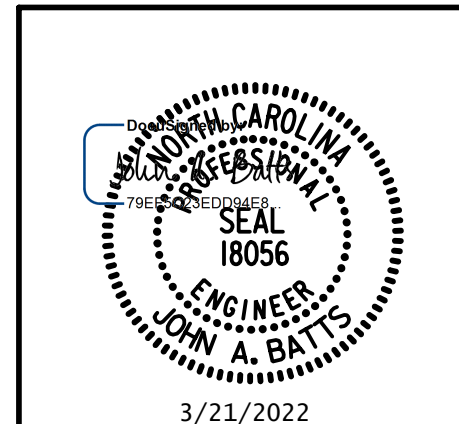
DETAIL "C"
#6 DOWELS EXTEND 2'-10" INTO CLOSURE POUR

PROJECT NO. I-5987B
ROBESON COUNTY
 STATION: 803+15.00 -L-
 SHEET 5 OF 8

STATE OF NORTH CAROLINA
 DEPARTMENT OF TRANSPORTATION
 RALEIGH
 SUPERSTRUCTURE

TYPICAL SECTION

STAGE II



W WGI
 5640 Dillard Drive, Suite 200
 Cary, NC 27518
 LICENSURE NO. C-4434

DRAWN BY: T. BANKOVICH DATE: 3-22
 CHECKED BY: J.A. BATTS DATE: 3-22
 DESIGN ENGINEER OF RECORD: J.A. BATTS DATE: 3-22

REVISIONS						SHEET NO.
NO.	BY:	DATE:	NO.	BY:	DATE:	S9-11
1			3			TOTAL SHEETS
2			4			69

**DOCUMENT NOT CONSIDERED FINAL
 UNLESS ALL SIGNATURES COMPLETED**