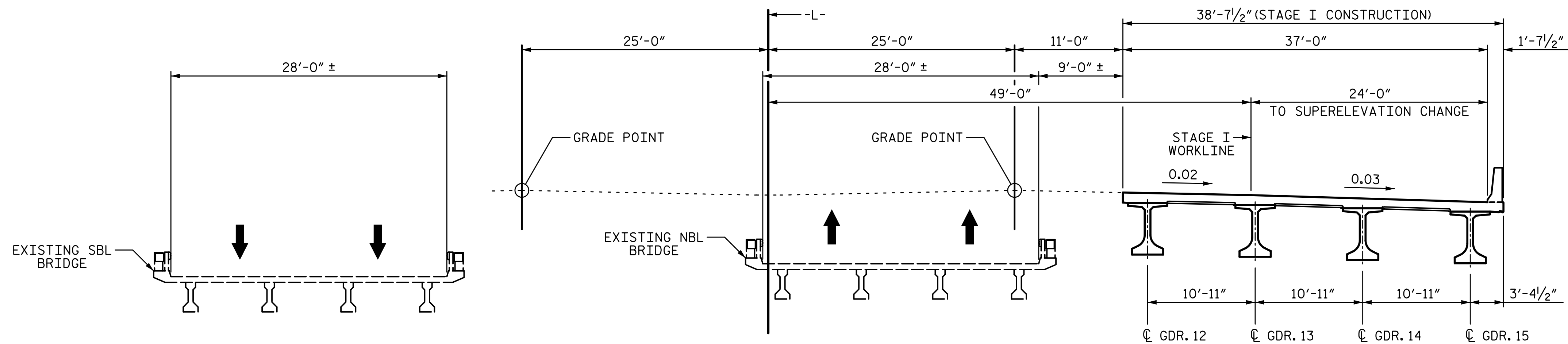
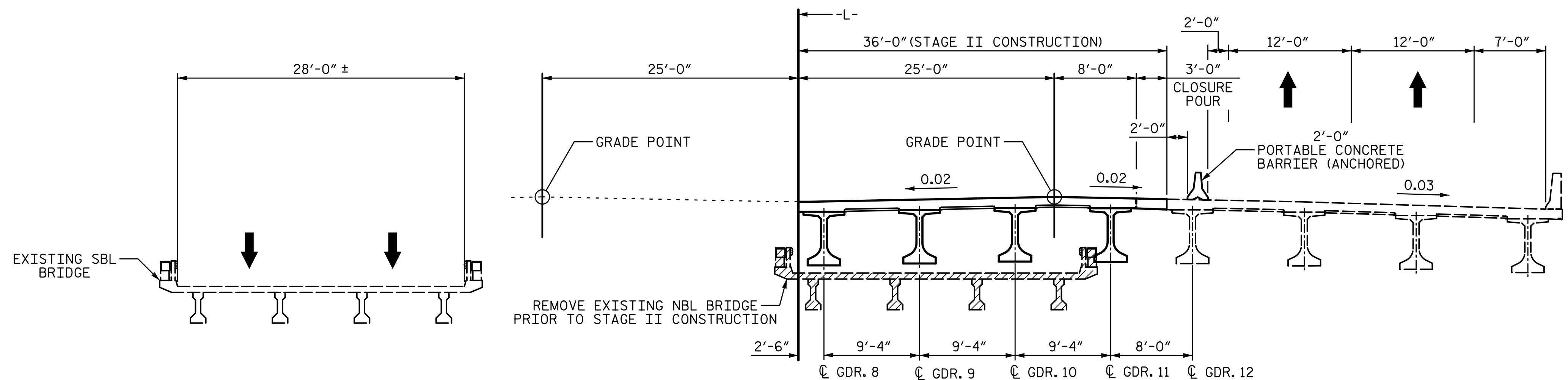


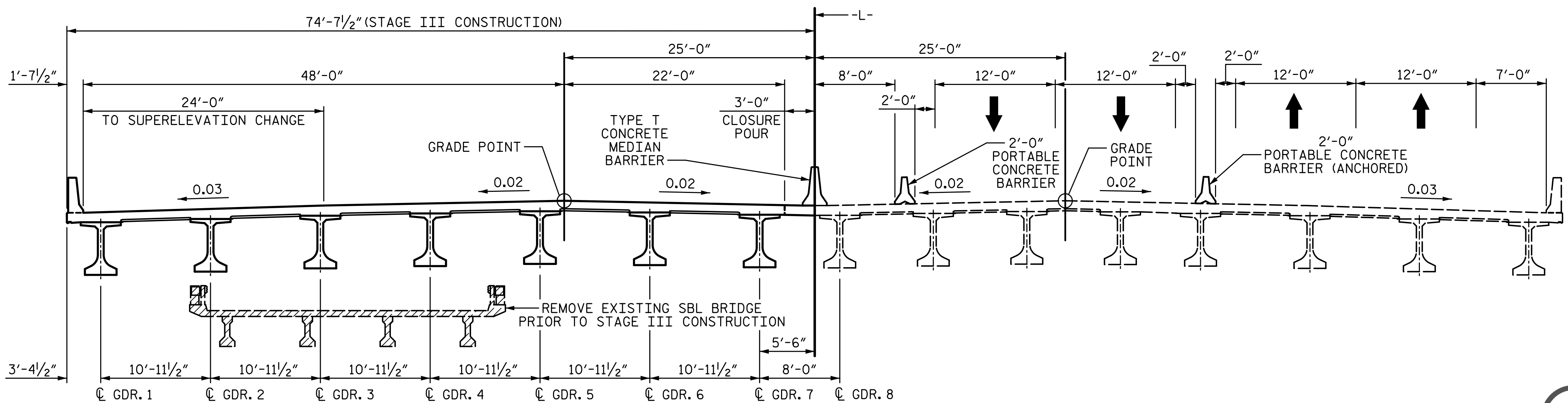
3/18/2022 11:06:14 AM G:\Projects\2020\Division 6 (Mott Mac - NV5)\I-5987B\Structures\Site 9 (L over Little Marsh Swamp)\Drawings\Final\I5987B_SMU_PC_770164.dgn



STAGE I CONSTRUCTION



STAGE II CONSTRUCTION

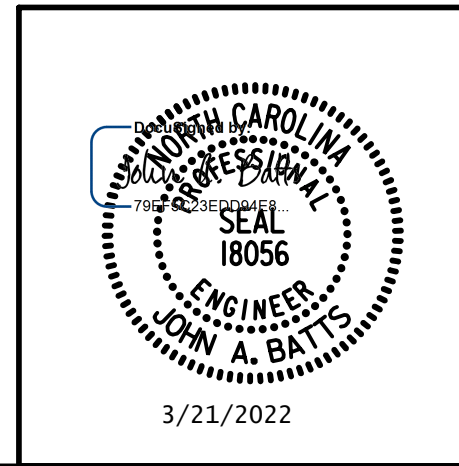


STAGE III CONSTRUCTION

PROJECT NO. I-5987B
ROBESON COUNTY
 STATION: 803+15.00 -L-

STATE OF NORTH CAROLINA
 DEPARTMENT OF TRANSPORTATION
 RALEIGH

CONSTRUCTION SEQUENCE



W WGI

5640 Dillard Drive, Suite 200
 Cary, NC 27518

LICENSURE NO. C-4434

DRAWN BY: T. BANKOVICH	DATE: 3-22
CHECKED BY: J.A. BATT'S	DATE: 3-22
DESIGN ENGINEER OF RECORD: J.A. BATT'S	DATE: 3-22

REVISIONS						SHEET NO.
NO.	BY:	DATE:	NO.	BY:	DATE:	TOTAL SHEETS
1			3			69
2			4			

DOCUMENT NOT CONSIDERED FINAL
 UNLESS ALL SIGNATURES COMPLETED