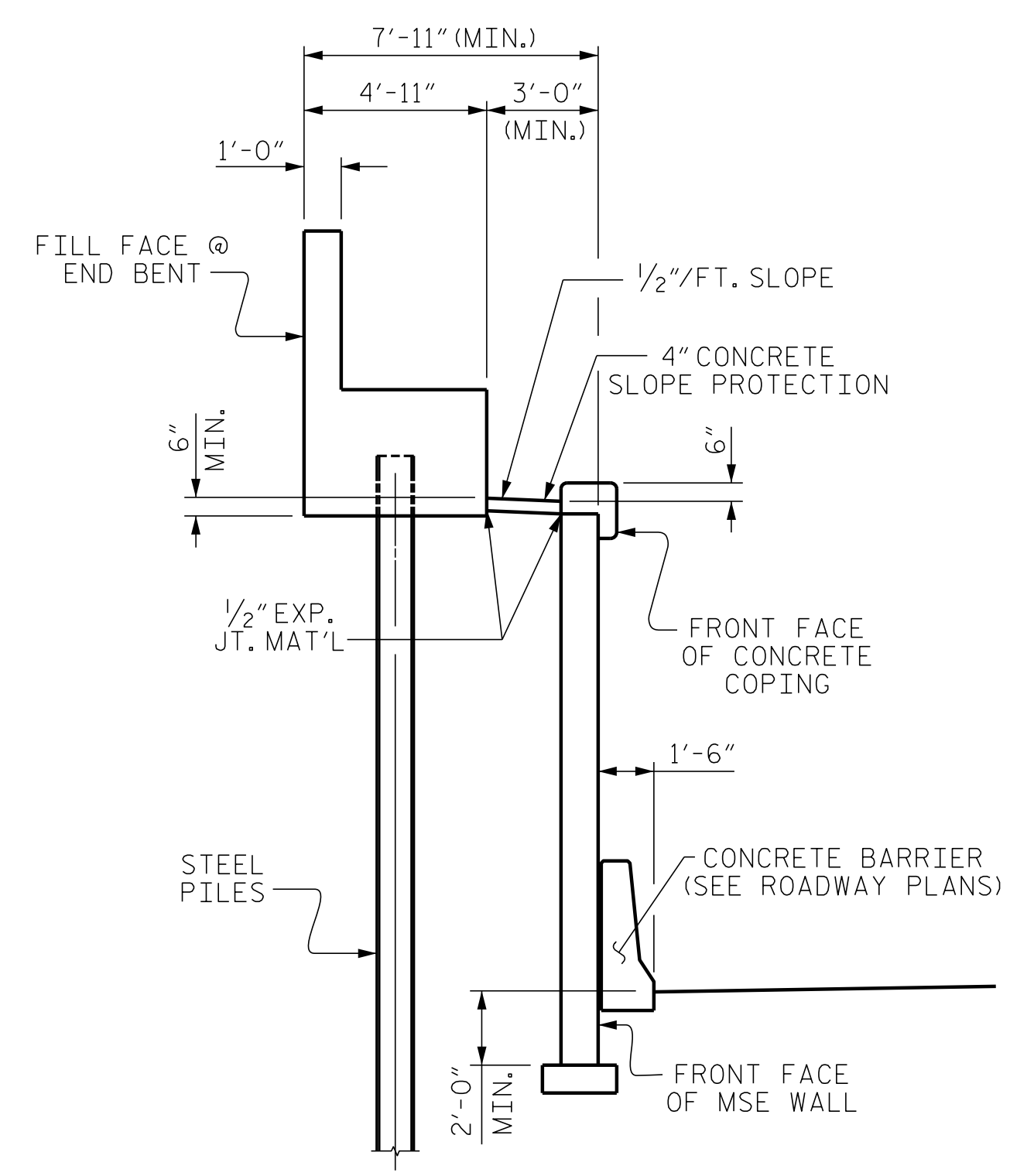




END BENT No. 1

PLAN

END BENT No. 2



SECTION A-A
(NORMAL TO FILL FACE)

NOTES

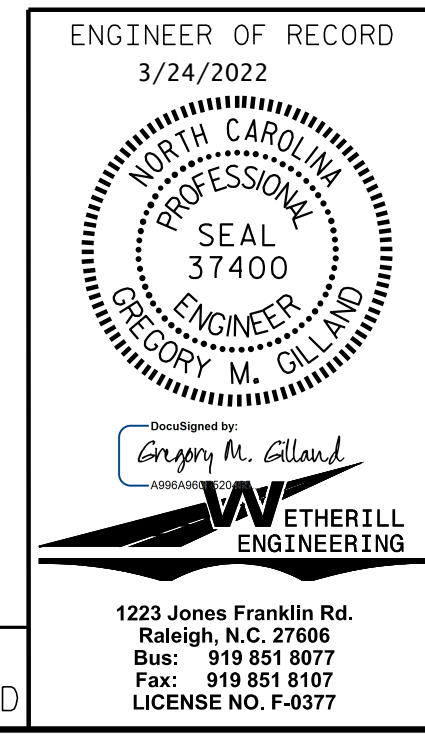
SLOPE PROTECTION SHALL BE PLACED UNDER THE ENDS OF THE BRIDGE AS SHOWN IN THE DETAILS. MEASUREMENT AND PAYMENT SHALL BE AS PRESCRIBED IN SECTION 462 OF THE STANDARD SPECIFICATIONS.

SLOPE PROTECTION SHALL CONSIST OF 4" POURED-IN-PLACE CONCRETE PAVING AS SHOWN IN THE DETAILS. CONCRETE SHALL BE CLASS "B". THE CONCRETE SURFACE SHALL BE FINISHED TO THE SATISFACTION OF THE ENGINEER. WELDED WIRE FABRIC REINFORCING SHALL BE 6 X 6 - W1.4 X W1.4, 20" WIDE AND PLACED IN THE MIDDLE OF THE 4" CONCRETE SLOPE PROTECTION. THE COST OF THE WELDED WIRE FABRIC SHALL BE INCLUDED IN THE CONTRACT UNIT PRICE BID PER SQUARE YARD FOR SLOPE PROTECTION.

BRIDGE @ STA. 30+28.11 -Y6- 761+ 20.96 -L-	4" SLOPE PROTECTION	WELDED WIRE FABRIC 20 INCHES WIDE
	SQUARE YARDS	APPROX. L.F.
END BENT 1	9.9	45.2
END BENT 2	9.9	45.2
TOTAL	19.8	90.4

* QUANTITIES BASED ON DIMENSION SHOWN. FIELD ADJUST AS REQUIRED BASED ON WALL PANEL AND COPING USED.

PROJECT NO. I-5987B
ROBESON COUNTY
 STATION: 30+28.11 -Y6-



STATE OF NORTH CAROLINA
 DEPARTMENT OF TRANSPORTATION
 RALEIGH

SLOPE PROTECTION DETAILS

REVISIONS						SHEET NO.
NO.	BY:	DATE:	NO.	BY:	DATE:	S8-26
1			3			TOTAL SHEETS
2			4			28

1223 Jones Franklin Rd.
 Raleigh, N.C. 27606
 Bus: 919 851 8077
 Fax: 919 851 8107
 LICENSE NO. F-0377

DOCUMENT NOT CONSIDERED FINAL
 UNLESS ALL SIGNATURES COMPLETED

P:\2020\20380\01_I-5987B_T95 Structures\DCM\401_001_I-5987B_SMU_SP_001.dgn
 3/8/2022 3:34:09 PM

DRAWN BY : T. DIFFEE DATE : 10/21
 CHECKED BY : J. DILWORTH DATE : 10/21