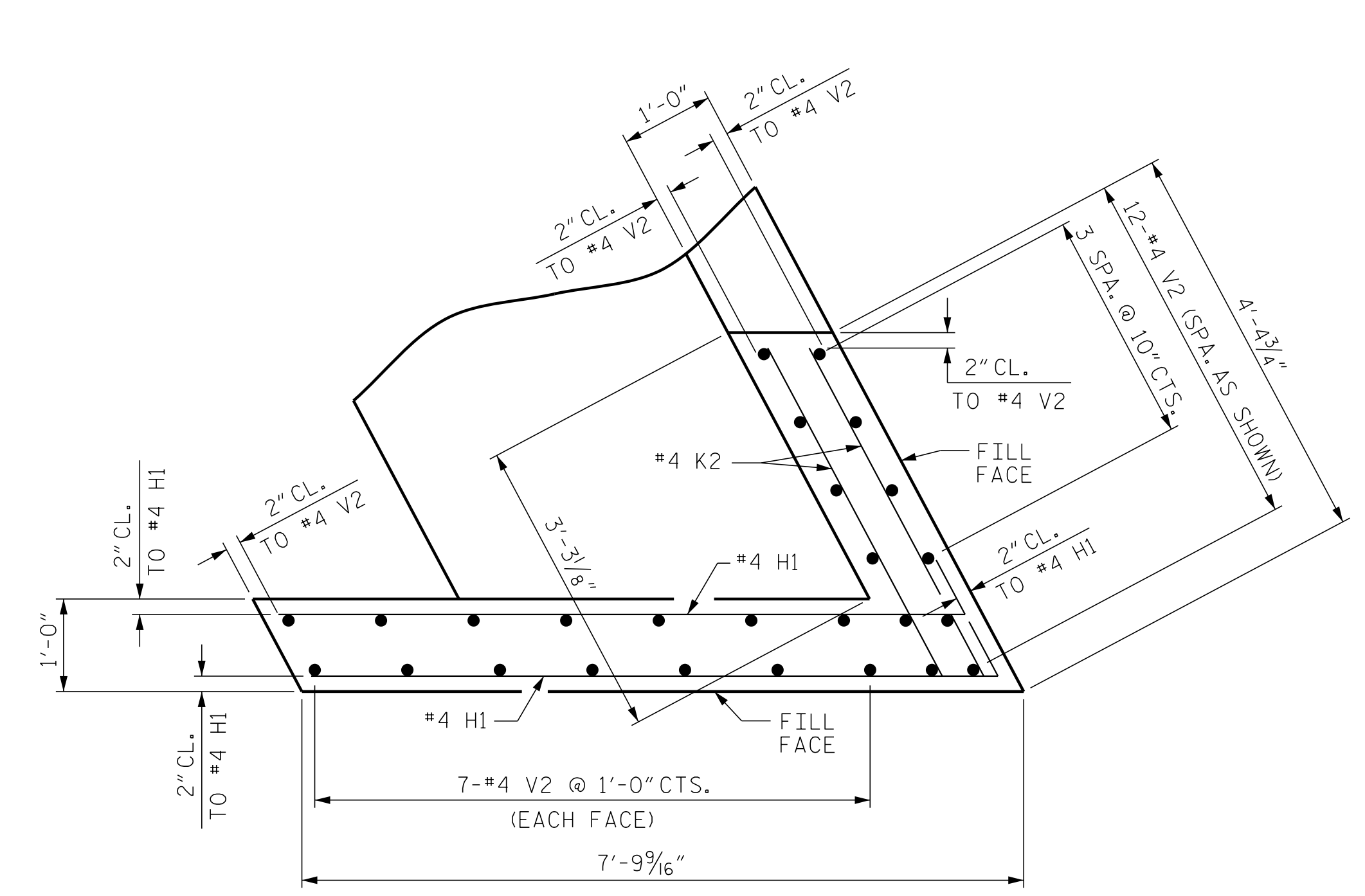
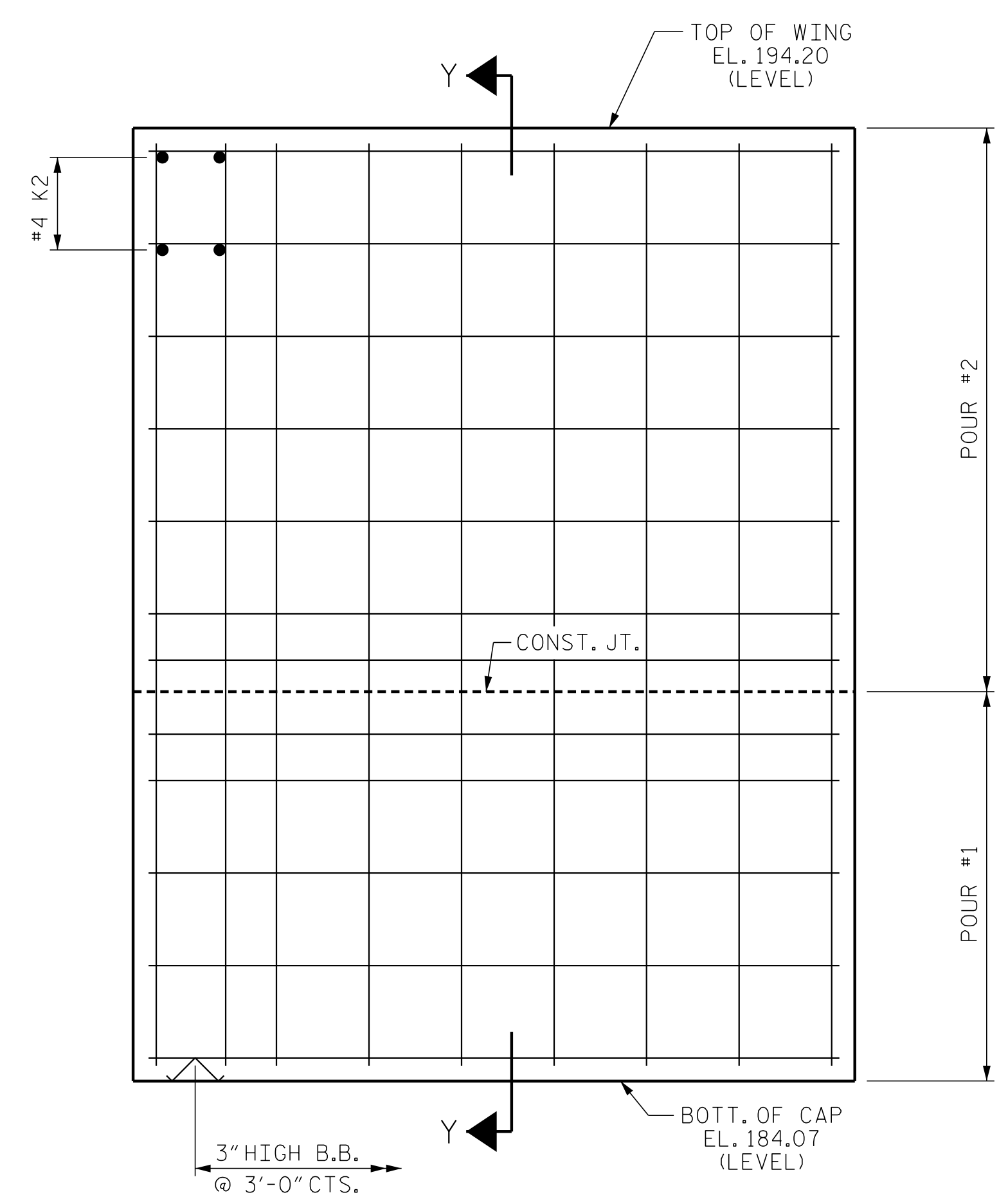


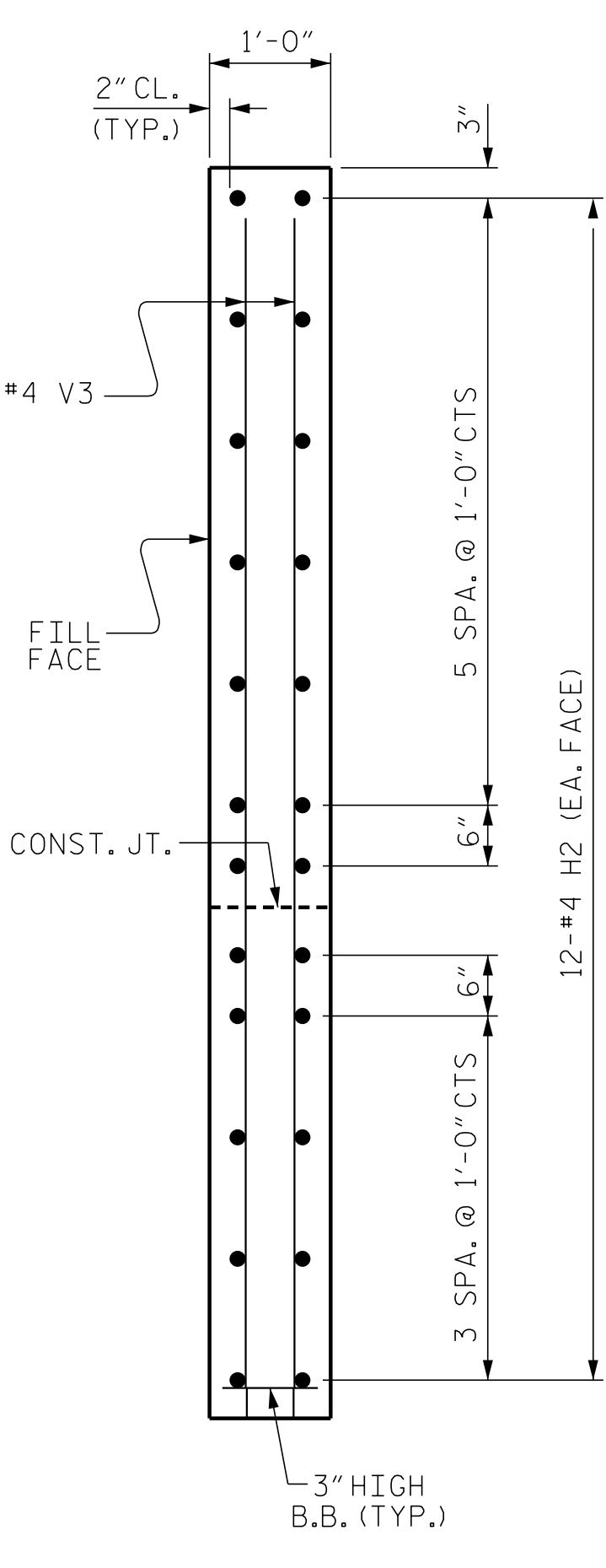
PLAN OF WING - (W1)



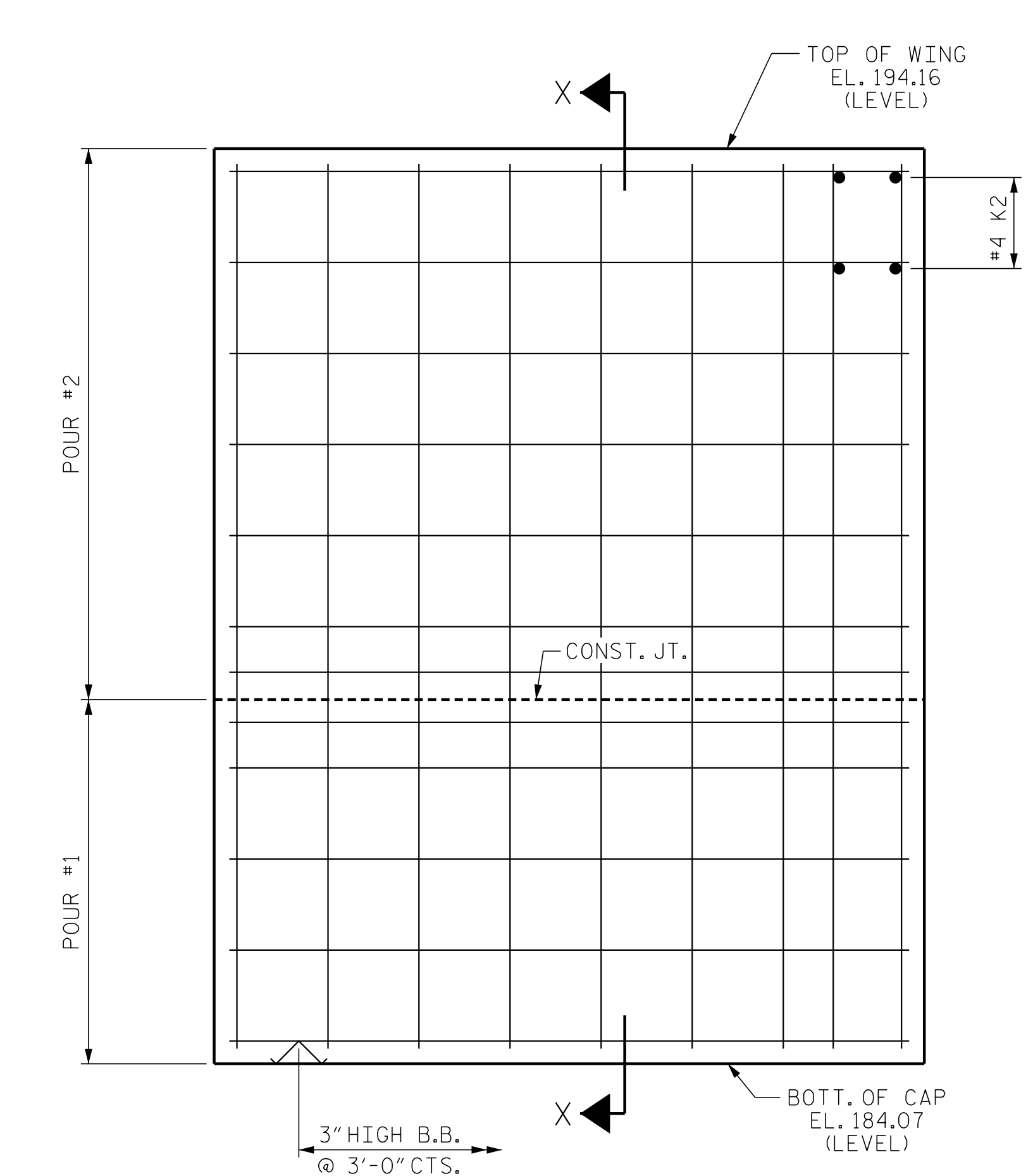
PLAN OF WING - (W2)



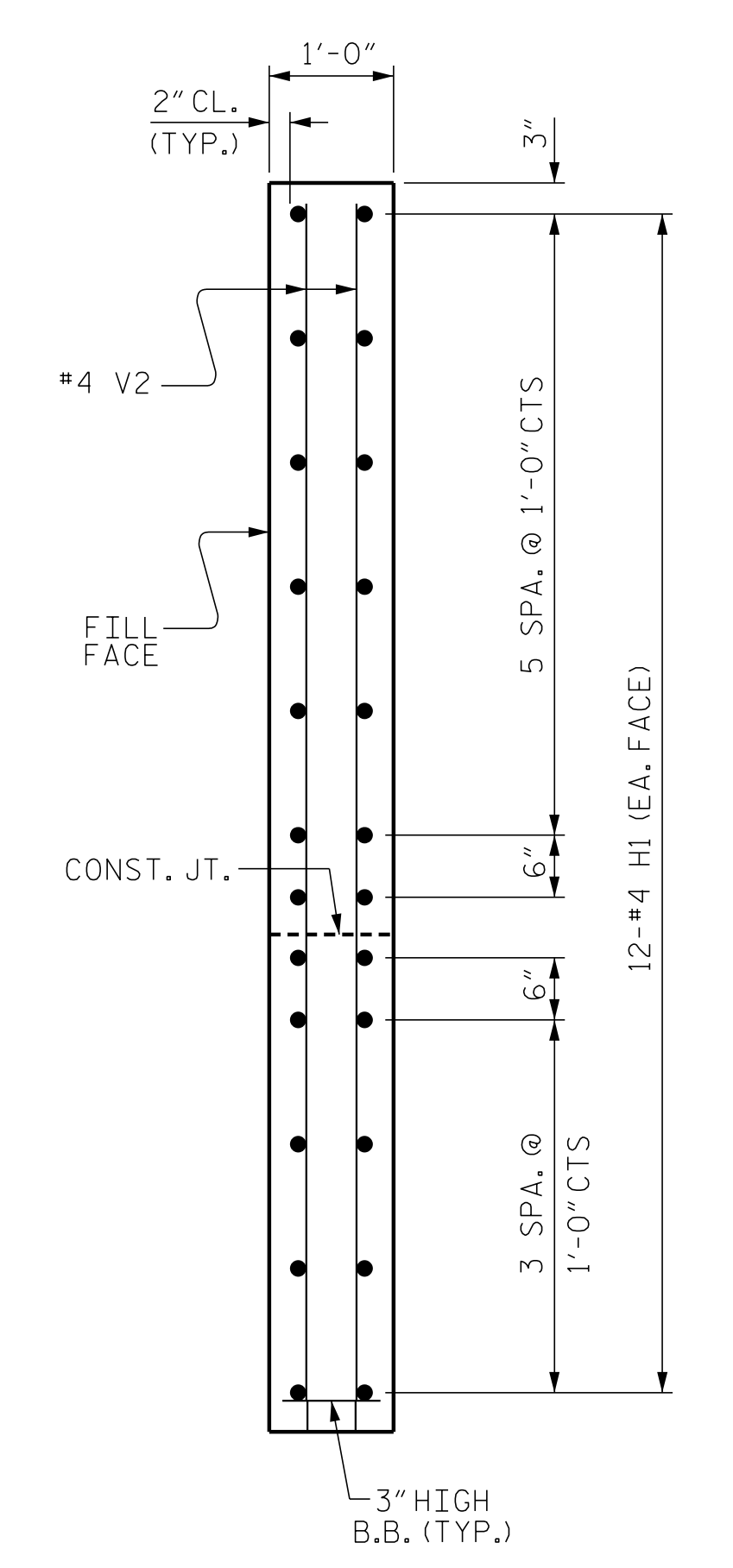
ELEVATION OF WING - (W1)



SECTION Y-Y

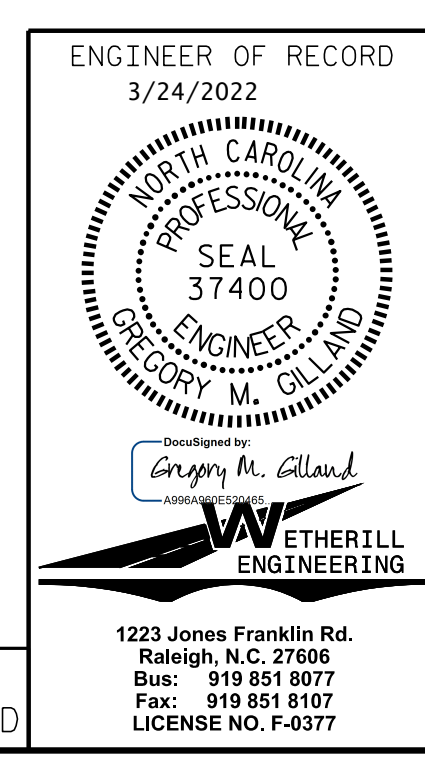


ELEVATION OF WING - (W2)



SECTION X-X

PROJECT NO. I-5987B  
ROBESON COUNTY  
 STATION: 30+28.11 -Y6-  
 SHEET 2 OF 3



STATE OF NORTH CAROLINA DEPARTMENT OF TRANSPORTATION RALEIGH					
SUBSTRUCTURE END BENT No. 2					
REVISIONS					
NO.	BY:	DATE:	NO.	BY:	DATE:
1			3		
2			4		
					SHEET NO. S8-24
					TOTAL SHEETS 28

P:\2020\20380\01\_I-5987B\_T95 Structures\DCM\401\_001\_I-5987B\_SBU\_EB\_00 1.dgn  
 3/8/2022 3:32:13 PM

DRAWN BY: D. HODGE DATE: 9/21  
 CHECKED BY: JAD/GMG DATE: 11/21

DOCUMENT NOT CONSIDERED FINAL  
UNLESS ALL SIGNATURES COMPLETED