

NOTES:

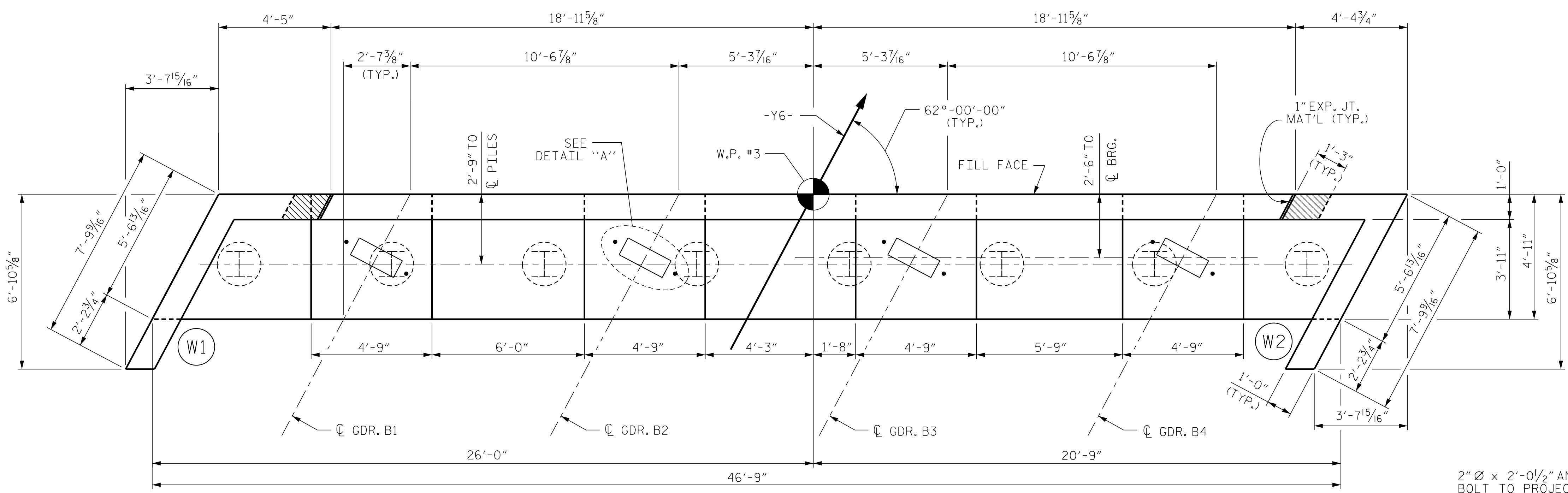
STIRRUPS IN CAP MAY BE SHIFTED AS NECESSARY TO CLEAR ANCHOR BOLTS.

BACKWALL SHALL BE PLACED BEFORE APPLYING THE EPOXY PROTECTIVE COATING.

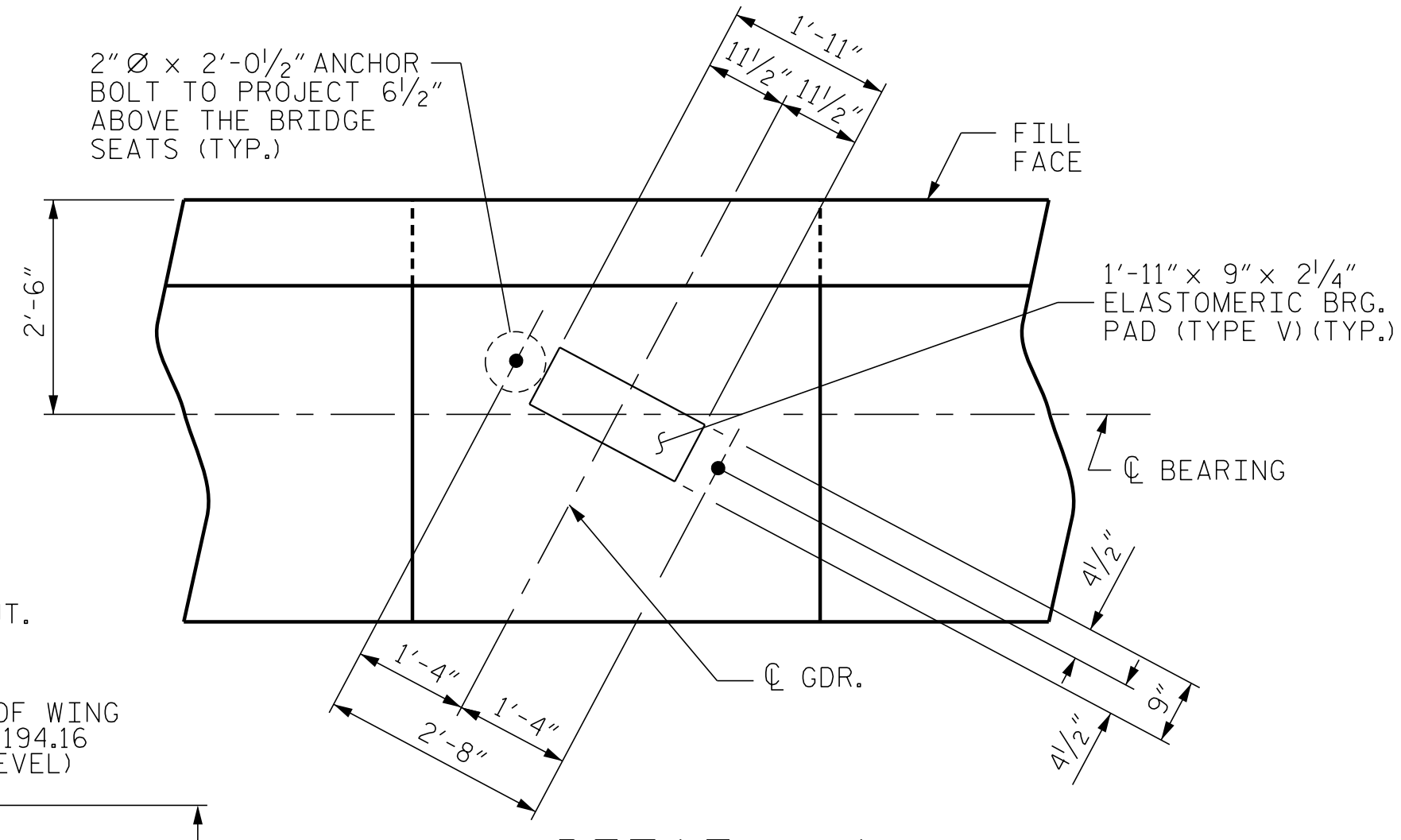
THE TOP SURFACE AREAS OF THE END BENT CAPS SHALL BE CURED IN ACCORDANCE WITH THE STANDARD SPECIFICATIONS EXCEPT THE MEMBRANE CURING COMPOUND METHOD SHALL NOT BE USED.

THE TOP SURFACE OF THE CAP EXCEPT THE BRIDGE SEAT BUILDUPS SHALL BE SLOPED TRANSVERSELY FROM THE FILL FACE TO THE BACK FACE AT THE RATE OF 2%.

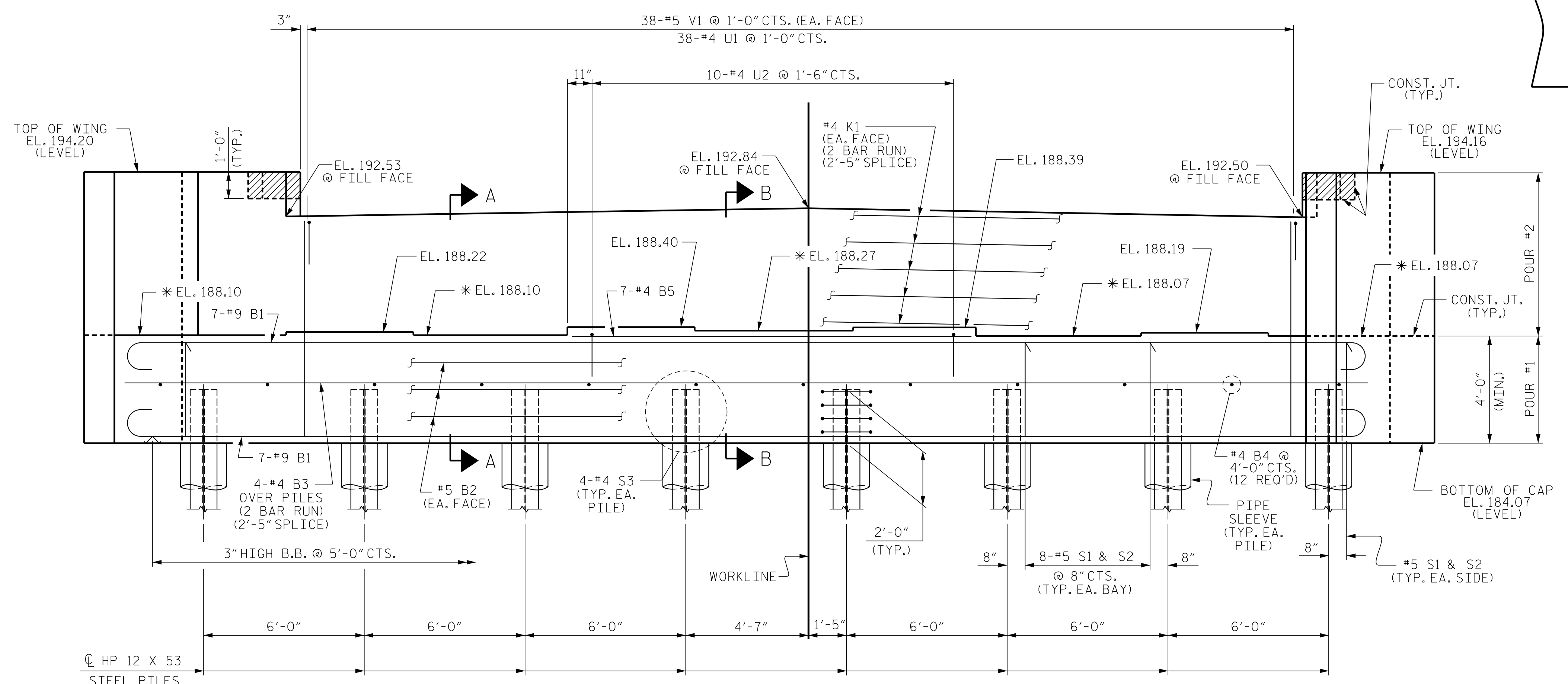
THE CONCRETE IN THE SHADED AREA OF THE WING SHALL BE POURED AFTER THE BARRIER RAILS ARE CAST IF SLIP FORMING IS USED.



PLAN

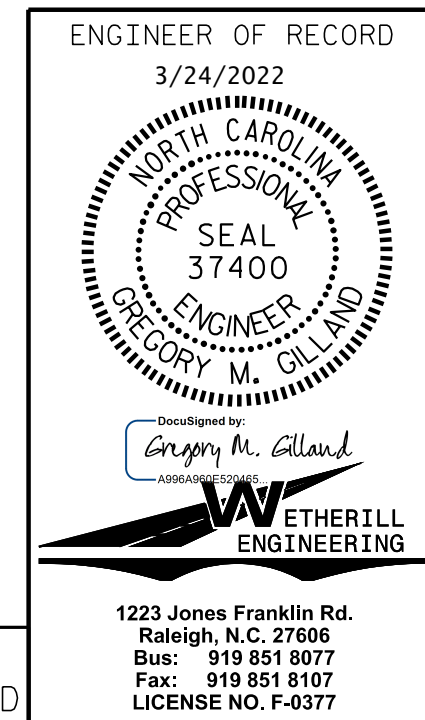


DETAIL "A"
(TYP. EA. GIRDER)



ELEVATION

PROJECT NO. I-5987B
ROBESON COUNTY
 STATION: 30+28.11 -Y6-
 SHEET 1 OF 3



STATE OF NORTH CAROLINA DEPARTMENT OF TRANSPORTATION RALEIGH		SUBSTRUCTURE END BENT No. 2	
REVISIONS			
NO.	BY:	DATE:	SHEET NO.
1			S8-23
2			TOTAL SHEETS 28

* FOR LOCATION OF ELEVATIONS BETWEEN BRIDGE SEAT BUILD-UPS, SEE SECTIONS A-A & B-B, SHEET 3 OF 3.

DOCUMENT NOT CONSIDERED FINAL UNLESS ALL SIGNATURES COMPLETED

P:\2020\20380\01_I-5987B_T95 Structures\DWG\401_001_I-5987B_SMU_EB_00 1.dgn
 3/8/2022 3:31:59 PM

DRAWN BY: D. HODGE DATE: 9/21
 CHECKED BY: JAD/GMG DATE: 11/21