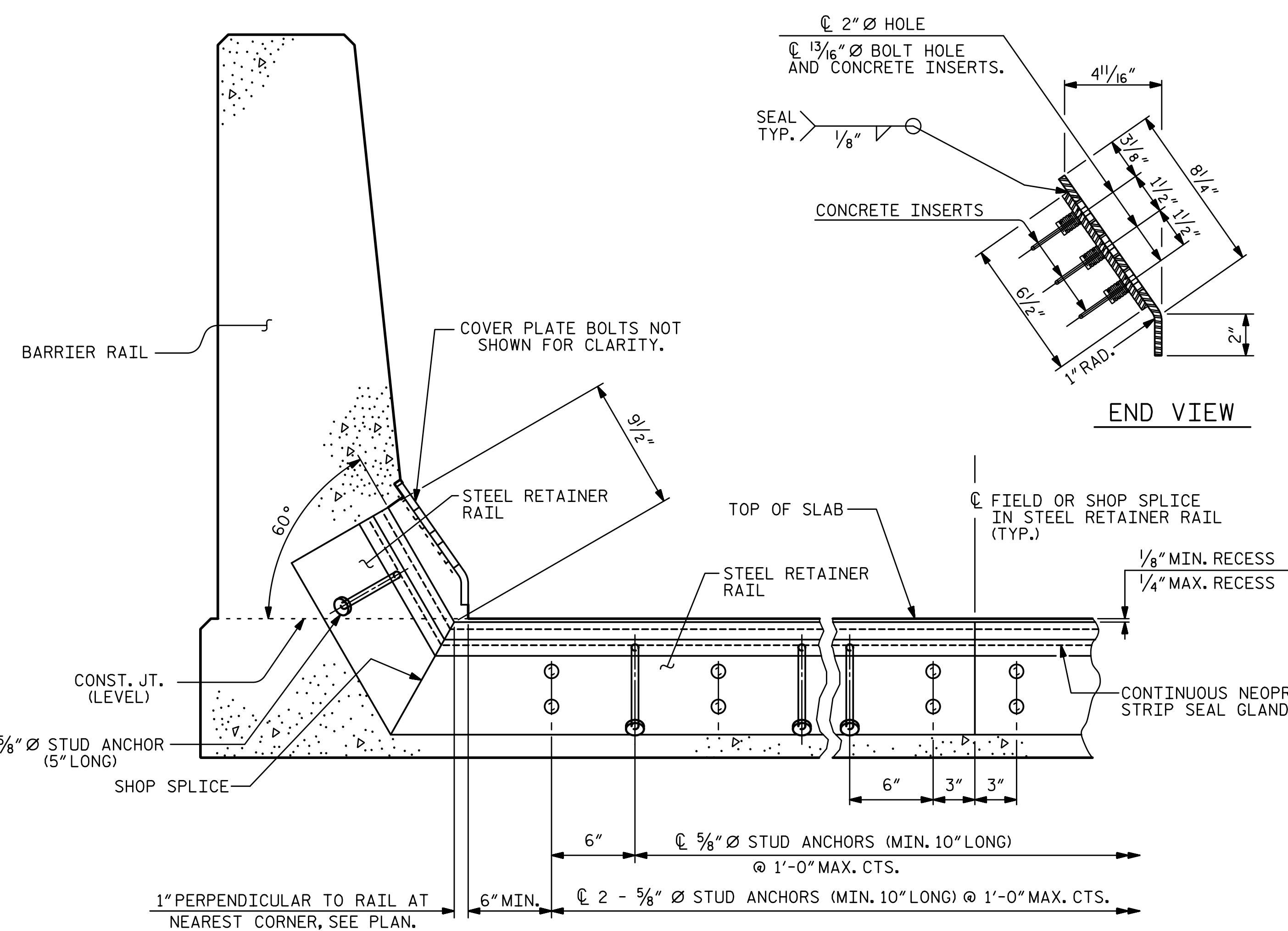
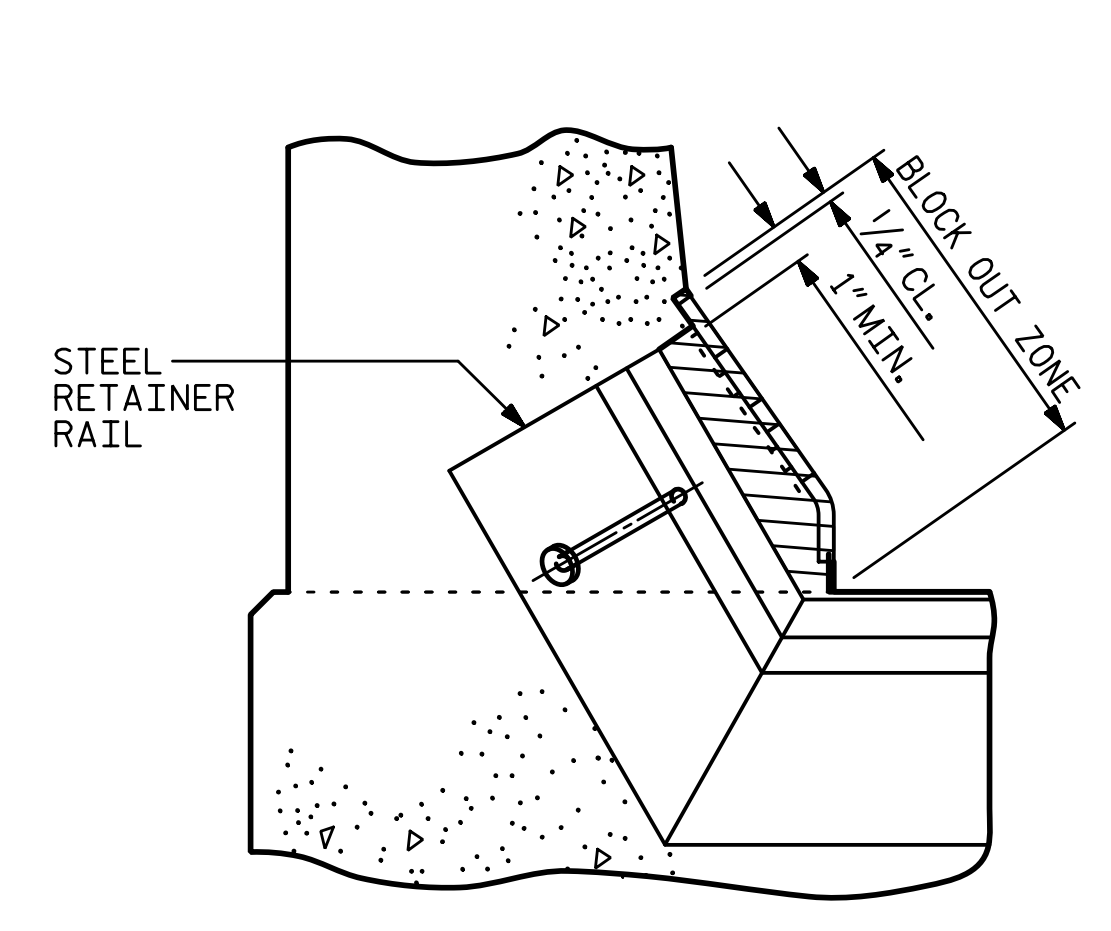


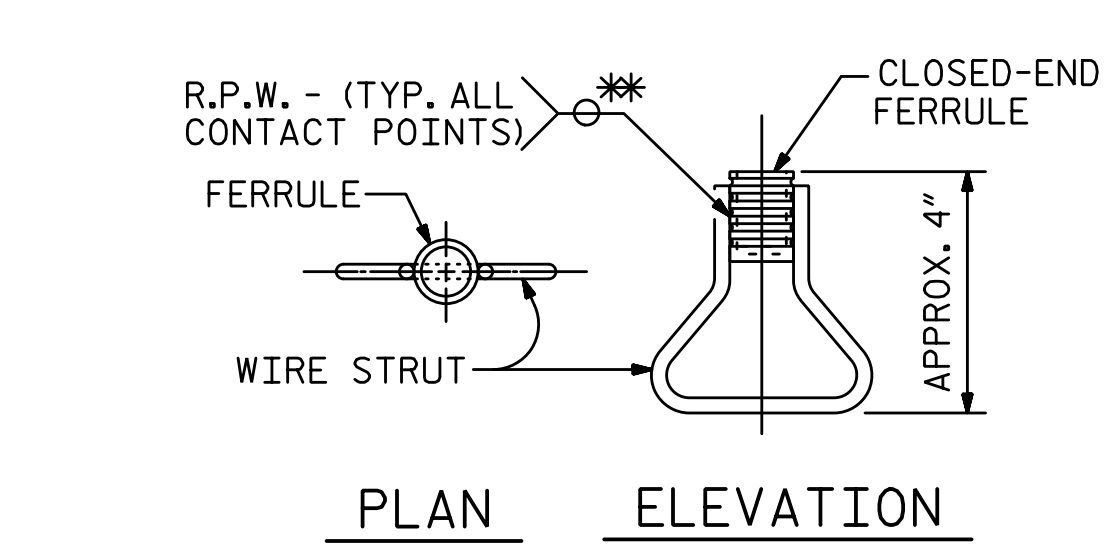
3/21/2022 9:08:49 AM G:\Projects\2020\Division 6 (Mott Mac - NV5)\I-5987B\Structures\Site 7 (Y1B over L)\Drawings\Final\I5987B-SMU-JT.dgn



SECTION THRU RAIL NORMAL TO JOINT

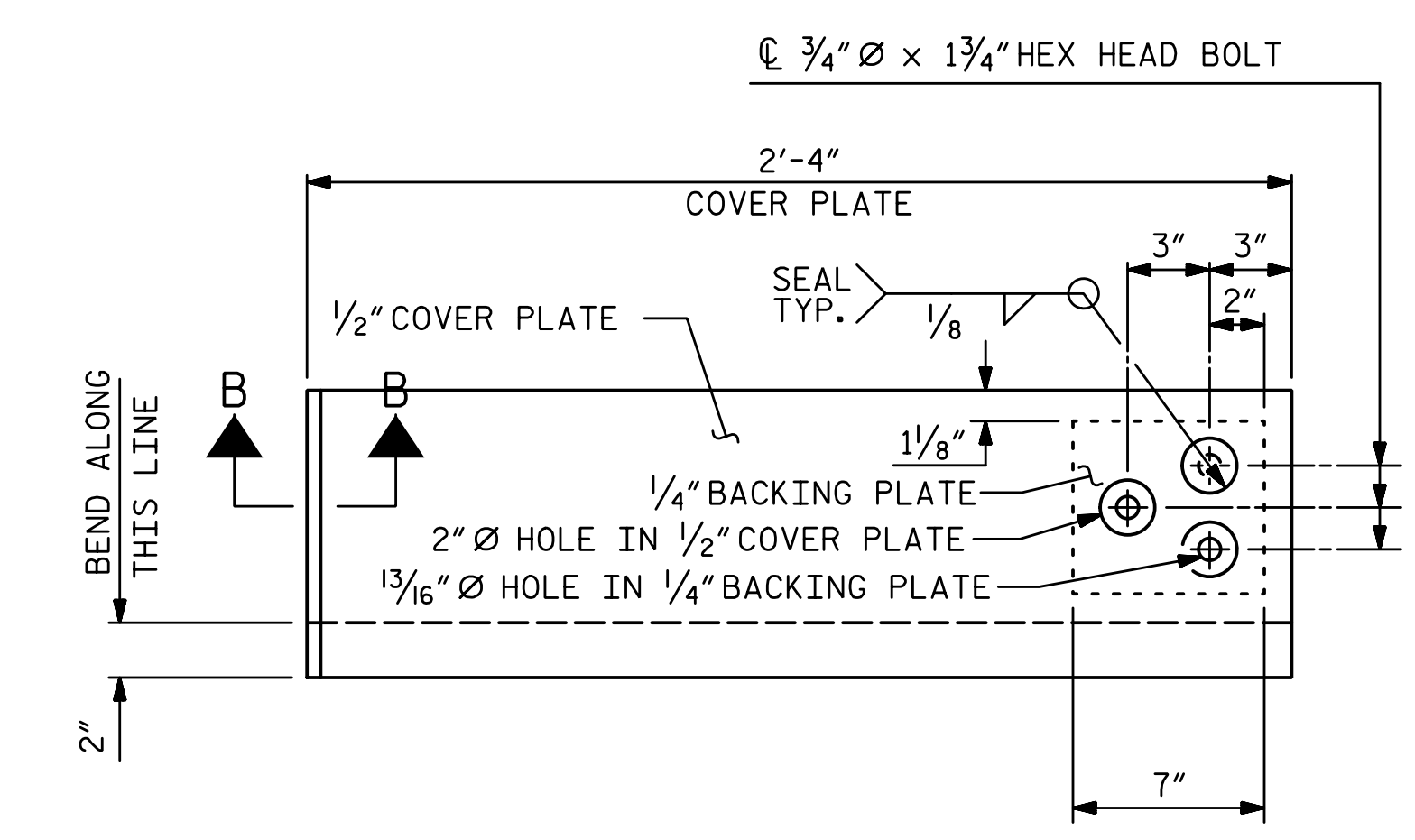


BLOCK OUT DETAIL

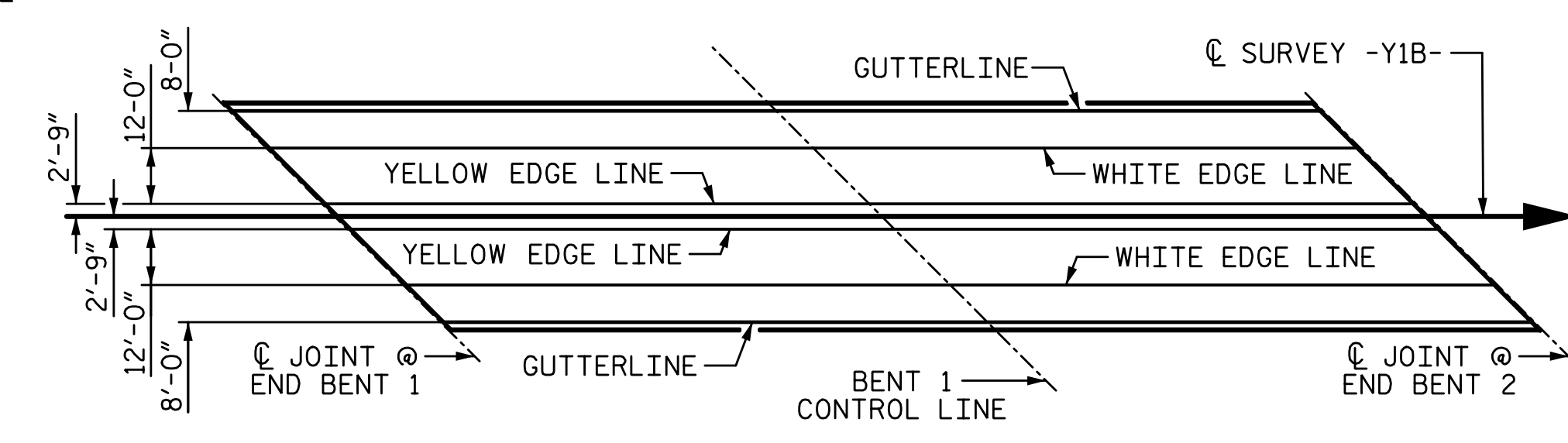
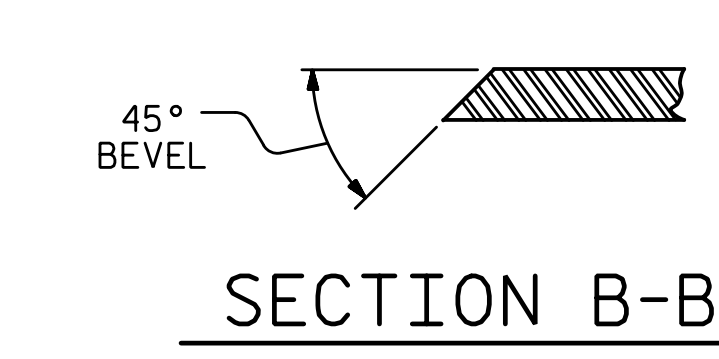


CONCRETE INSERT

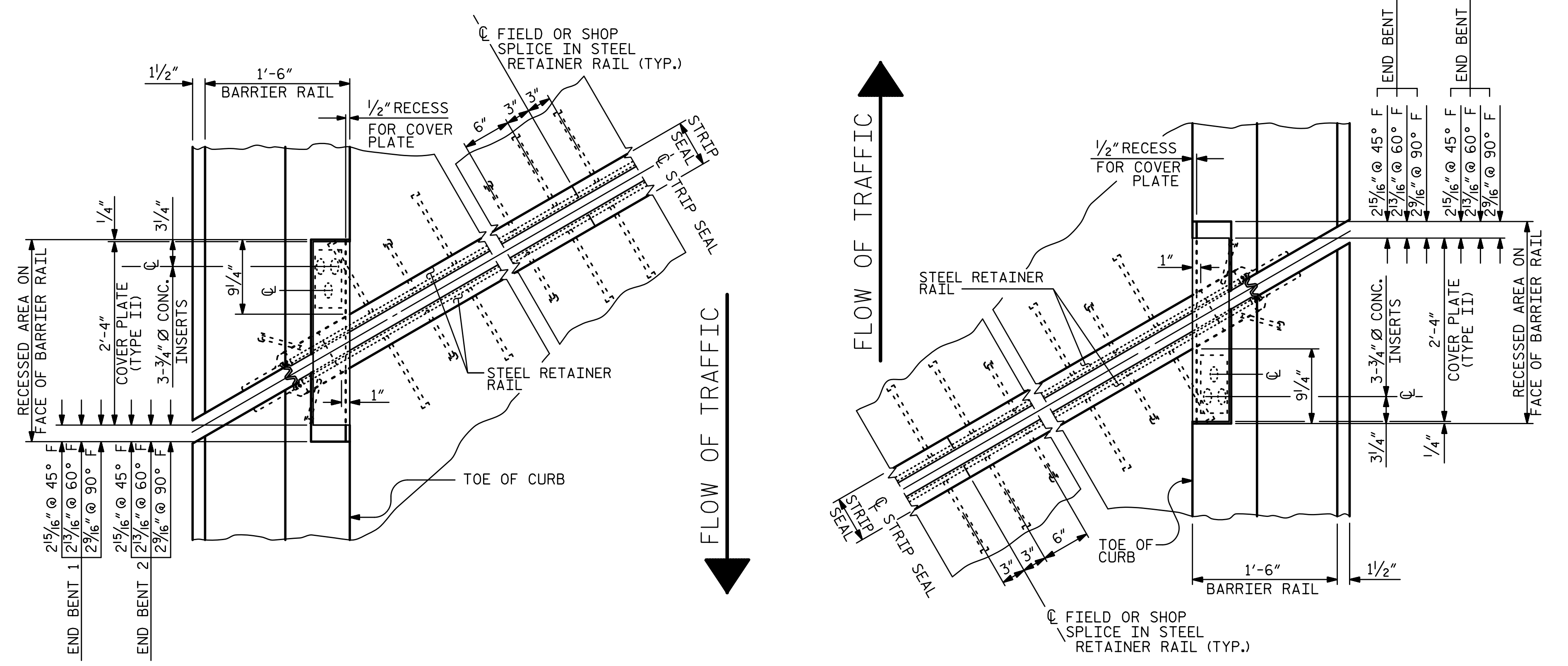
\* EACH WELDED ATTACHMENT OF WIRE TO FERRULE SHALL DEVELOP THE TENSILE STRENGTH OF THE WIRE.



TYPE II - ELEVATION VIEW  
COVER PLATE DETAILS



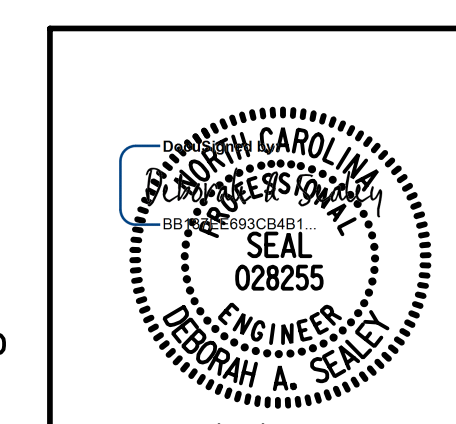
PAVEMENT MARKING ALIGNMENT



PLAN OF STRIP SEAL EXPANSION JOINT

PROJECT NO. I-5987B  
ROBESON COUNTY  
 STATION: 29+51.04 -Y1B-  
 SHEET 2 OF 2

STATE OF NORTH CAROLINA  
 DEPARTMENT OF TRANSPORTATION  
 RALEIGH  
 SUPERSTRUCTURE  
**STRIP SEAL EXPANSION  
 JOINT SEAL DETAILS**



DRAWN BY: T. BANKOVICH DATE: 3-22  
 CHECKED BY: D.A. SEALEY DATE: 3-22  
 DESIGN ENGINEER OF RECORD: D.A. SEALEY DATE: 3-22

REVISIONS						SHEET NO.
NO.	BY:	DATE:	NO.	BY:	DATE:	S7-19
1			3			TOTAL SHEETS
2			4			37

**DOCUMENT NOT CONSIDERED FINAL  
 UNLESS ALL SIGNATURES COMPLETED**