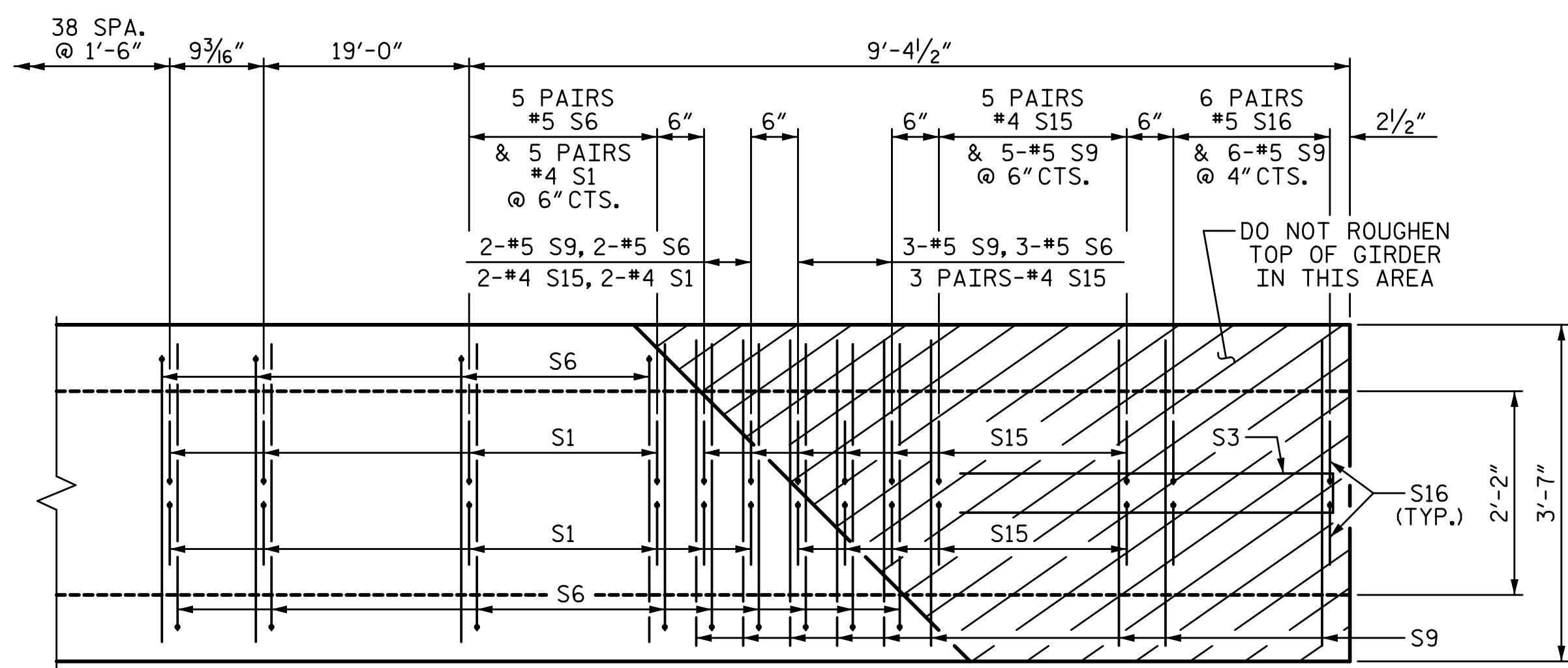
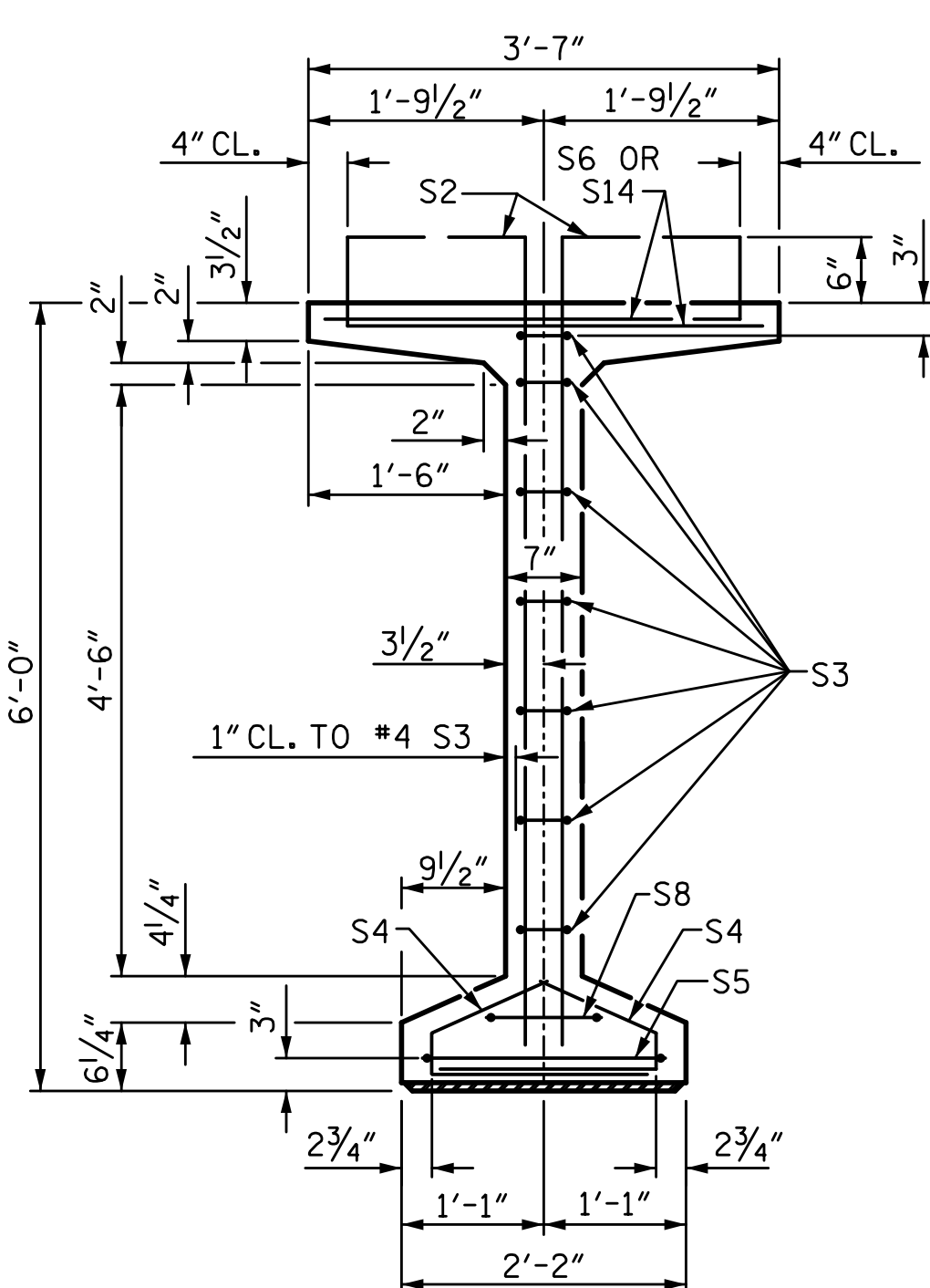


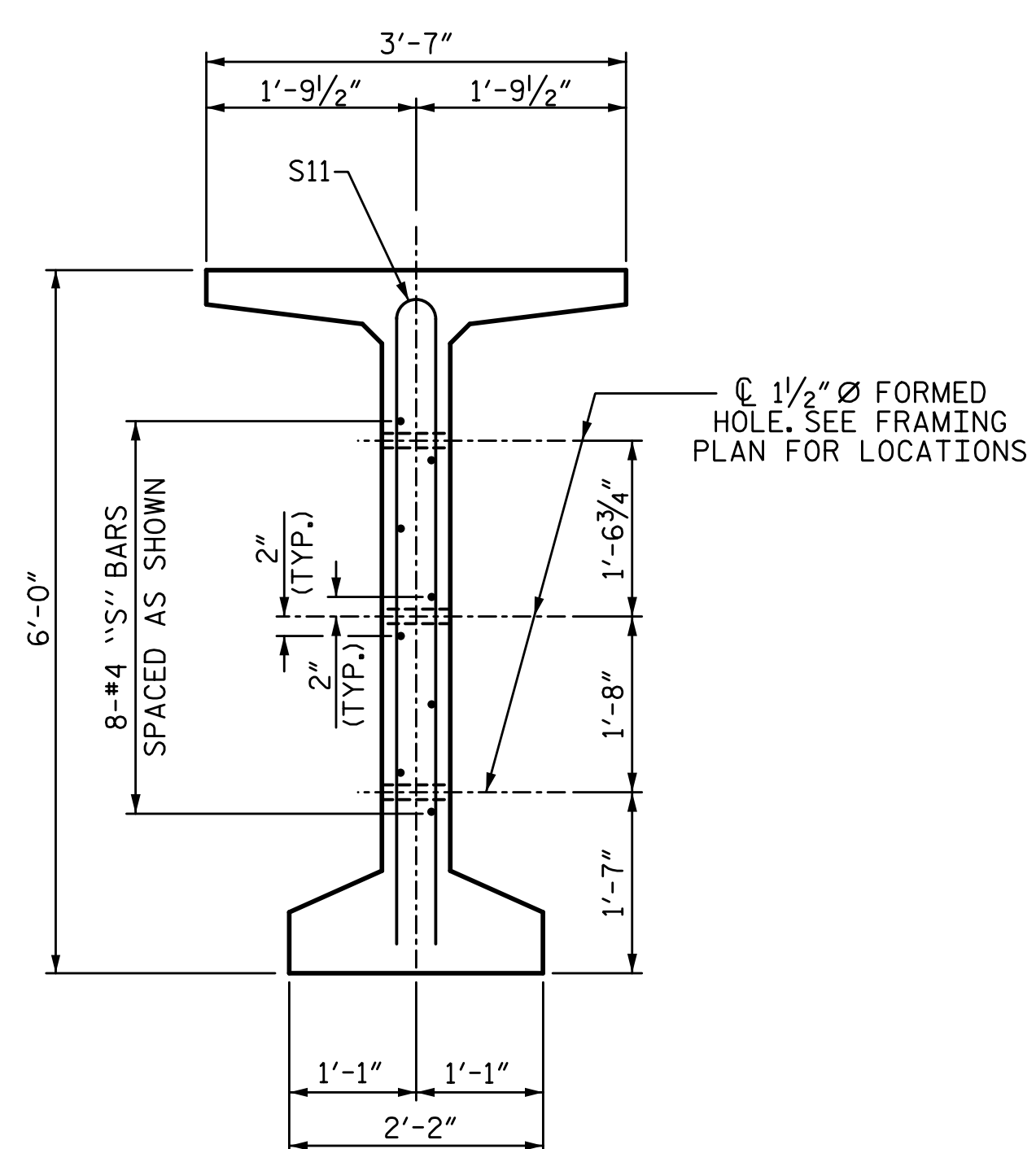
3/21/2022 9:08:45 AM G:\Projects\2020\Division 6 (Mott) Mac - NV5\I-5987B\Structures\Site 7 (Y1B over L)\Drawings\Final\I5987B_SMU_G.dgn



PLAN OF GIRDER

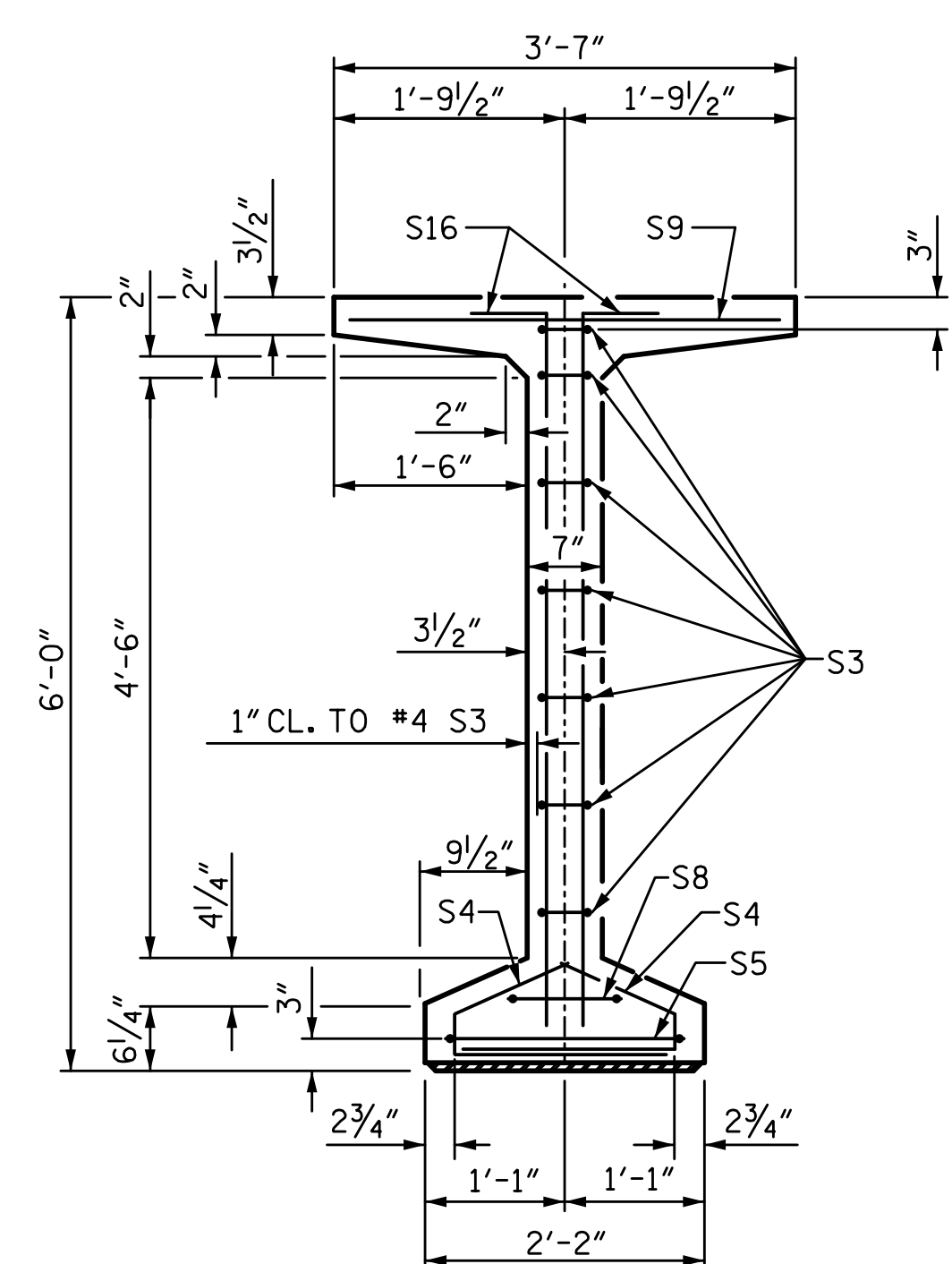


SECTION A-A

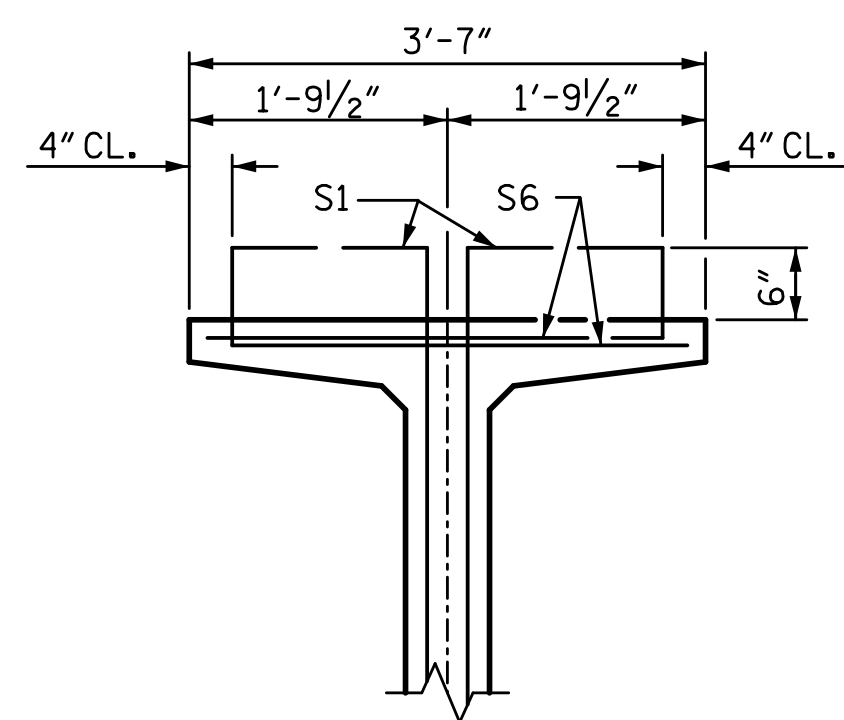


SECTION B-B

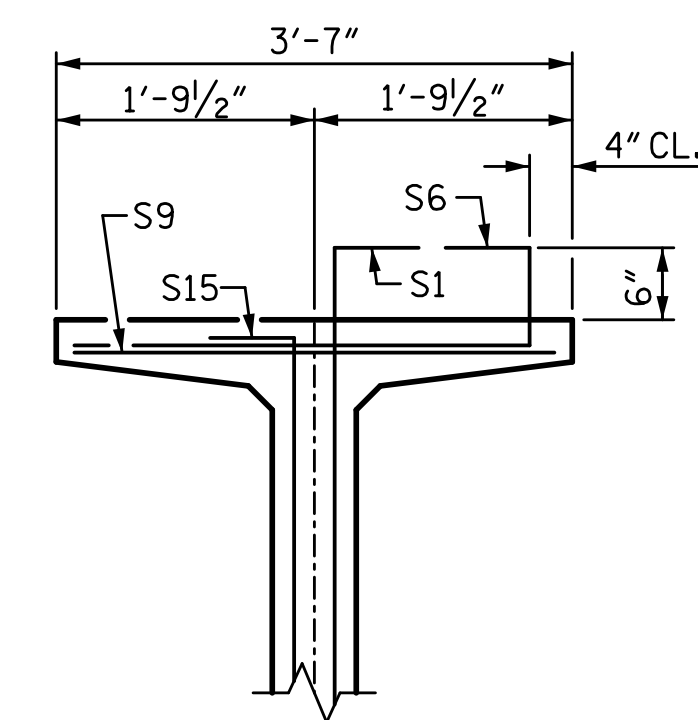
(S1, S6 AND S9 BARS NOT SHOWN)



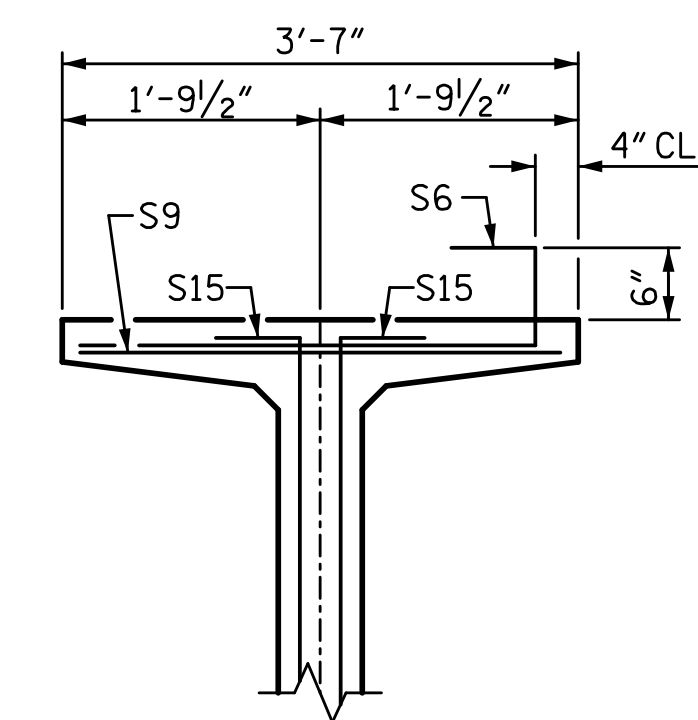
SECTION F-F



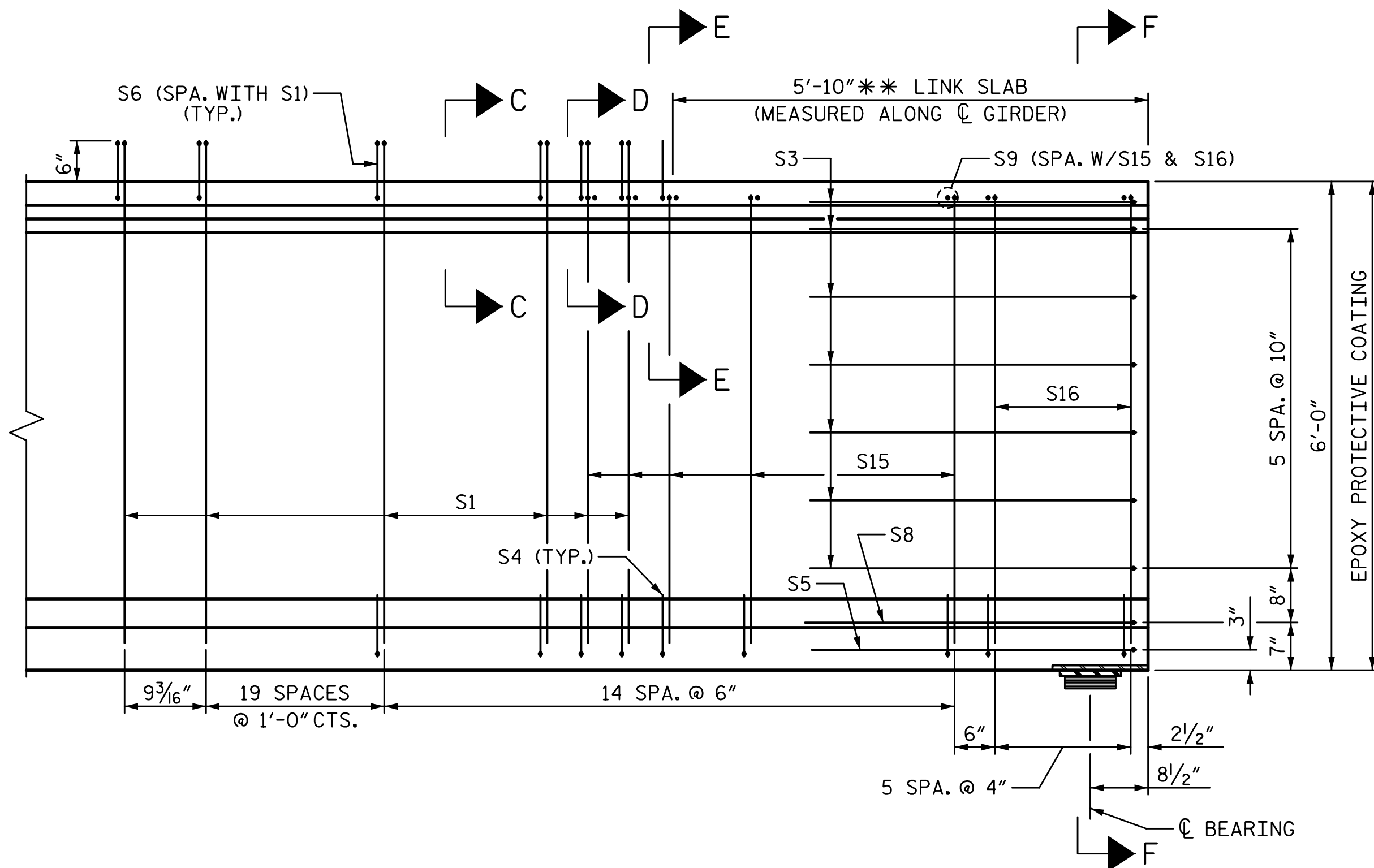
PARTIAL SECTION C-C
SHOWING "S" BARS



PARTIAL SECTION D-D
SHOWING "S" BARS



PARTIAL SECTION E-E
SHOWING "S" BARS



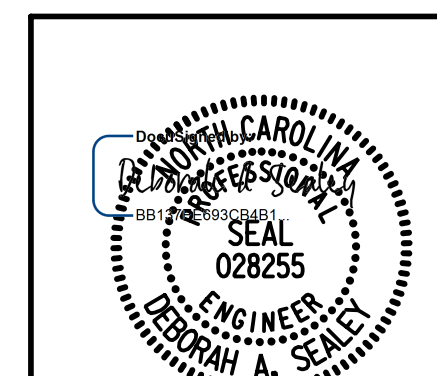
ELEVATION OF GIRDER

** DO NOT ROUGHEN TOP OF GIRDER IN THIS AREA.

DETAIL "B"

PROJECT NO. I-5987B
ROBESON COUNTY
 STATION: 29+51.04 -Y1B-

SHEET 2 OF 2



STATE OF NORTH CAROLINA
 DEPARTMENT OF TRANSPORTATION
 RALEIGH
 SUPERSTRUCTURE
 72" PRESTRESSED
 CONCRETE MODIFIED
 BULB TEE
 SPANS A & B

DRAWN BY: T. BANKOVICH DATE: 3-22
 CHECKED BY: D.A. SEALEY DATE: 3-22
 DESIGN ENGINEER OF RECORD: D.A. SEALEY DATE: 3-22

LICENSURE NO. C-4434

3/21/2022

DOCUMENT NOT CONSIDERED FINAL
 UNLESS ALL SIGNATURES COMPLETED

REVISIONS						SHEET NO.
NO.	BY:	DATE:	NO.	BY:	DATE:	S7-14
1			3			TOTAL SHEETS
2			4			37