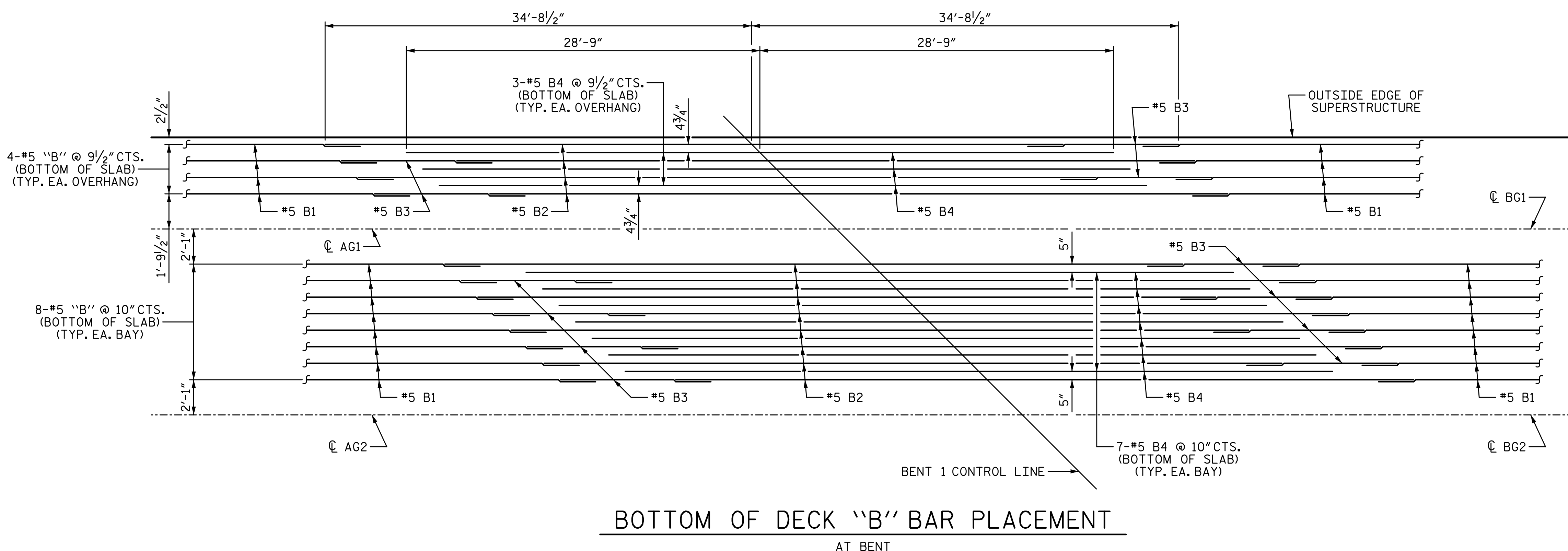
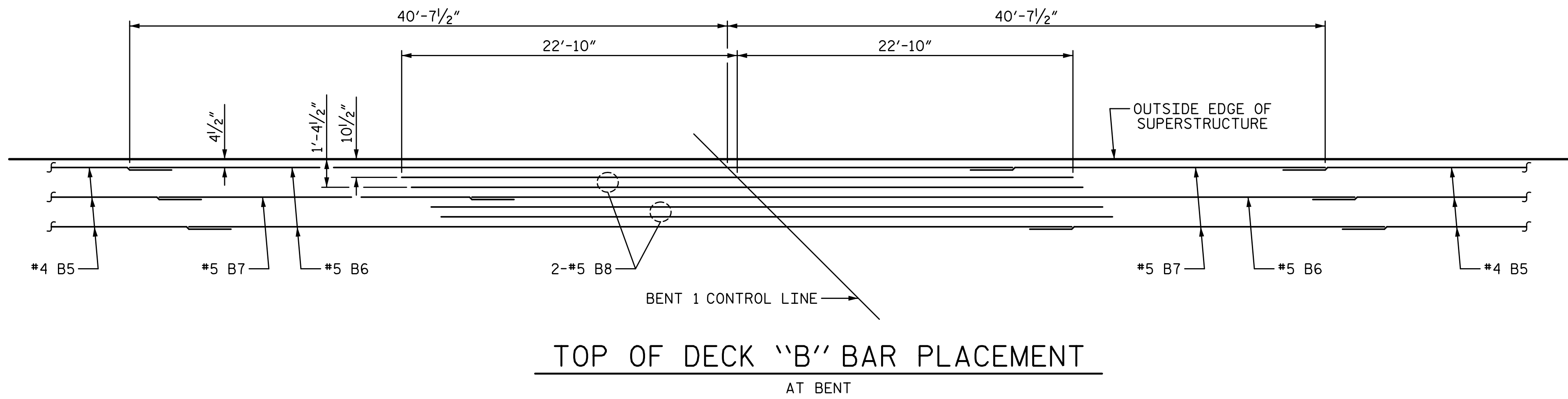


3/21/2022 9:08:42 AM G:\Projects\2020\Division 6 (Mott Mac - NV5)\I-5987B\Structures\Site 7 (Y1B over L)\Drawings\Final\I5987B\_SMU\_S.dgn

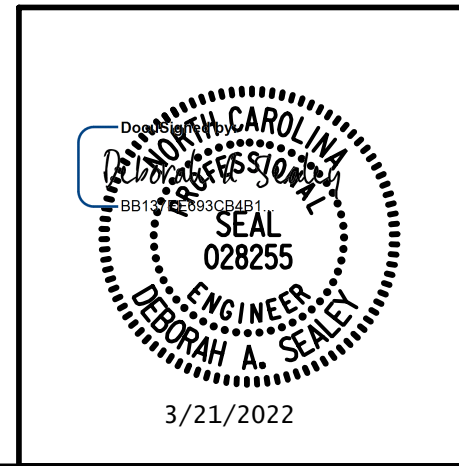


PROJECT NO. I-5987B  
ROBESON COUNTY  
 STATION: 29+51.04 -Y1B-

SHEET 3 OF 3

STATE OF NORTH CAROLINA  
 DEPARTMENT OF TRANSPORTATION  
 RALEIGH  
 SUPERSTRUCTURE

**PLAN OF SPANS**



DRAWN BY: T. BANKOVICH	DATE: 3-22
CHECKED BY: D.A. SEALEY	DATE: 3-22
DESIGN ENGINEER OF RECORD: D.A. SEALEY	DATE: 3-22

REVISIONS						SHEET NO.
NO.	BY:	DATE:	NO.	BY:	DATE:	S7-11
1			3			TOTAL SHEETS
2			4			37

**DOCUMENT NOT CONSIDERED FINAL  
UNLESS ALL SIGNATURES COMPLETED**