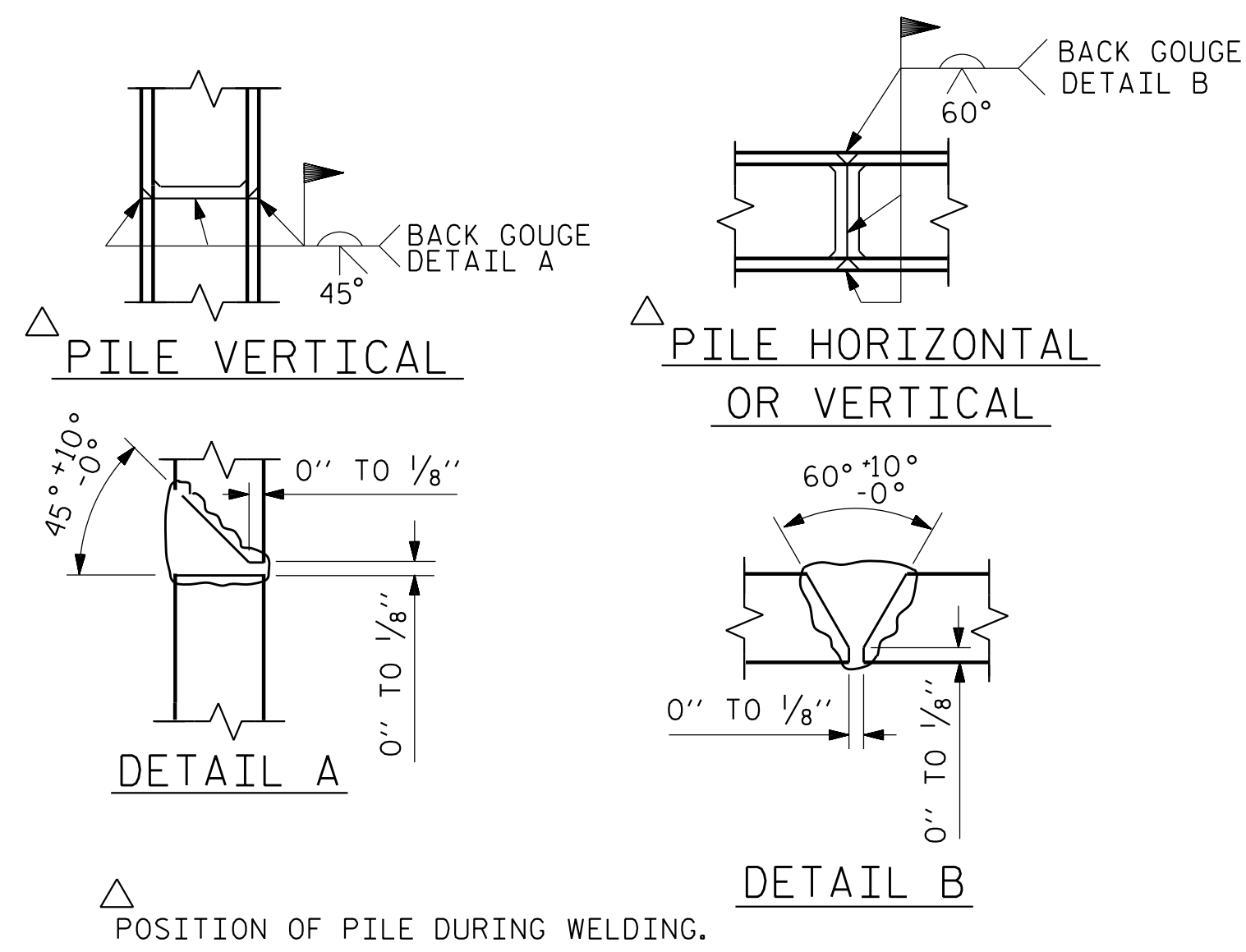


BAGGED STONE AND PIPE SHALL BE PLACED IMMEDIATELY AFTER COMPLETION OF END BENT EXCAVATION. PIPE MAY BE EITHER CONCRETE, CORRUGATED STEEL, CORRUGATED ALUMINUM ALLOY, OR CORRUGATED PLASTIC. PERFORATED PIPE WILL NOT BE ALLOWED.

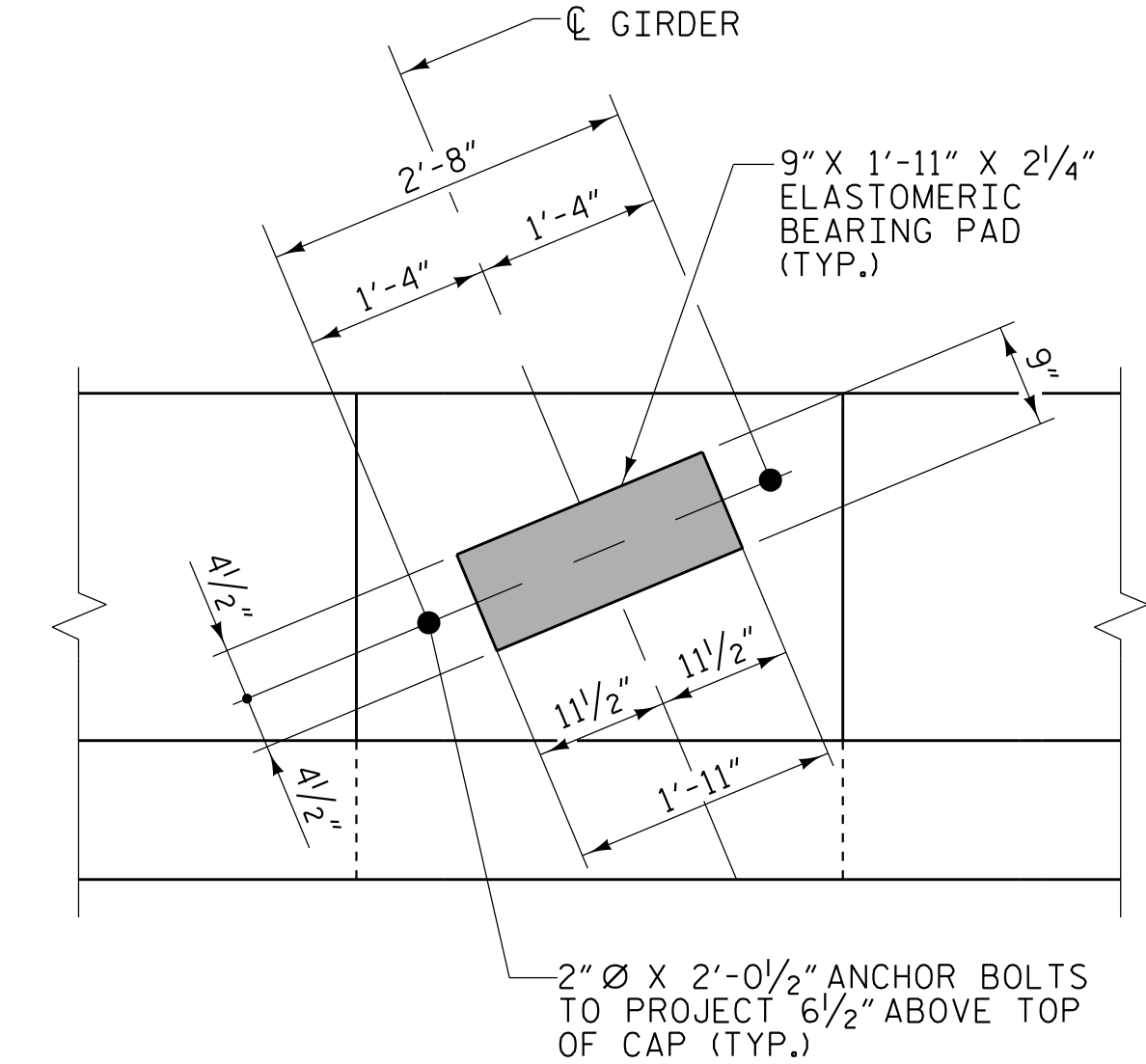
BAGGED STONE SHALL REMAIN IN PLACE UNTIL THE ENGINEER DIRECTS THAT IT BE REMOVED. THE CONTRACTOR SHALL REMOVE AND DISPOSE OF SILT ACCUMULATIONS AT BAGGED STONE WHEN SO DIRECTED BY THE ENGINEER. BAGS SHALL BE REMOVED AND REPLACED WHENEVER THE ENGINEER DETERMINES THAT THEY HAVE DETERIORATED AND LOST THEIR EFFECTIVENESS.

NO SEPARATE PAYMENT WILL BE MADE FOR THIS WORK AND THE ENTIRE COST OF THIS WORK SHALL BE INCLUDED IN THE UNIT CONTRACT PRICE BID FOR THE SEVERAL PAY ITEMS.

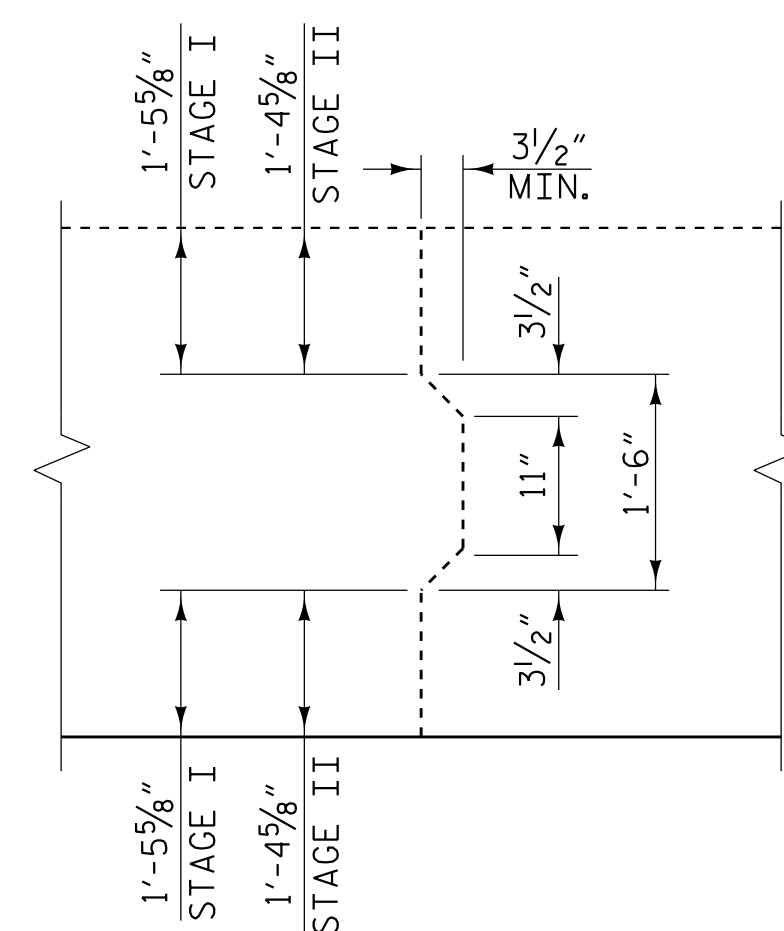
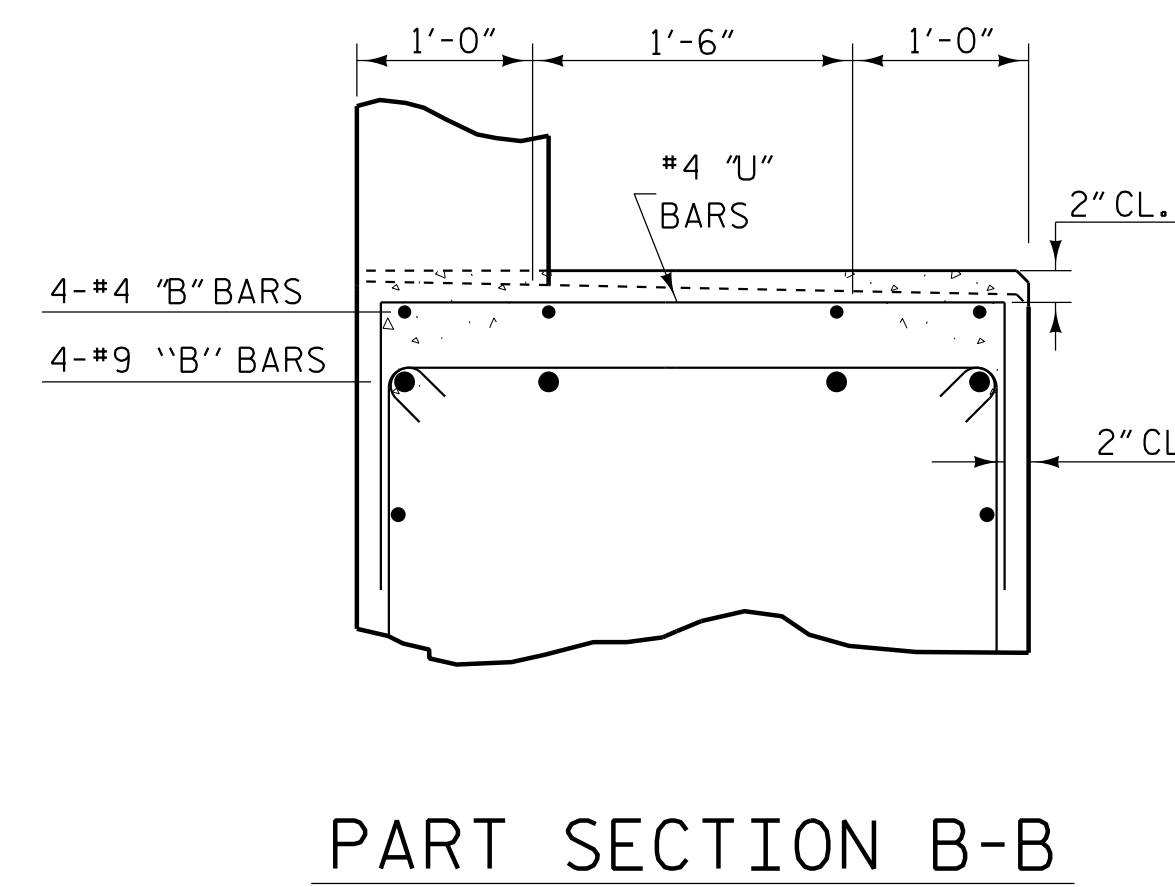
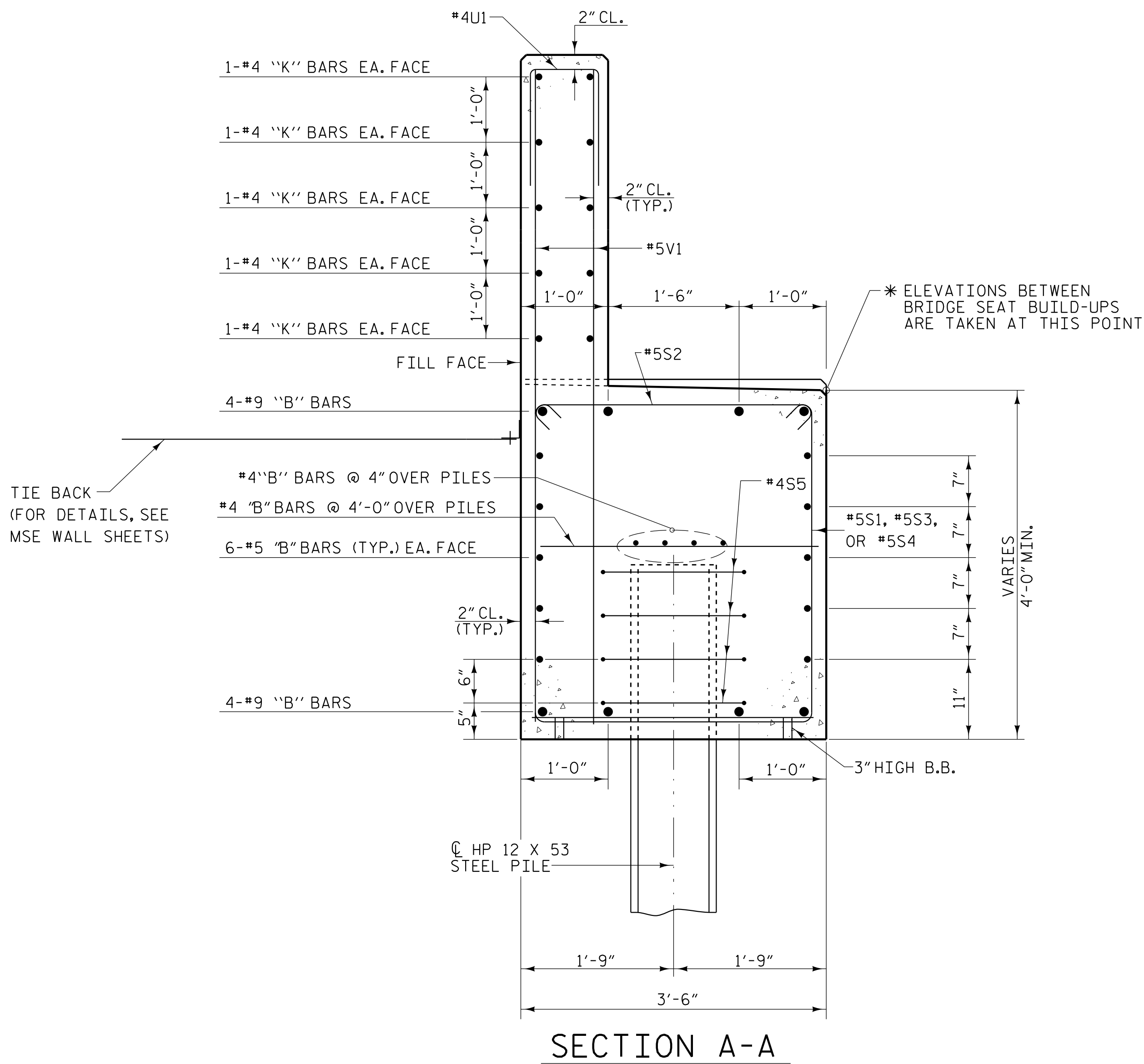
**TEMPORARY DRAINAGE AT END BENT**



**PILE SPLICE DETAILS**



**DETAIL "A"**  
(TYP. EACH GIRDER)



PROJECT NO. I-5987B  
ROBESON COUNTY  
 STATION: 617+12.20 -L- POT

SHEET 3 OF 4

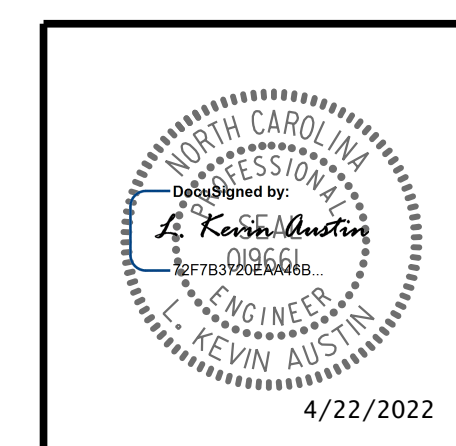
STATE OF NORTH CAROLINA  
 DEPARTMENT OF TRANSPORTATION  
 RALEIGH

SUBSTRUCTURE  
 END BENT 2  
 DETAILS

PLANS PREPARED BY:

**NV5**

NV5 ENGINEERS & CONSULTANTS, INC.  
 3300 REGENCY PARKWAY, SUITE 100  
 CARY, NC 27518  
 P: 919.851.1912 www.NV5.com  
 NC License # F-1333



REVISIONS						SHEET NO.
NO.	BY:	DATE:	NO.	BY:	DATE:	S6-47
1			3			TOTAL SHEETS
2			4			53

DRAWN BY :	W.B. ALLEN	DATE :	12/21
CHECKED BY :	M.D. METZGER	DATE :	12/21
DESIGN ENGINEER OF RECORD:	L. K. AUSTIN	DATE :	01/22

**DOCUMENT NOT CONSIDERED FINAL  
 UNLESS ALL SIGNATURES COMPLETED**

4/20/2022 11:40 AM G:\Project\2019\2019\7\03\CLIENT\Structures\I-5987B (15) - NC 2019\987B\_SML\ET\_77069.dgn