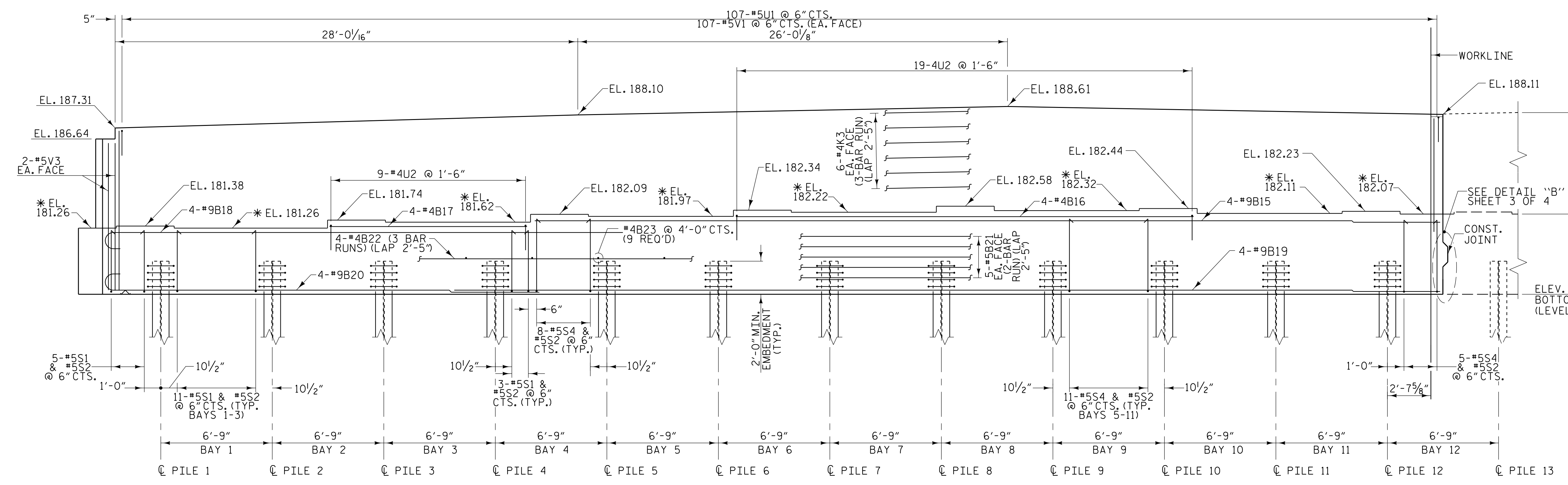


PLAN



ELEVATION

\* FOR LOCATION OF ELEVATIONS BETWEEN BRIDGE SEAT BUILD-UPS, SEE SECTIONS A-A & B-B, SHEET 3 OF 4

PROJECT NO. I-5987B  
ROBESON COUNTY  
 STATION: 617+12.20 -L- POT

SHEET 2 OF 4

STATE OF NORTH CAROLINA  
 DEPARTMENT OF TRANSPORTATION  
 RALEIGH  
 SUBSTRUCTURE  
 END BENT 2  
 STAGE III

REVISIONS				SHEET NO.	
NO.	BY:	DATE:	NO.	BY:	DATE:
1			3		
2			4		
					TOTAL SHEETS 53
					S6-46

DRAWN BY: W.B. ALLEN DATE: 12/21  
 CHECKED BY: M.D. METZGER DATE: 12/21  
 DESIGN ENGINEER OF RECORD: L. K. AUSTIN DATE: 01/22

PLANS PREPARED BY:

**NV5**

NV5 ENGINEERS & CONSULTANTS, INC.  
 3300 REGENCY PARKWAY, SUITE 100  
 CARY, NC 27518  
 P: 919.851.1912 www.NV5.com  
 NC License # F-1333



**DOCUMENT NOT CONSIDERED FINAL  
 UNLESS ALL SIGNATURES COMPLETED**

4/20/2022 10:43:39 AM G:\Project\2009\20957\03\CLIENT\Structures\I-5987B (I)5 - NC 2016\987B\_SML\16\_170619.dgn