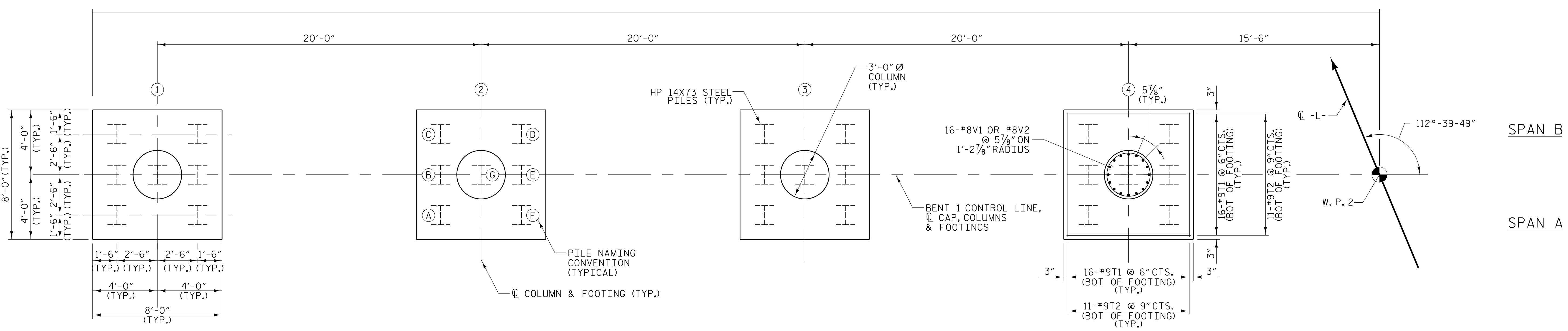


STAGE I & STAGE II



STAGE III

PLAN OF COLUMNS AND FOOTINGS

PROJECT NO. I-5987B
ROBESON COUNTY
 STATION: 617+12.20 -L- POT

SHEET 3 OF 5

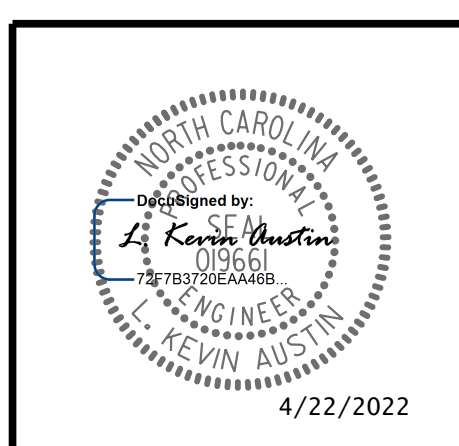
STATE OF NORTH CAROLINA
 DEPARTMENT OF TRANSPORTATION
 RALEIGH

SUBSTRUCTURE
 BENT 1
 DETAILS

PLANS PREPARED BY:

NV5

NV5 ENGINEERS & CONSULTANTS, INC.
 3300 REGENCY PARKWAY, SUITE 100
 CARY, NC 27518
 P: 919.851.1912 www.NV5.com
 NC License # F-1333



REVISIONS						SHEET NO.
NO.	BY:	DATE:	NO.	BY:	DATE:	TOTAL SHEETS
1			3			56-42
2			4			53

DRAWN BY :	W.B. ALLEN	DATE :	12/21
CHECKED BY :	M.D. METZGER	DATE :	12/21
DESIGN ENGINEER OF RECORD:	L. K. AUSTIN	DATE :	01/22

**DOCUMENT NOT CONSIDERED FINAL
 UNLESS ALL SIGNATURES COMPLETED**

4/20/2022 11:35 AM G:\Project\2019\2019\7\03\CLIENT\Structures\I-5987B (1)5 - NC 2019\987B_SMU B3_770193.dgn