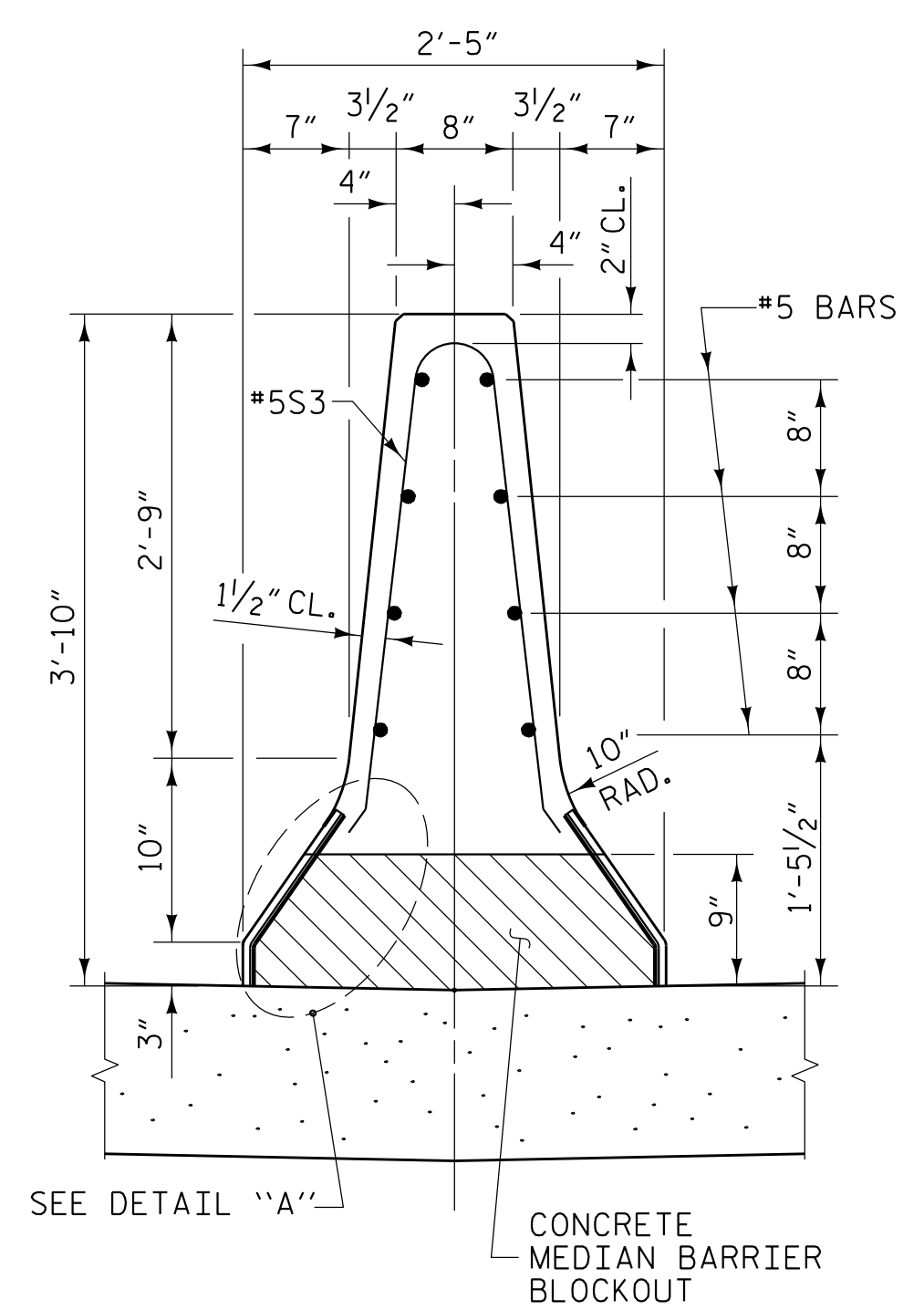
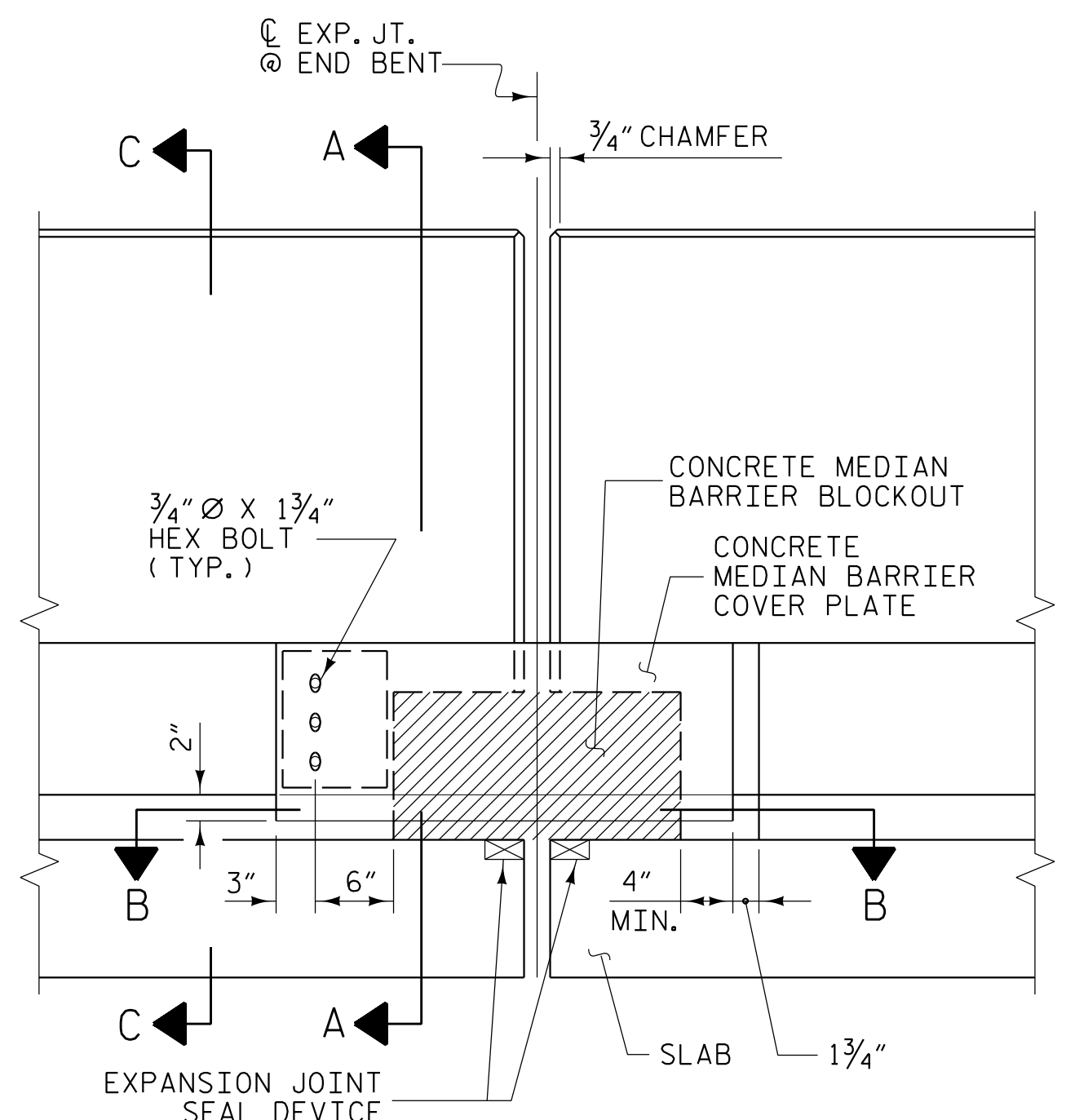


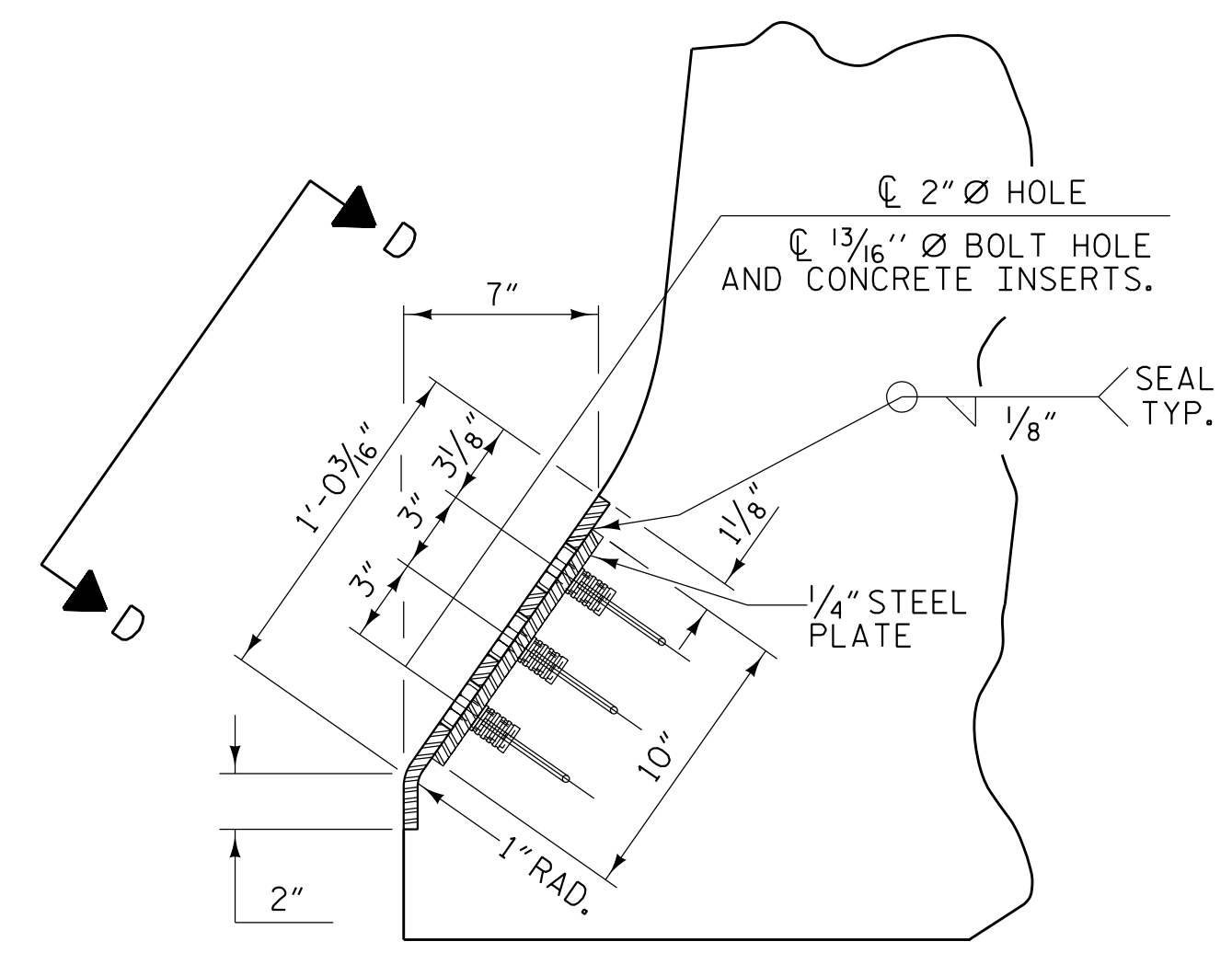
NOTE:
 NO SEPARATE PAYMENT WILL BE MADE FOR FINISHING AND INSTALLING THE COVER PLATE. THE ENTIRE COST OF THIS WORK SHALL BE INCLUDED IN THE LUMP SUM PRICE FOR EXPANSION JOINT SEALS.



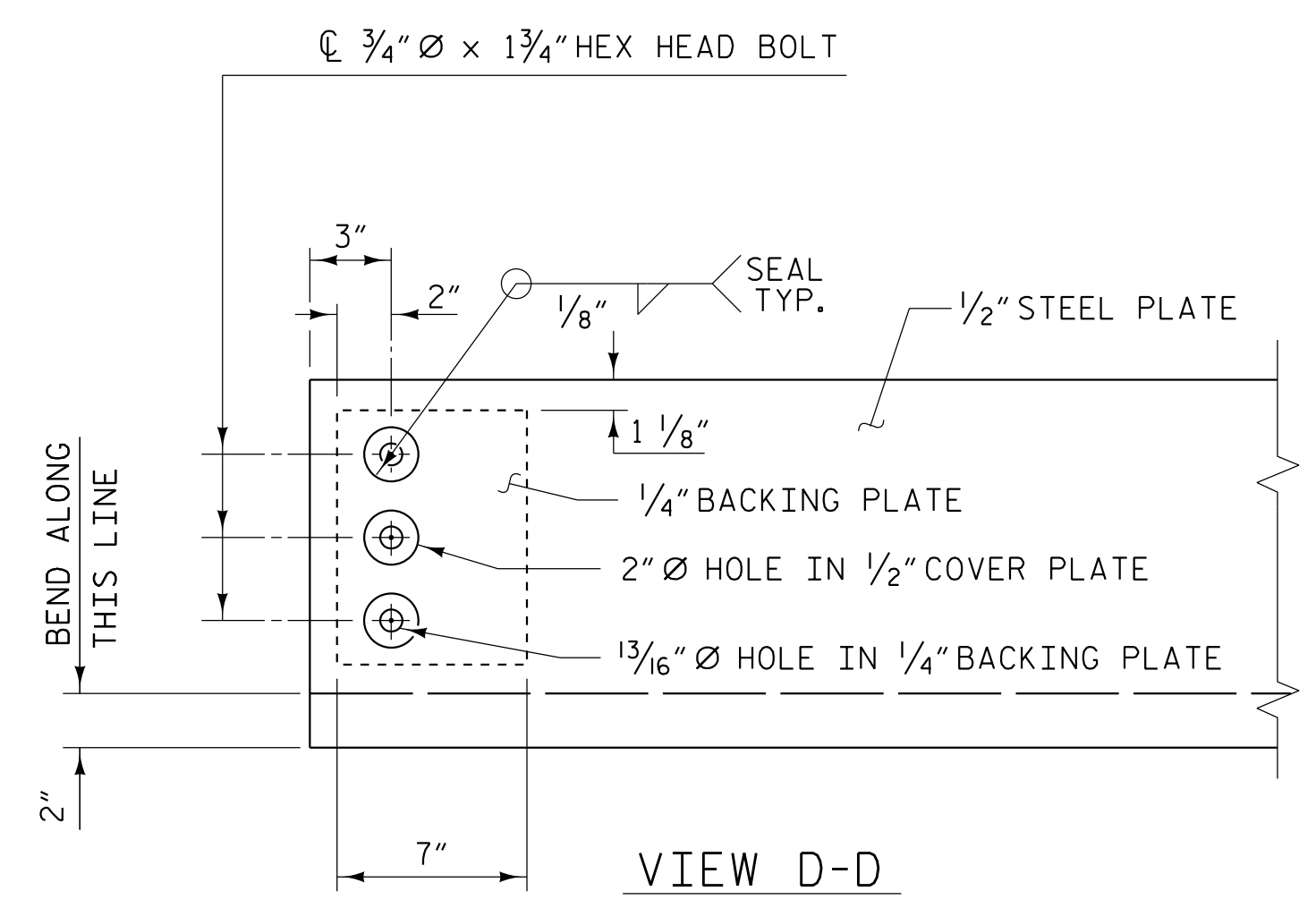
SECTION A-A



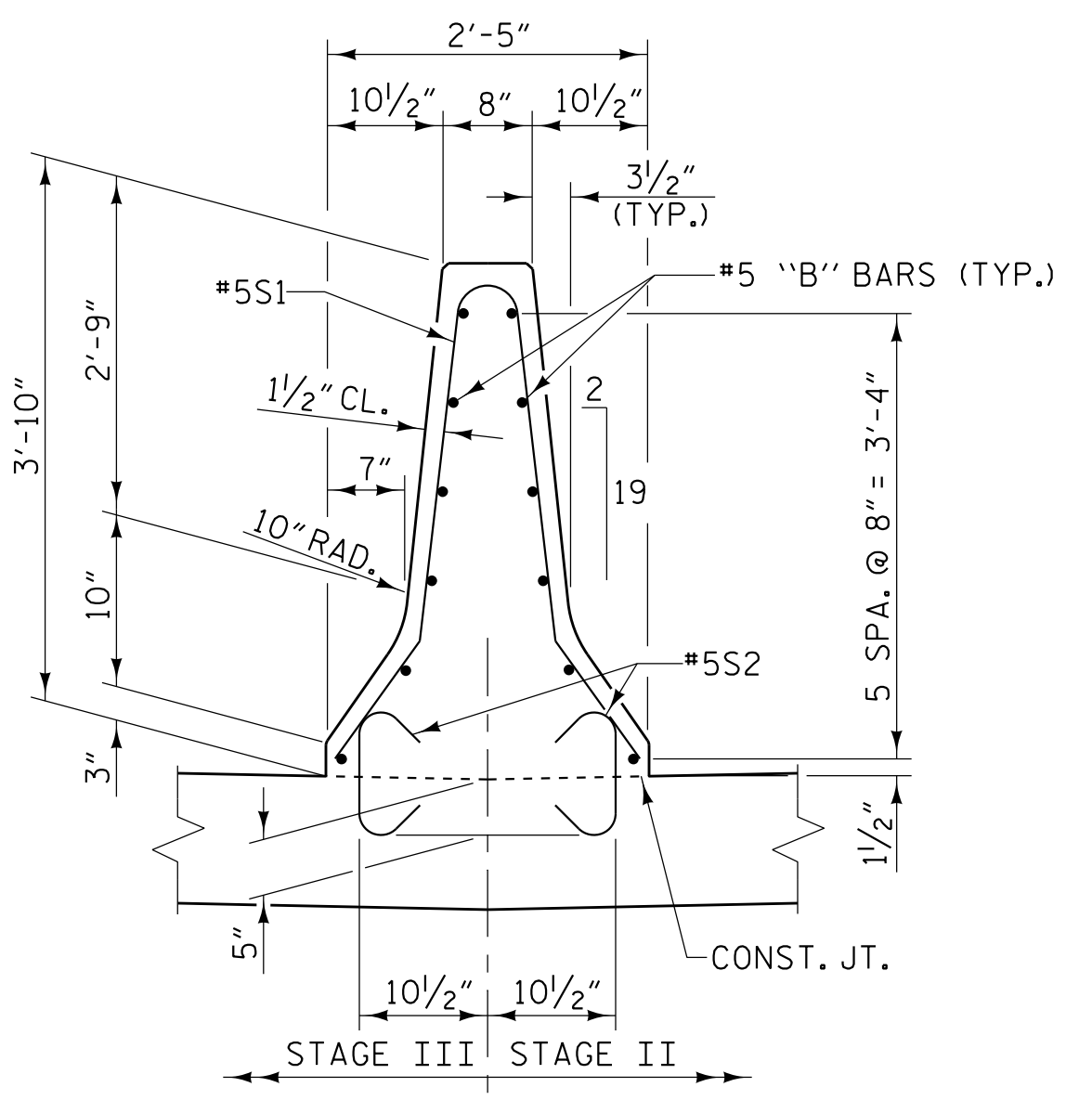
ELEVATION @ EXP. JOINT



DETAIL "A"

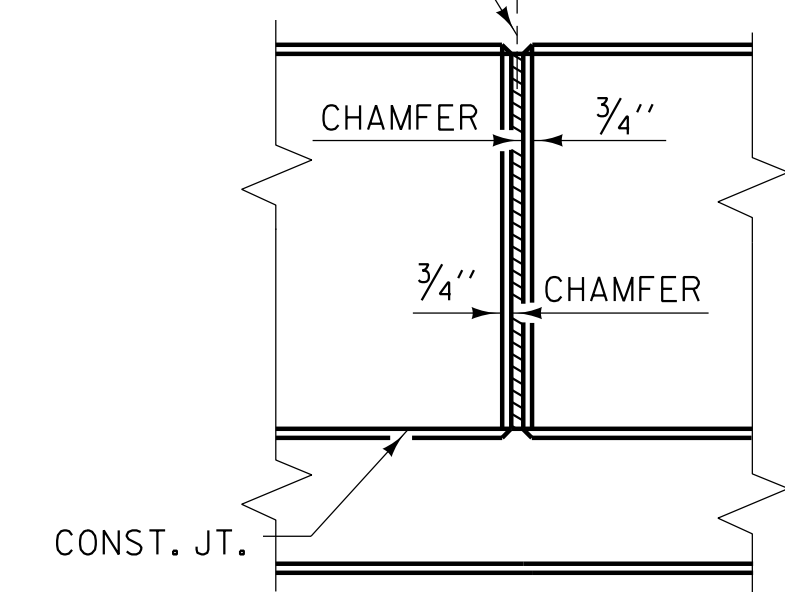


VIEW D-D

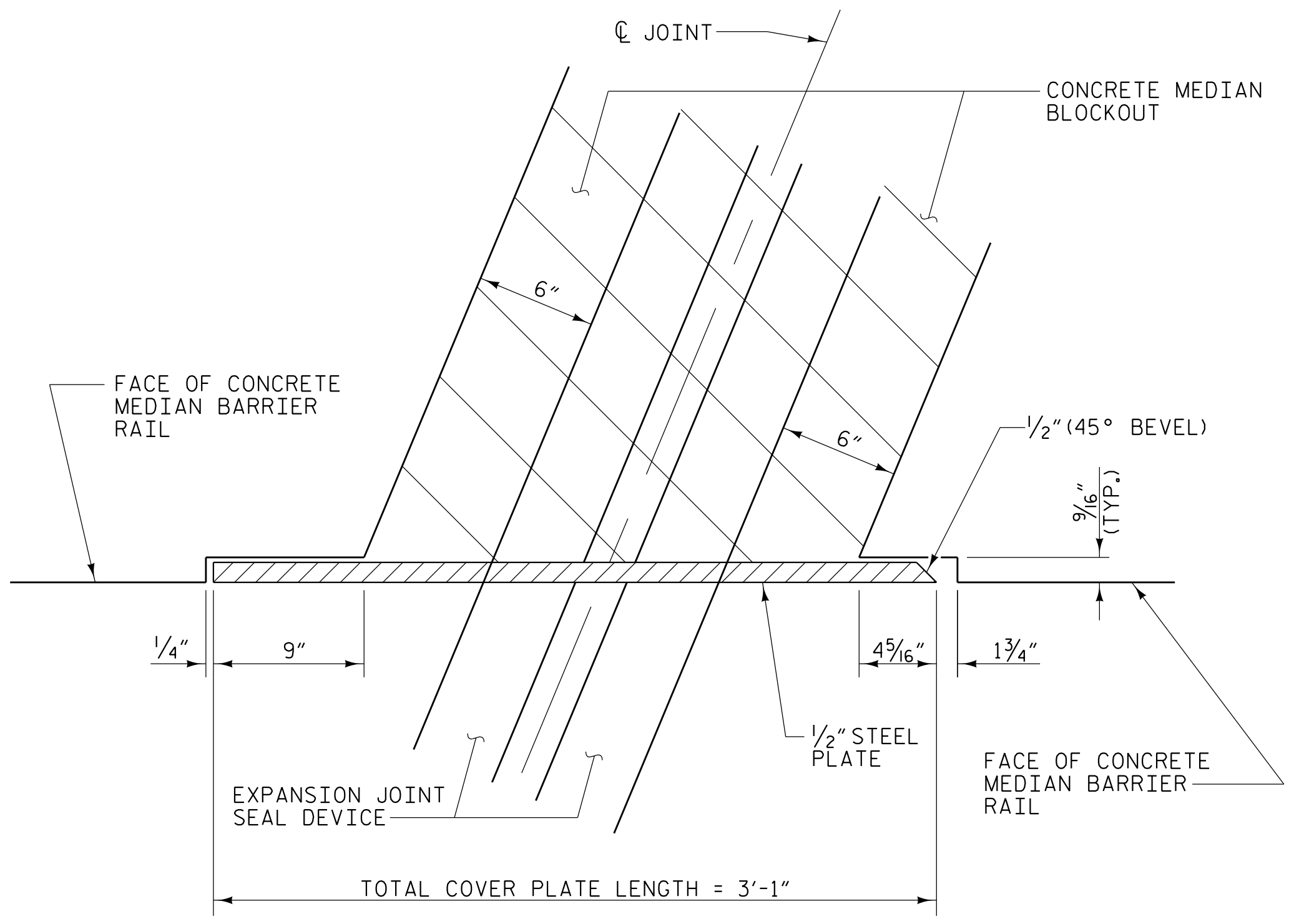


SECTION C-C

1/2" EXP. JT. MAT'L HELD IN PLACE WITH GALVANIZED NAILS.
 (NOTE: OMIT EXP. JT. MAT'L. WHEN SLIP FORM IS USED.)



ELEVATION AT MEDIAN BARRIER EXPANSION JOINTS



SECTION B-B
 MEDIAN BARRIER COVER PLATE DETAILS

MEDIAN BARRIER DETAILS

PROJECT NO. I-5987B
ROBESON COUNTY
 STATION: 617+12.20 -L- POT

SHEET 2 OF 2

STATE OF NORTH CAROLINA
 DEPARTMENT OF TRANSPORTATION
 RALEIGH
 SUPERSTRUCTURE
**CONCRETE
 MEDIAN BARRIER**

REVISIONS				SHEET NO.	
NO.	BY:	DATE:	NO.	BY:	DATE:
1			3		
2			4		

TOTAL SHEETS: 53

PLANS PREPARED BY:

NV5 ENGINEERS & CONSULTANTS, INC.
 3300 REGENCY PARKWAY, SUITE 100
 CARY, NC 27518
 P: 919.851.1912 www.nv5.com
 NC License # F-1333

**DOCUMENT NOT CONSIDERED FINAL
 UNLESS ALL SIGNATURES COMPLETED**

DRAWN BY: W.B. ALLEN DATE: 12/21
 CHECKED BY: M.D. METZGER DATE: 12/21
 DESIGN ENGINEER OF RECORD: L. K. AUSTIN DATE: 01/22

4/20/2022 11h21AM G:\Project\1208\20957\03\CLIENT\Structures\I-5987B\15 - NC 2016\987B_SMU BR3_77058.dgn