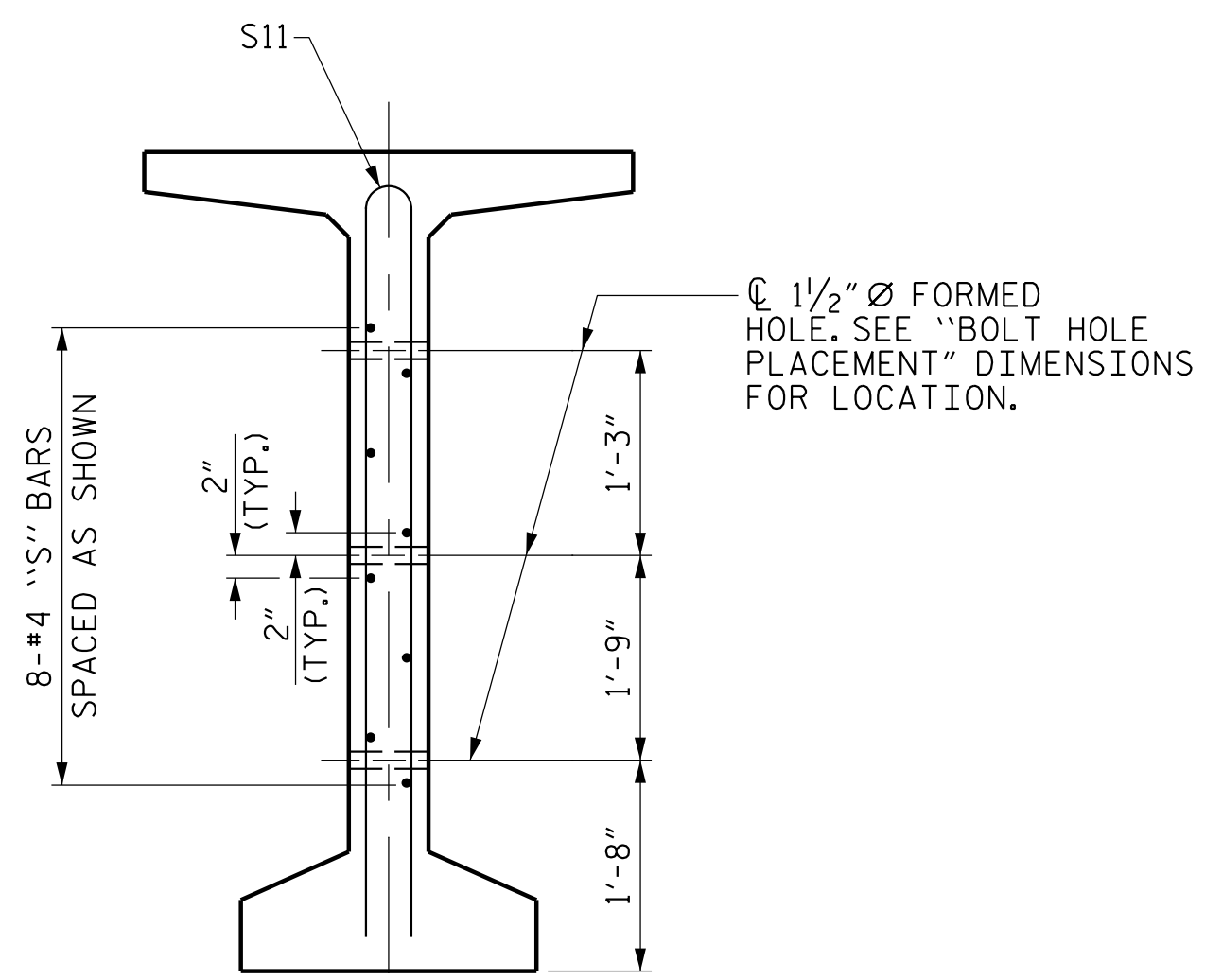
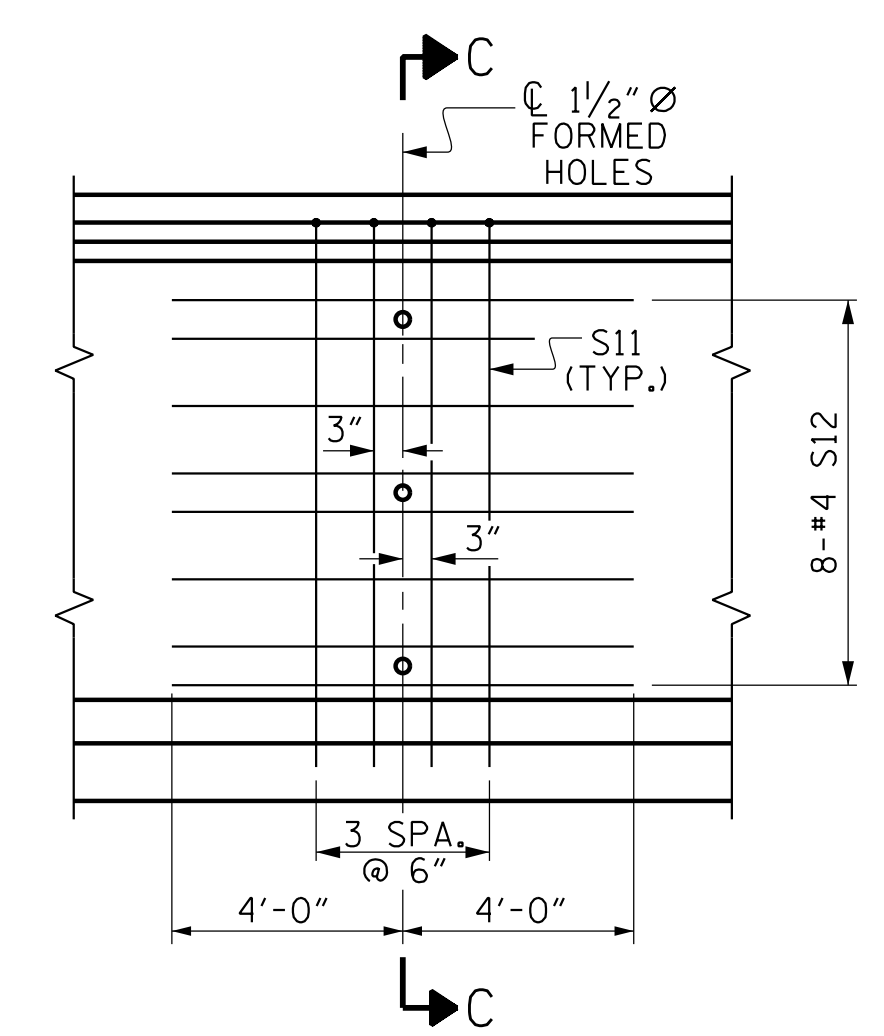


BOLT HOLE PLACEMENT DIMENSIONS							
GDR. NO.	SPAN A			SPAN B			
	DIM. "A"	DIM. "B"	DIM. "C"	DIM. "A"	DIM. "B"	DIM. "C"	DIM. "D"
1	45'-1 5/8"	49'-10 3/8"	-	36'-11 1/8"	41'-7 7/8"	38'-7"	-
2-6	45'-1 5/8"	45'-1 5/8"	4'-8 3/4"	36'-11 1/8"	36'-11 1/8"	33'-10 1/8"	4'-8 3/16"
7	49'-10 3/8"	45'-1 5/8"	-	41'-7 7/8"	36'-11 1/8"	38'-7"	-
8	45'-3 7/8"	49'-8 1/8"	-	37'-1 3/8"	41'-5 5/8"	38'-7"	-
9-10	45'-3 7/8"	45'-3 7/8"	4'-4 1/4"	37'-1 3/8"	37'-1 3/8"	34'-2 7/8"	4'-4 3/16"
11	49'-8 1/8"	45'-3 7/8"	-	41'-5 5/8"	37'-1 3/8"	38'-7"	-
12	45'-2 1/2"	49'-9 1/2"	-	37'-0"	41'-7"	38'-7"	-
13-14	45'-2 1/2"	45'-2 1/2"	4'-7"	37'-0"	37'-0"	33'-11 3/4"	4'-7 1/8"
15	49'-9 1/2"	45'-2 1/2"	-	41'-7"	37'-0"	38'-7"	-

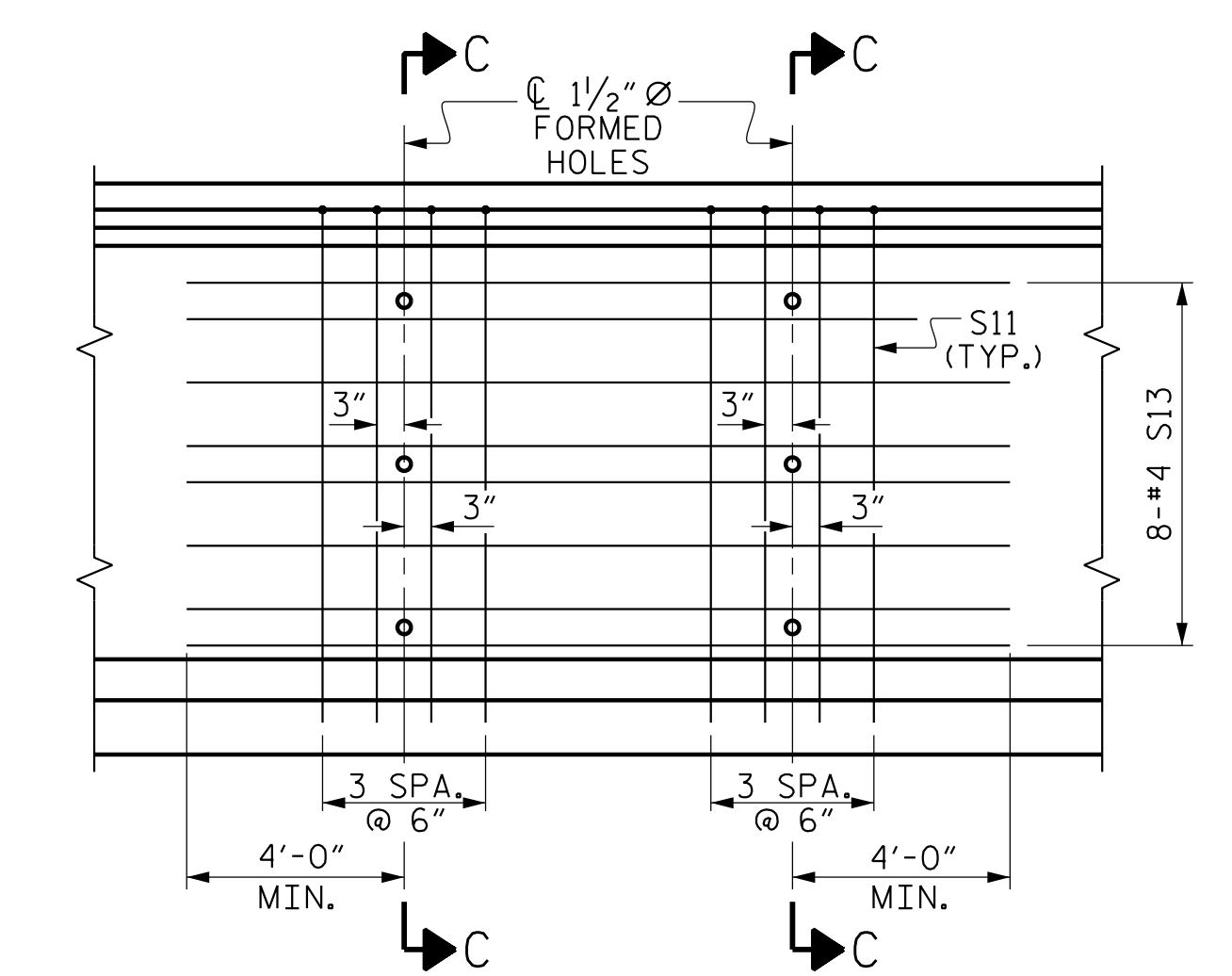


**SECTION C-C**

(S1, S6 AND S9 BARS NOT SHOWN)



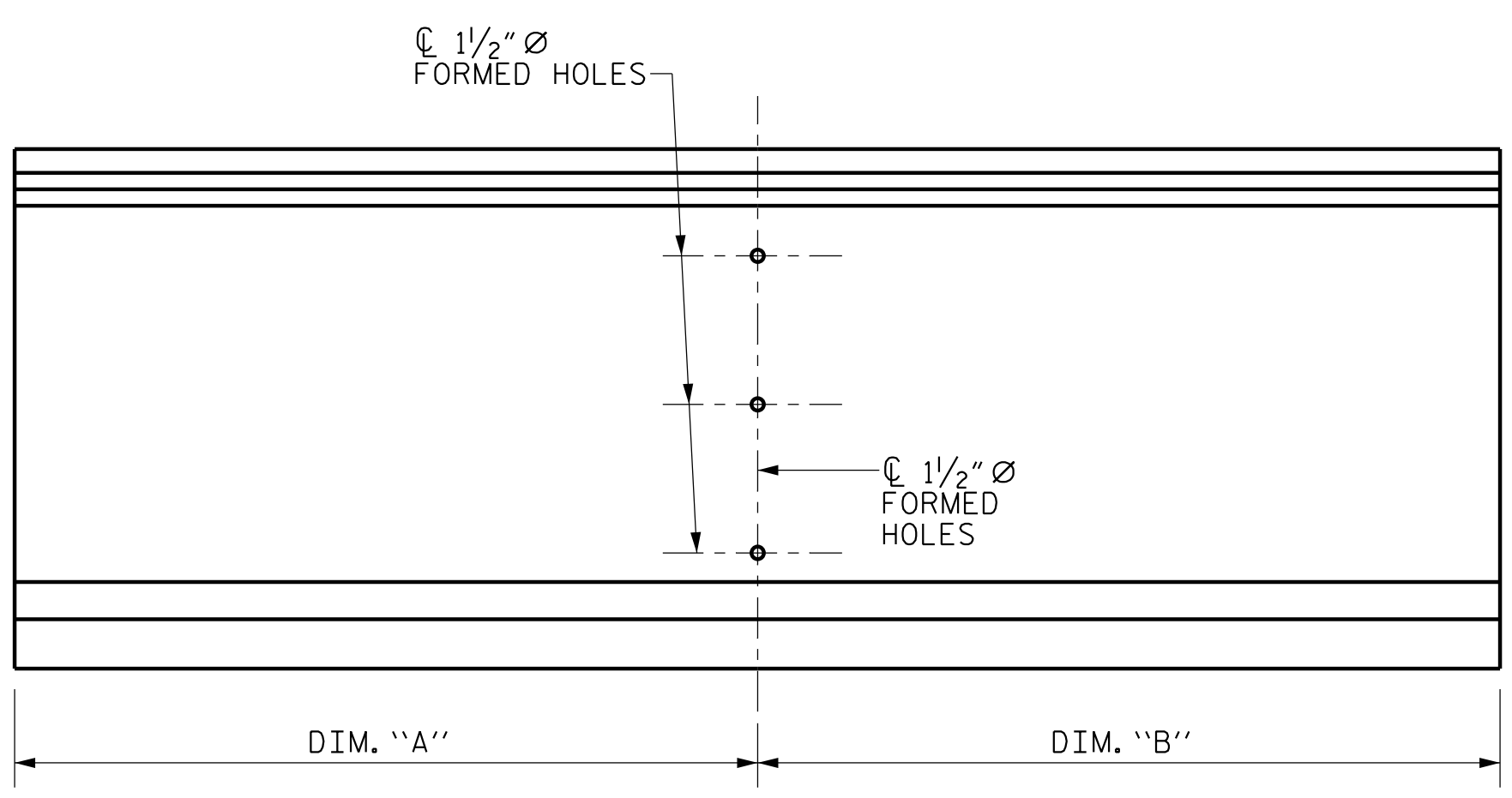
**EXTERIOR GIRDER**



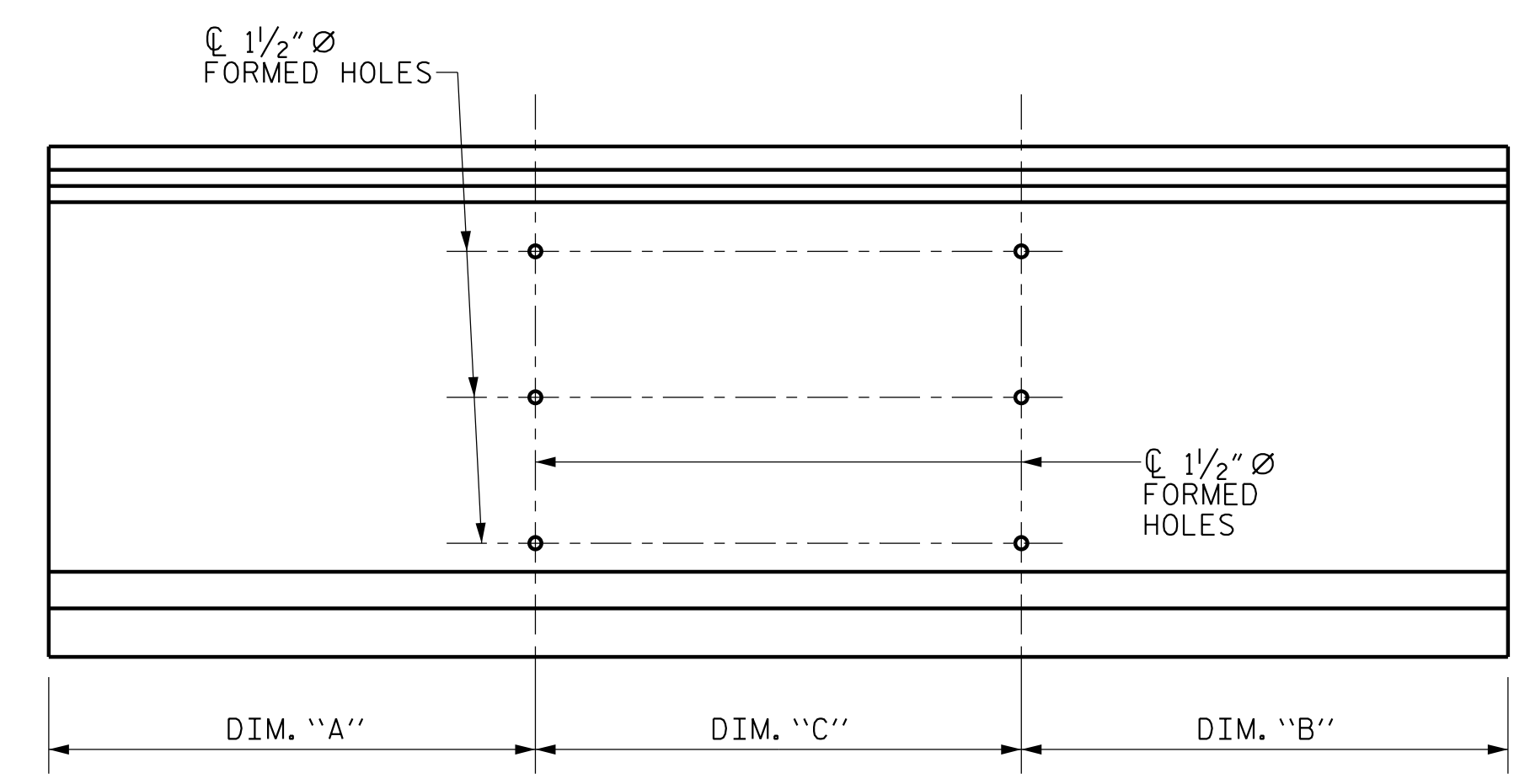
**INTERIOR GIRDER**

**PARTIAL ELEVATION**

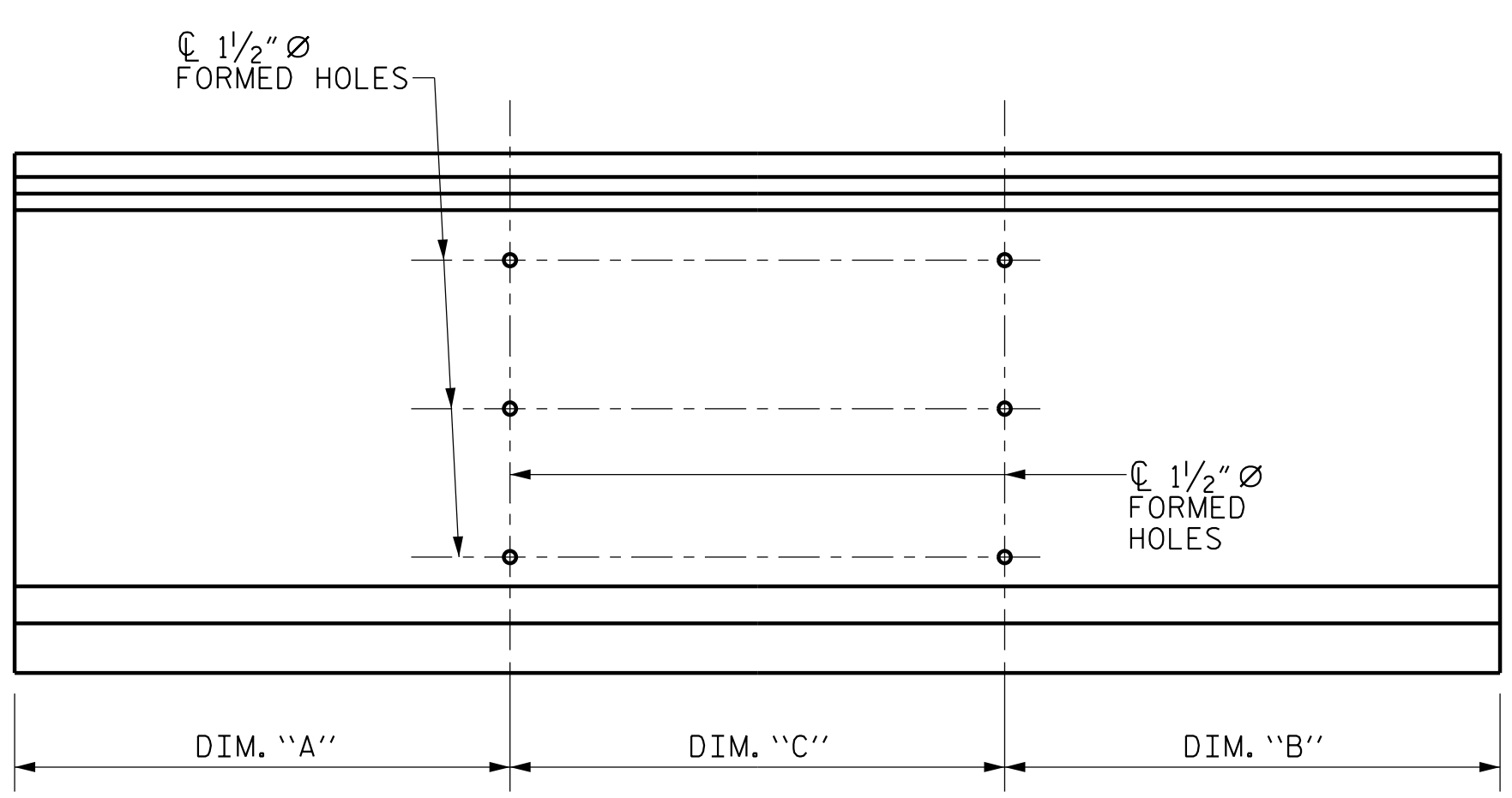
SHOWING INTERMEDIATE DIAPHRAGM REINFORCING STEEL FOR GIRDER



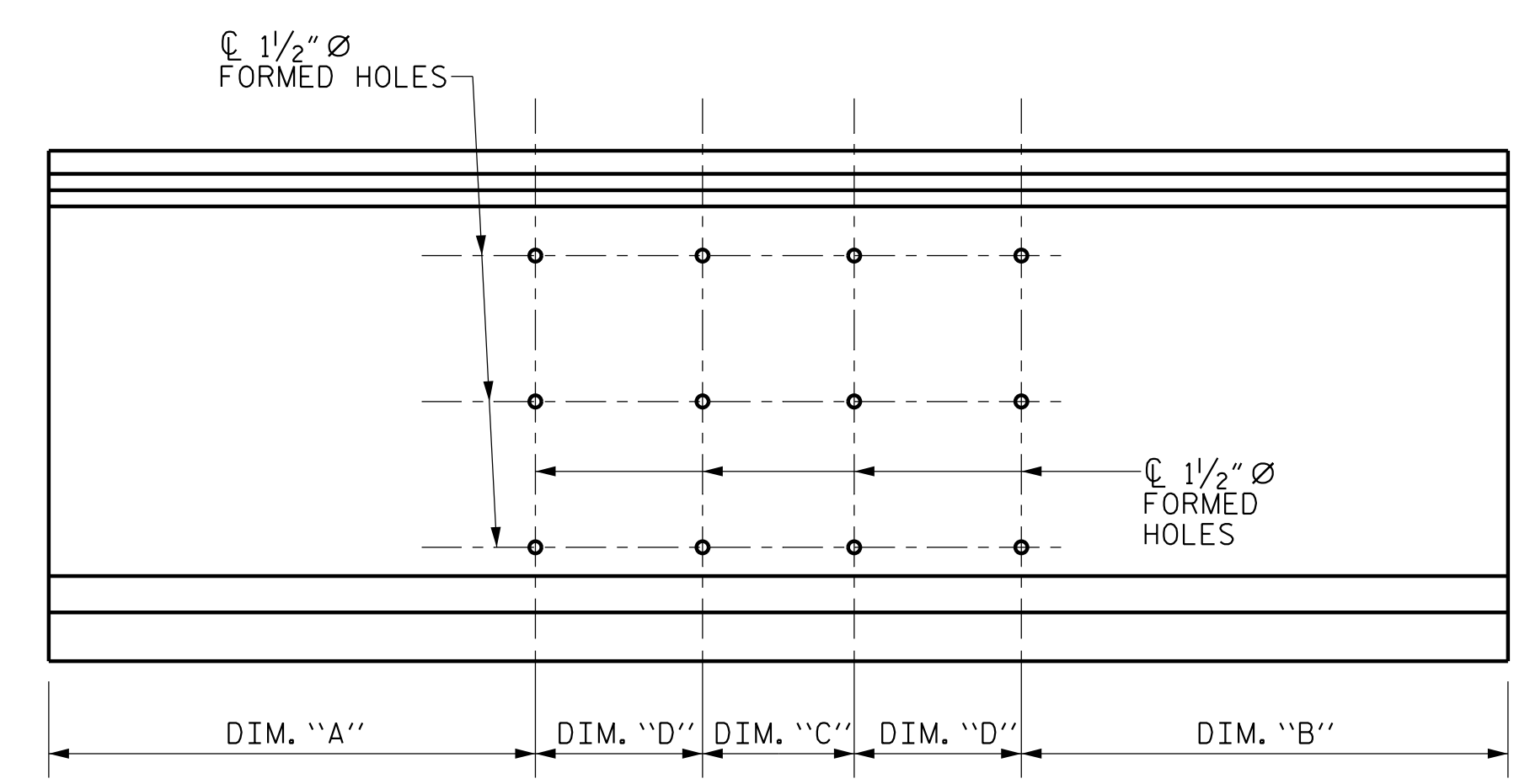
**EXTERIOR GIRDER - SPAN A**



**INTERIOR GIRDER - SPAN A**

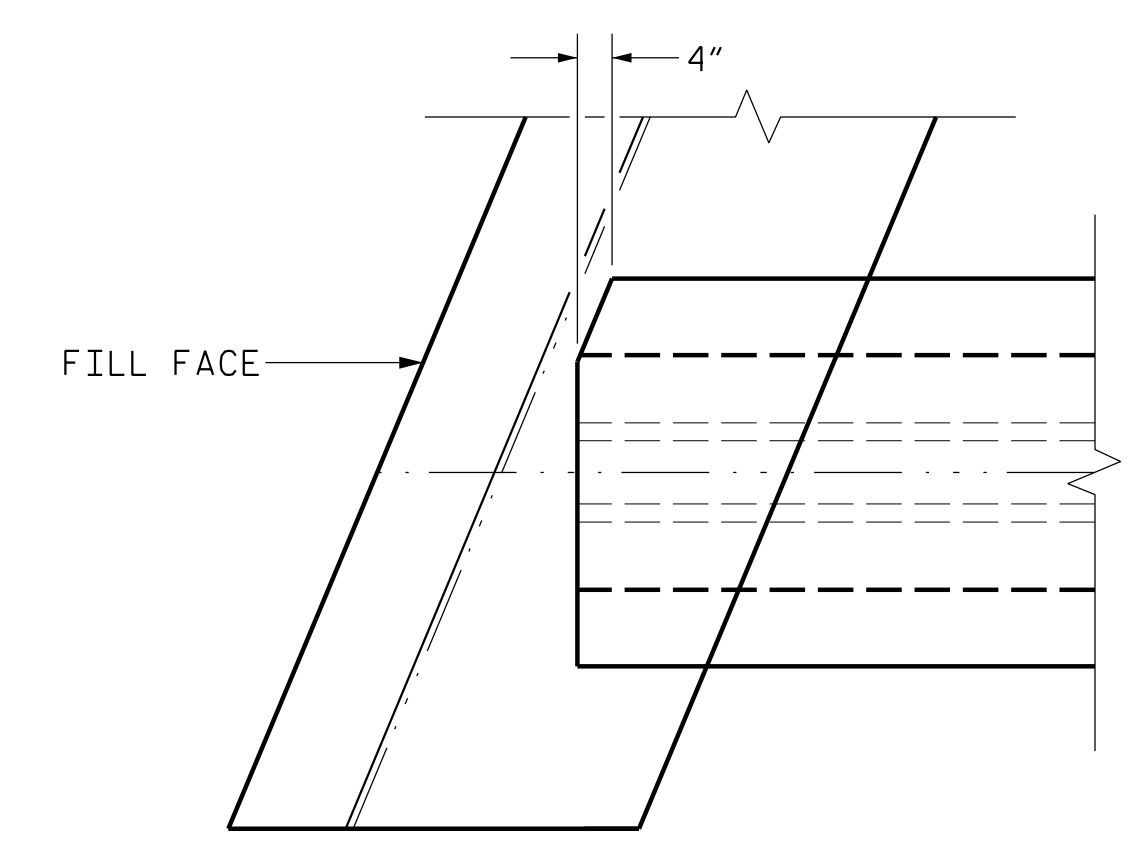


**EXTERIOR GIRDER - SPAN B**



**INTERIOR GIRDER - SPAN B**

**BOLT HOLE PLACEMENT**



**TOP FLANGE CLIP DETAILS**

END BENT 1 SHOWN, END BENT 2 SIMILAR BY ROTATION

PROJECT NO. I-5987B  
ROBESON COUNTY  
 STATION: 617+12.20 -L- POT

SHEET 3 OF 6

STATE OF NORTH CAROLINA  
 DEPARTMENT OF TRANSPORTATION  
 RALEIGH  
 SUPERSTRUCTURE  
 PRESTRESSED CONCRETE GIRDER  
 FOR LINK SLAB DETAILS

REVISIONS						SHEET NO.
NO.	BY:	DATE:	NO.	BY:	DATE:	S6-22
1			3			TOTAL SHEETS
2			4			53

PLANS PREPARED BY:

NV5 ENGINEERS & CONSULTANTS, INC.  
 3300 REGENCY PARKWAY, SUITE 100  
 CARY, NC 27518  
 P: 919.851.1912 www.nv5.com  
 NC License # F-1333

**DOCUMENT NOT CONSIDERED FINAL  
 UNLESS ALL SIGNATURES COMPLETED**

4/20/2022 11:03 AM G:\Project\2019\201912\03\CLIENT\Structures\I-5987B\15 - NC 2019\987B\_SML\03\_770195.dgn

DRAWN BY : W.B. ALLEN DATE : 12/21  
 CHECKED BY : M.D. METZGER DATE : 12/21  
 DESIGN ENGINEER OF RECORD: L. K. AUSTIN DATE : 01/22