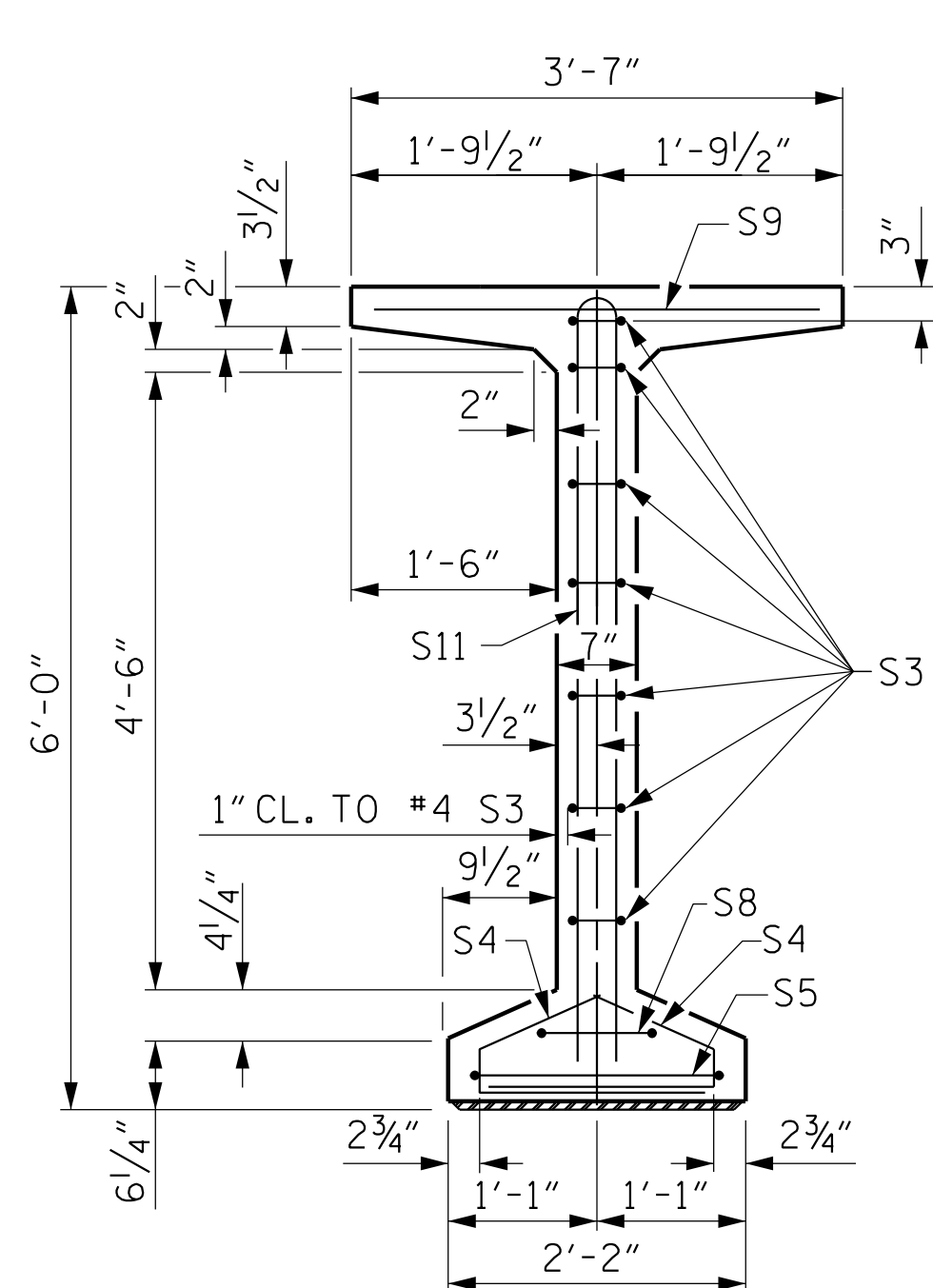
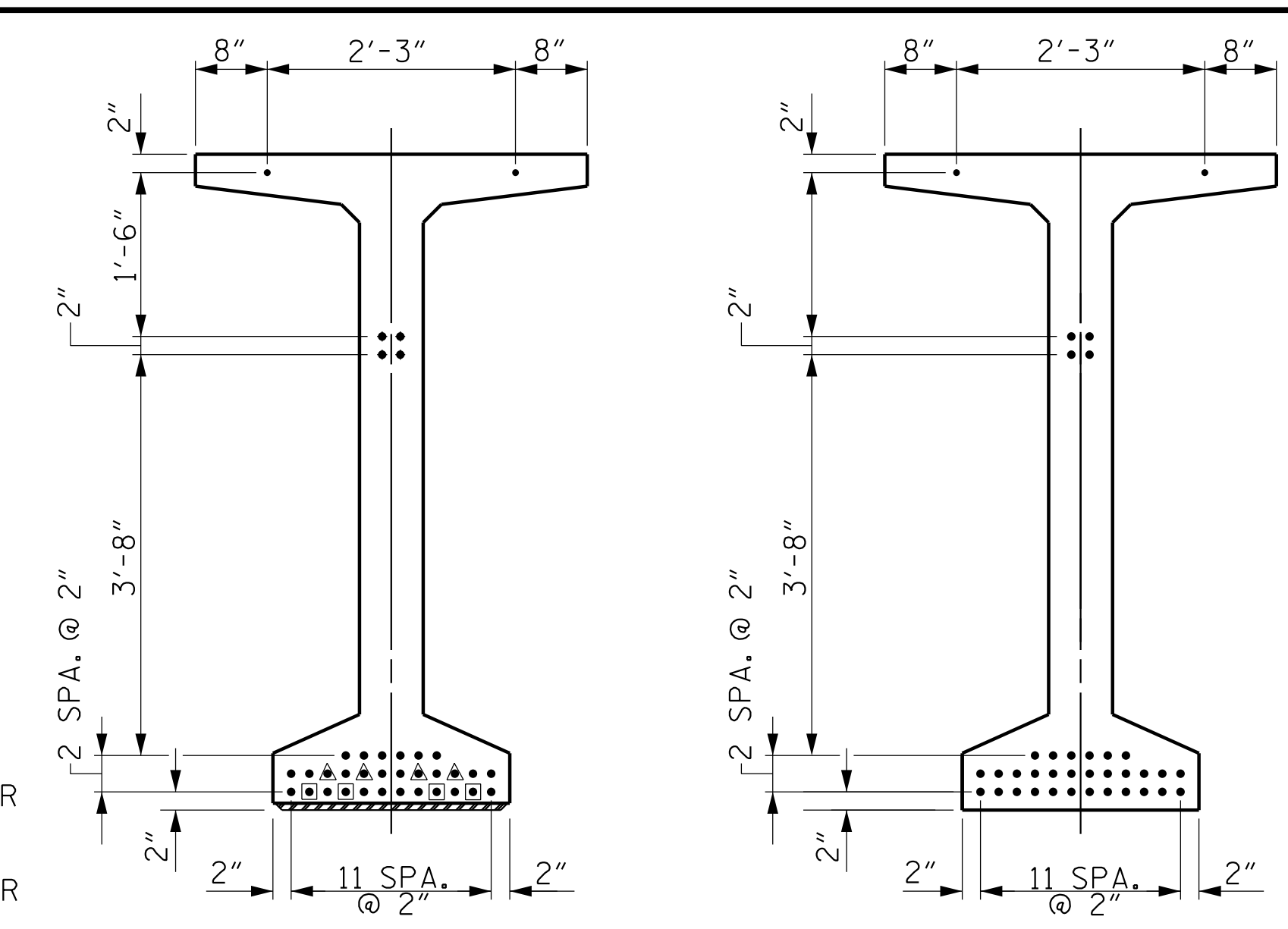


SECTION A-A



SECTION B-B

- DEBONDING LEGEND**
- FULLY BONDED STRANDS
 - ◻ STRANDS DEBONDED FOR 4'-0" FROM END OF GIRDER
 - ◻ STRANDS DEBONDED FOR 6'-0" FROM END OF GIRDER

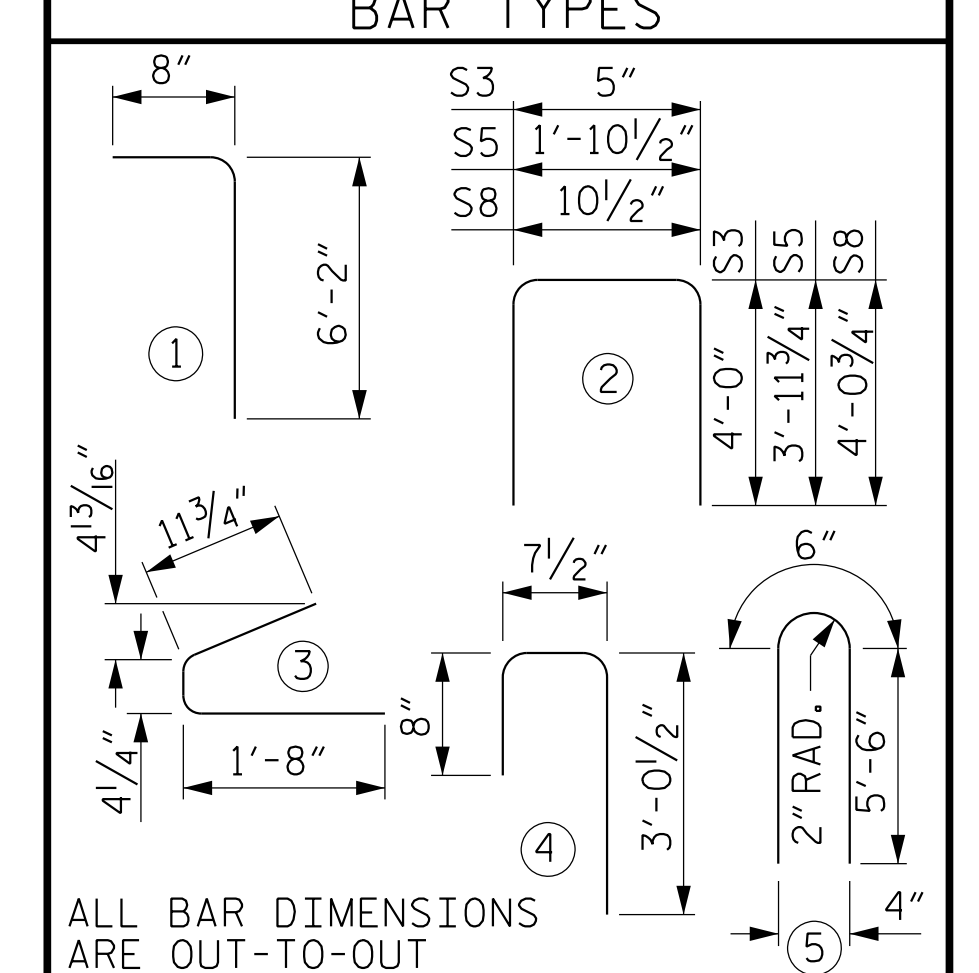


AT END OF GIRDER
AT CL OF GIRDER
0.6" Ø LOW RELAXATION STRAND LAYOUT

| | | | | | | |
|---------------------|-----|----|----|-----|--------|-----|
| GIRDERS 1, 7, 8, 15 | S11 | 16 | #5 | 5 | 11'-6" | 192 |
| GIRDERS 2-6, 9-14 | S11 | 20 | #5 | 5 | 11'-6" | 240 |
| GIRDERS 1, 7, 8, 15 | S12 | 8 | #4 | STR | 8'-0" | 43 |
| GIRDERS 2-6, 9-14 | S13 | 8 | #4 | STR | 12'-9" | 68 |

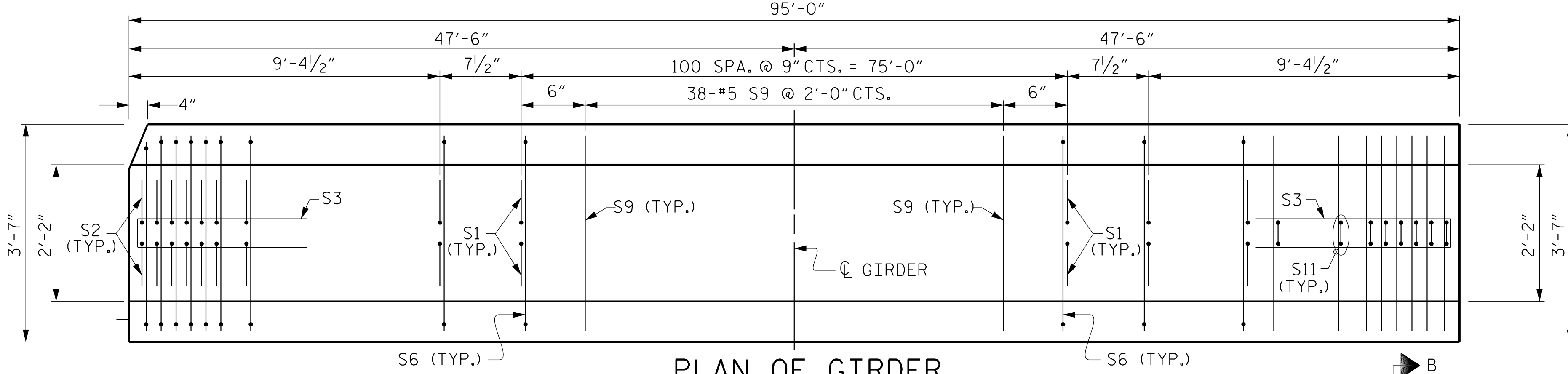
| 0.6" Ø L.R. GRADE 270 STRANDS | | |
|-------------------------------|-------------------------------------|-------------------------------------|
| AREA (SQ. INCHES) | ULTIMATE STRENGTH (LBS. PER STRAND) | APPLIED PRESTRESS (LBS. PER STRAND) |
| 0.217 | 58,600 | 43,950 |

| REINFORCING STEEL FOR ONE GDR | | | | | | |
|-------------------------------|--------|------|------|--------|--------|--|
| BAR | NUMBER | SIZE | TYPE | LENGTH | WEIGHT | |
| S1 | 202 | #4 | 1 | 6'-10" | 922 | |
| S2 | 60 | #5 | 1 | 6'-10" | 428 | |
| S3 | 14 | #4 | 2 | 8'-5" | 79 | |
| S4 | 84 | #4 | 3 | 3'-0" | 168 | |
| S5 | 2 | #5 | 2 | 9'-10" | 21 | |
| S6 | 262 | #5 | 4 | 4'-4" | 1184 | |
| S8 | 2 | #5 | 2 | 9'-0" | 19 | |
| S9 | 83 | #5 | STR | 3'-3" | 281 | |
| S11 | 16 | #5 | 5 | 11'-6" | 192 | |
| S12 | 20 | #5 | 5 | 11'-6" | 240 | |
| S13 | 8 | #4 | STR | 8'-0" | 43 | |
| S13 | 8 | #4 | STR | 12'-9" | 68 | |

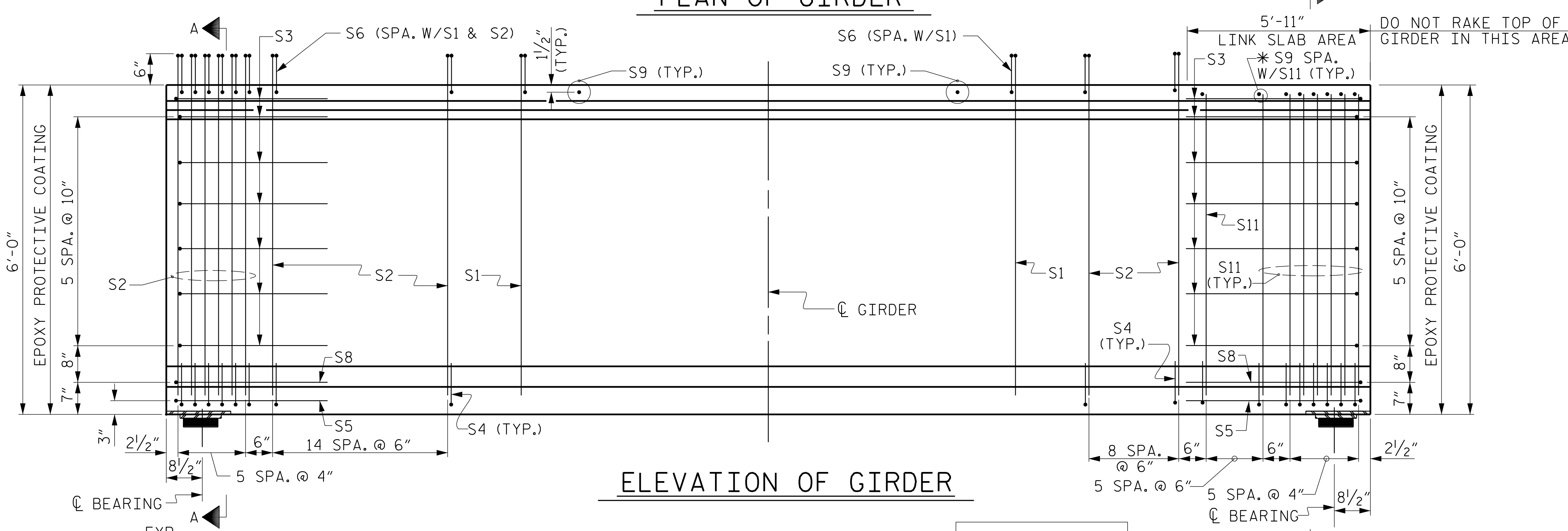


ALL BAR DIMENSIONS ARE OUT-TO-OUT

| QUANTITIES FOR ONE GIRDER | | | |
|---------------------------|-----------------------|------------------------|-------------------------|
| GIRDERS | REINFORCING STEEL LB. | 9000 PSI CONCRETE C.Y. | 0.6" Ø L.R. STRANDS No. |
| 1, 7, 8, 15 | 3337 | 20.4 | 36 |
| 2-6, 9-14 | 3410 | 20.4 | 36 |



PLAN OF GIRDER



ELEVATION OF GIRDER

* WITHIN LINK SLAB AREA ONLY

DOCUMENT NOT CONSIDERED FINAL UNLESS ALL SIGNATURES COMPLETED

PLANS PREPARED BY:

NIV5
 NV5 ENGINEERS & CONSULTANTS, INC.
 3300 REGENCY PARKWAY, SUITE 100
 CARY, NC 27518
 P: 919.851.1912 www.NV5.com
NC License # F13333
 formerly CALXX Engineers & Consultants

THIS STANDARD DRAWING REVIEWED & ADOPTED FOR USE AT THE REFERENCED LOCATION BY THE UNDERSIGNED:



PROJECT NO. I-5987B
 ROBESON COUNTY
 STATION: 617+12.20 -L- POT

SHEET 1 OF 6

STATE OF NORTH CAROLINA
 DEPARTMENT OF TRANSPORTATION
 RALEIGH
 STANDARD
72" PRESTRESSED CONCRETE MODIFIED BULB TEE LINK SLAB-SPAN A

| REVISIONS | | | | | | SHEET NO. |
|-----------|-----|-------|-----|-----|-------|--------------|
| NO. | BY: | DATE: | NO. | BY: | DATE: | S6-20 |
| 1 | | | 3 | | | TOTAL SHEETS |
| 2 | | | 4 | | | 53 |

4/20/2022 10:40 AM G:\Projects\2019\2019\2019\CLIENTS\Structures\I-5987B\15 - NC 2019\987B_SML.dwg T70159.dgn

ASSEMBLED BY : W. B. ALLEN DATE : 11/21
 CHECKED BY : M. D. METZGER DATE : 12/21
 DRAWN BY : BNB 9/21
 CHECKED BY : AAI 9/21