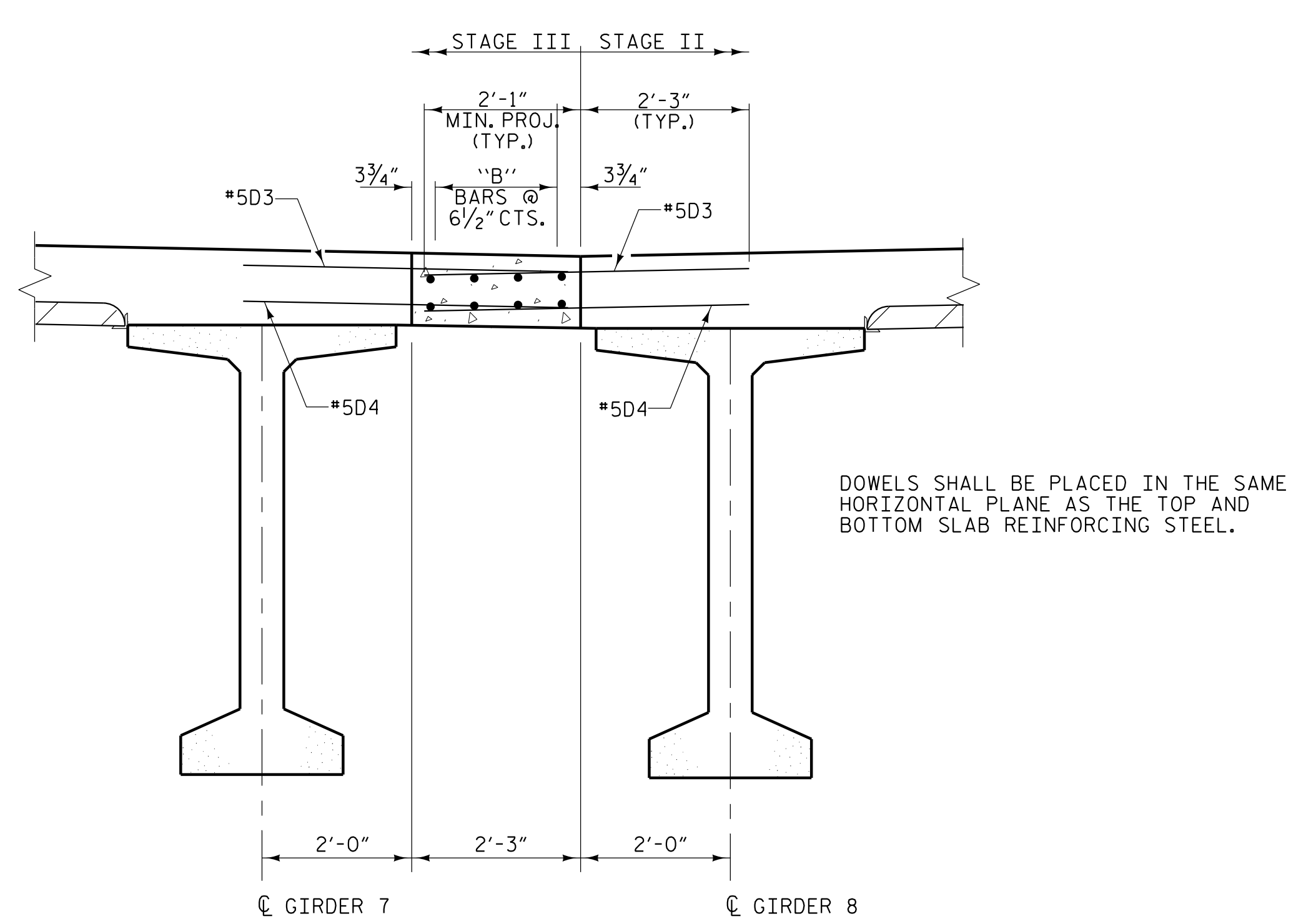


**TYPICAL HALF SECTION**  
(SHOWING INTERMEDIATE DIAPHRAGMS)



**CLOSURE POUR DETAIL**  
(STAGE III CONSTRUCTION)

PROJECT NO. I-5987B  
ROBESON COUNTY  
 STATION: 617+12.20 -L- POT

SHEET 4 OF 6

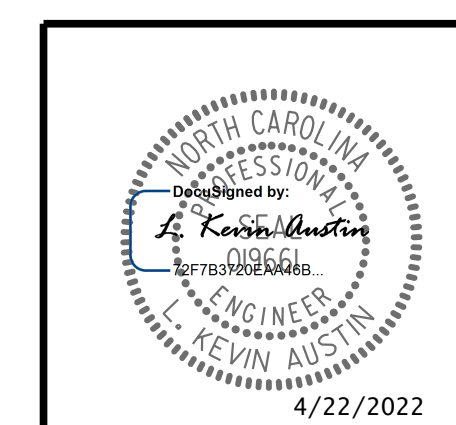
STATE OF NORTH CAROLINA  
 DEPARTMENT OF TRANSPORTATION  
 RALEIGH

SUPERSTRUCTURE  
 TYPICAL SECTION

PLANS PREPARED BY:

**NV5**

NV5 ENGINEERS & CONSULTANTS, INC.  
 3300 REGENCY PARKWAY, SUITE 100  
 CARY, NC 27518  
 P: 919.851.1912 www.NV5.com  
 NC License # F-1333



REVISIONS						SHEET NO.
NO.	BY:	DATE:	NO.	BY:	DATE:	S6-11
1			3			TOTAL SHEETS
2			4			53

DRAWN BY :	W.B. ALLEN	DATE :	12/21
CHECKED BY :	M.D. METZGER	DATE :	12/21
DESIGN ENGINEER OF RECORD:	L. K. AUSTIN	DATE :	01/22

**DOCUMENT NOT CONSIDERED FINAL  
 UNLESS ALL SIGNATURES COMPLETED**

4/20/2022 11:03 AM G:\Project\2019\2019\7\03\CLIENT\Structures\I-5987B (15) - NC 2019\987B\_SML154\_77059.dgn