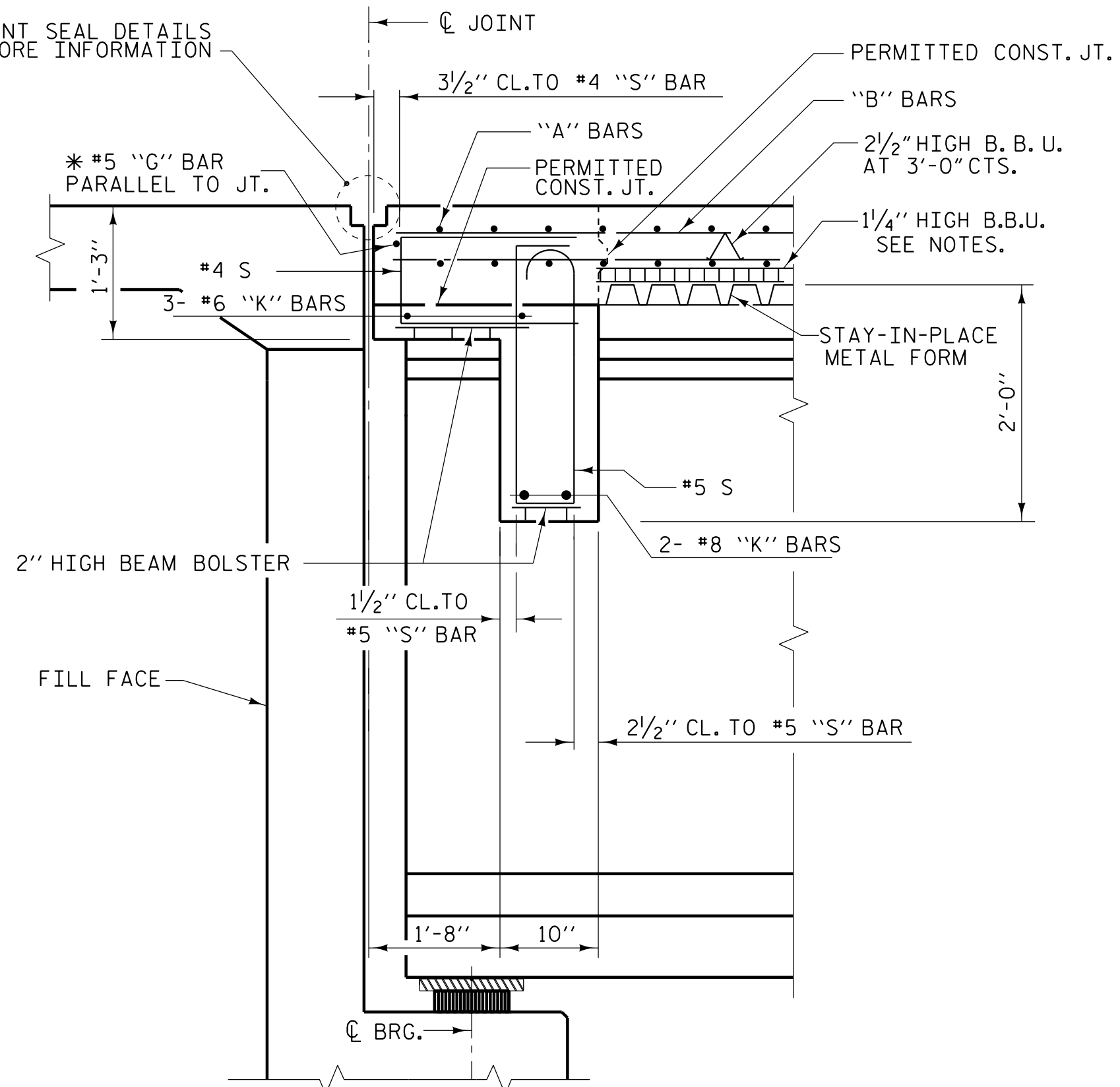


TYPICAL HALF SECTION
 (SHOWING END BENT DIAPHRAGMS)

* #5 "C" BAR MAY BE SHIFTED SLIGHTLY, AS NECESSARY, TO CLEAR REINFORCING STEEL AND STIRRUPS

SEE EXPANSION JOINT SEAL DETAILS FOR MORE INFORMATION



SECTION THRU END BENT DIAPHRAGMS

PROJECT NO. I-5987B
ROBESON COUNTY
 STATION: 617+12.20 -L- POT

SHEET 2 OF 6

STATE OF NORTH CAROLINA
 DEPARTMENT OF TRANSPORTATION
 RALEIGH

SUPERSTRUCTURE
 TYPICAL SECTION

PLANS PREPARED BY:
NV5
 NV5 ENGINEERS & CONSULTANTS, INC.
 3300 REGENCY PARKWAY, SUITE 100
 CARY, NC 27518
 P: 919.851.1912 www.NV5.com
 NC License # F-1333



REVISIONS						SHEET NO.
NO.	BY:	DATE:	NO.	BY:	DATE:	S6-9
1			3			TOTAL SHEETS
2			4			53

DRAWN BY :	W.B. ALLEN	DATE :	12/21
CHECKED BY :	M.D. METZGER	DATE :	12/21
DESIGN ENGINEER OF RECORD:	L. K. AUSTIN	DATE :	01/22

**DOCUMENT NOT CONSIDERED FINAL
 UNLESS ALL SIGNATURES COMPLETED**

4/22/2022

4/20/2022 11:01AM G:\Project\2019\2019\03\CLIENT\Structures\I-5987B\15 - NC 2019\987B_SMU_152_77059.dgn