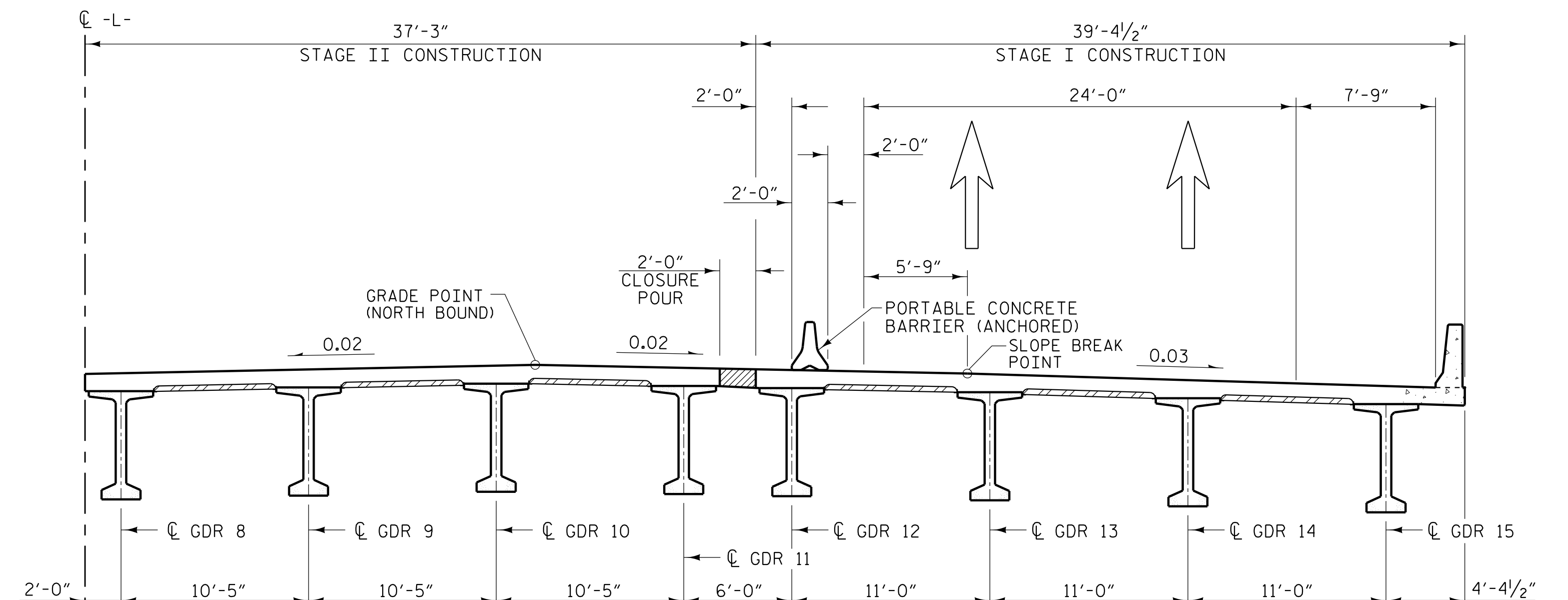
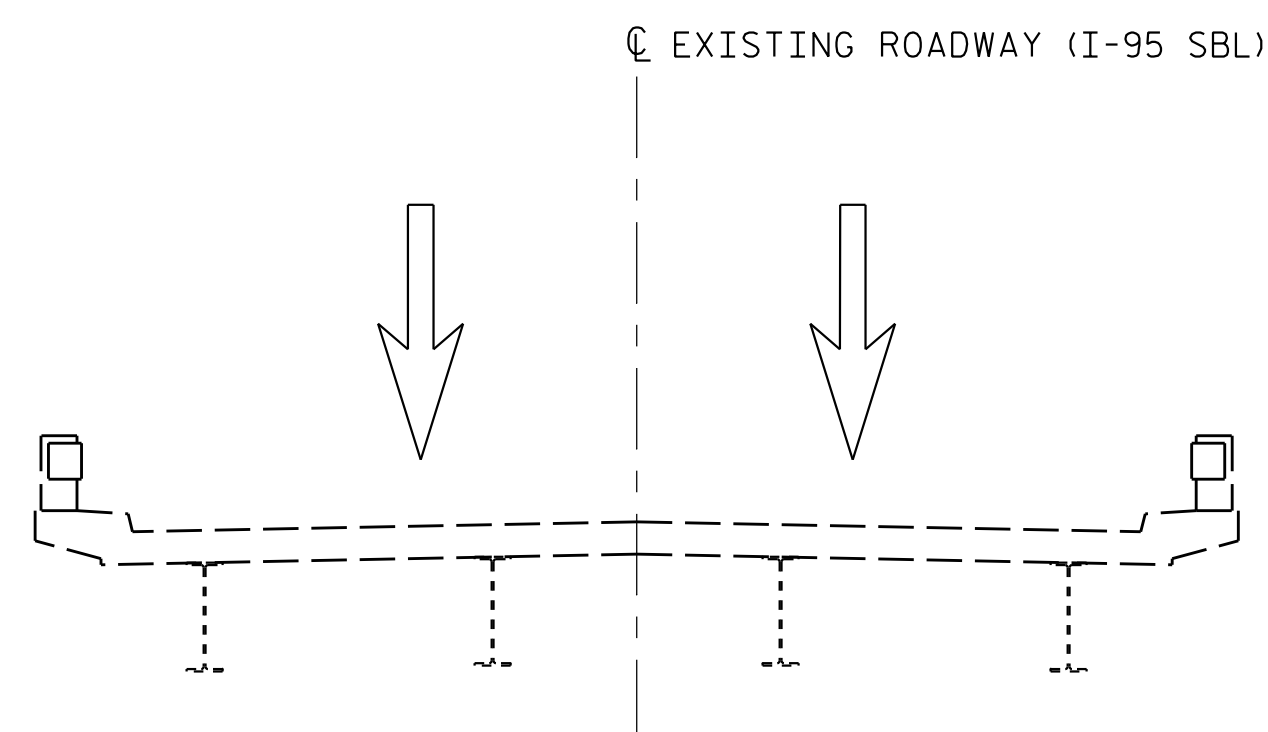


STAGE I CONSTRUCTION



STAGE II CONSTRUCTION

NOTES:

FOR TRAFFIC PHASING, SEE TRAFFIC CONTROL PLANS.
 THE PORTABLE CONCRETE BARRIER IS A TRAFFIC CONTROL PAY ITEM.
 SEE TRAFFIC CONTROL PLANS FOR LOCATION AND PAY LIMITS OF THE PORTABLE CONCRETE BARRIER.

PROJECT NO. I-5987B
ROBESON COUNTY
 STATION: 617+12.20 -L- POT

SHEET 1 OF 2

STATE OF NORTH CAROLINA
 DEPARTMENT OF TRANSPORTATION
 RALEIGH

CONSTRUCTION STAGING SEQUENCE

REVISIONS

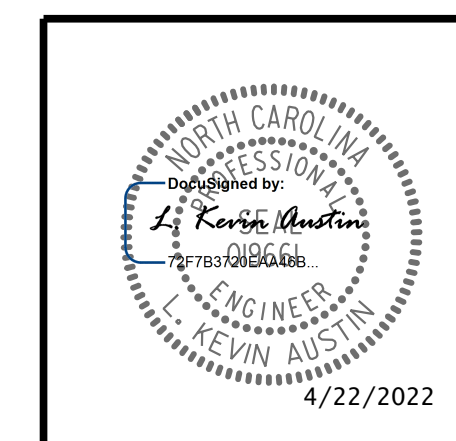
NO.	BY:	DATE:	NO.	BY:	DATE:
1			3		
2			4		

SHEET NO. S6-6
 TOTAL SHEETS 53

PLANS PREPARED BY:

NV5

NV5 ENGINEERS & CONSULTANTS, INC.
 3300 REGENCY PARKWAY, SUITE 100
 CARY, NC 27518
 P: 919.851.1912 www.NV5.com
 NC License # F-1333



**DOCUMENT NOT CONSIDERED FINAL
 UNLESS ALL SIGNATURES COMPLETED**

4/20/2022 11:05:58 AM G:\Project\2019\2019\7\03\CLIENT\Structures\I-5987B\I-5 - NC 2019\6987B_SML\FCL_170155.dgn

DRAWN BY : W.B. ALLEN DATE : 12/21
 CHECKED BY : M.D. METZGER DATE : 12/21
 DESIGN ENGINEER OF RECORD: L. K. AUSTIN DATE : 01/22