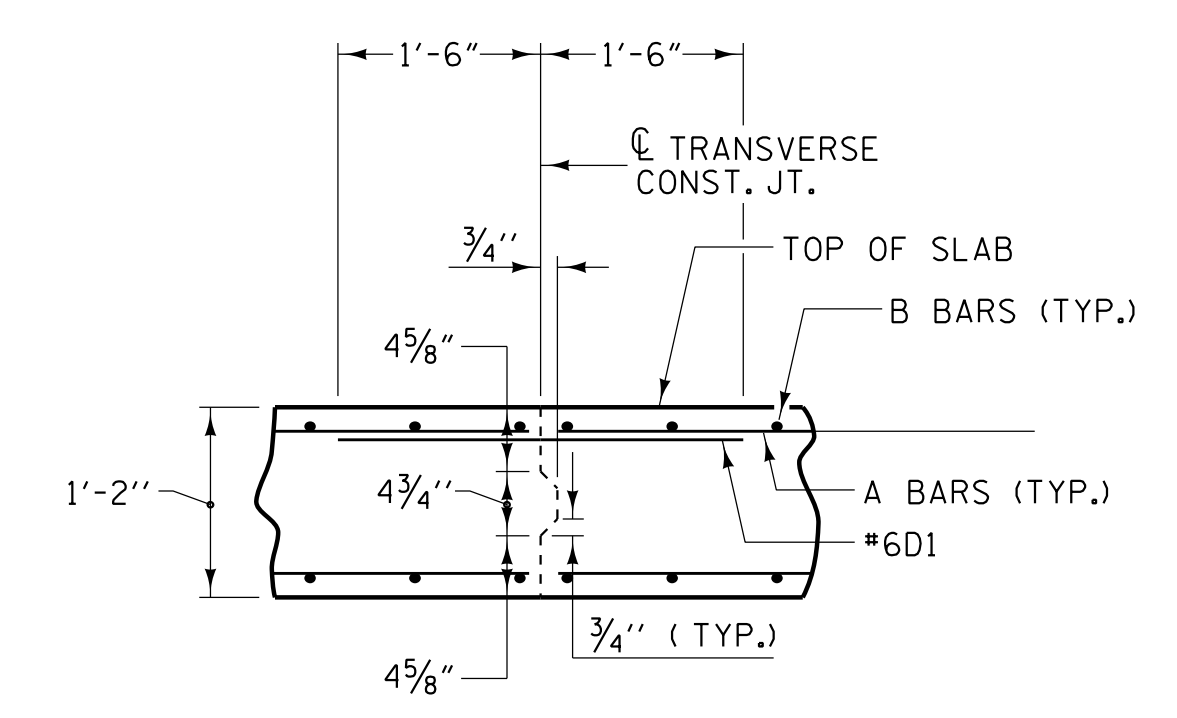


PLAN @ END BENT 1

PLAN @ END BENT 2

\* THE #6D1 BARS SHALL PROJECT 1'-6" INTO STAGE II & STAGE III CONSTRUCTION.  
DIMENSIONS ARE TYPICAL FOR BOTH APPROACH SLABS



TRANSVERSE CONSTRUCTION JOINT DETAIL

PROJECT NO. I-5987B  
ROBESON COUNTY  
 STATION: 586+14.00 -L- POT

SHEET 1 OF 4

STATE OF NORTH CAROLINA  
 DEPARTMENT OF TRANSPORTATION  
 RALEIGH

PLAN OF BRIDGE  
 APPROACH SLABS  
 STAGE I & STAGE II

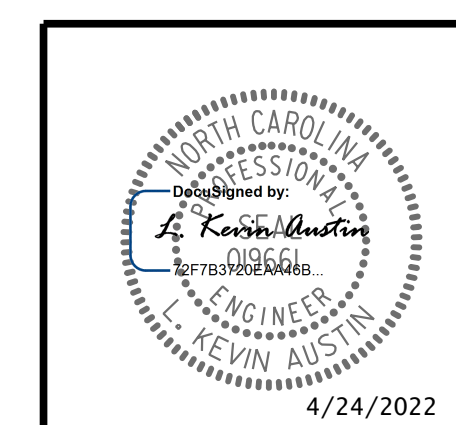
REVISIONS				SHEET NO.	
NO.	BY:	DATE:	NO.	BY:	DATE:
1			3		
2			4		

TOTAL SHEETS: 64

PLANS PREPARED BY:

**NV5**

NV5 ENGINEERS & CONSULTANTS, INC.  
 3300 REGENCY PARKWAY, SUITE 100  
 CARY, NC 27518  
 P: 919.851.1912 www.NV5.com  
 NC License # F-1333



**DOCUMENT NOT CONSIDERED FINAL  
 UNLESS ALL SIGNATURES COMPLETED**

DRAWN BY: W. B. ALLEN DATE: 9/21  
 CHECKED BY: G. F. WILSON DATE: 2/22  
 DESIGN ENGINEER OF RECORD: L. K. AUSTIN DATE: 2/22

4/23/2022 9:55:30 AM G:\Project\1208\20957\03\CLIENT\Structures\I-5987B (Big Marsh Swamp)\5987B\_SML\_ASI\_770536.dgn