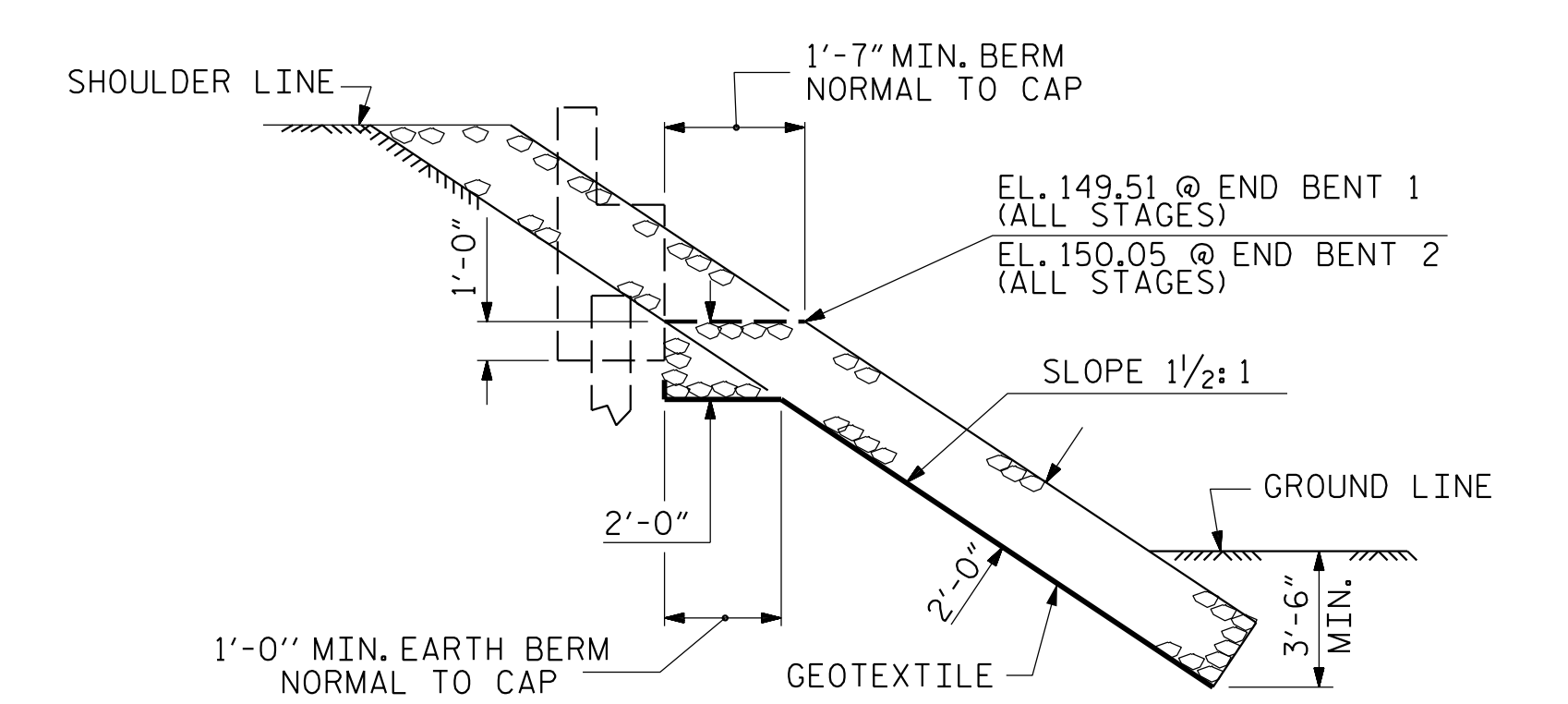
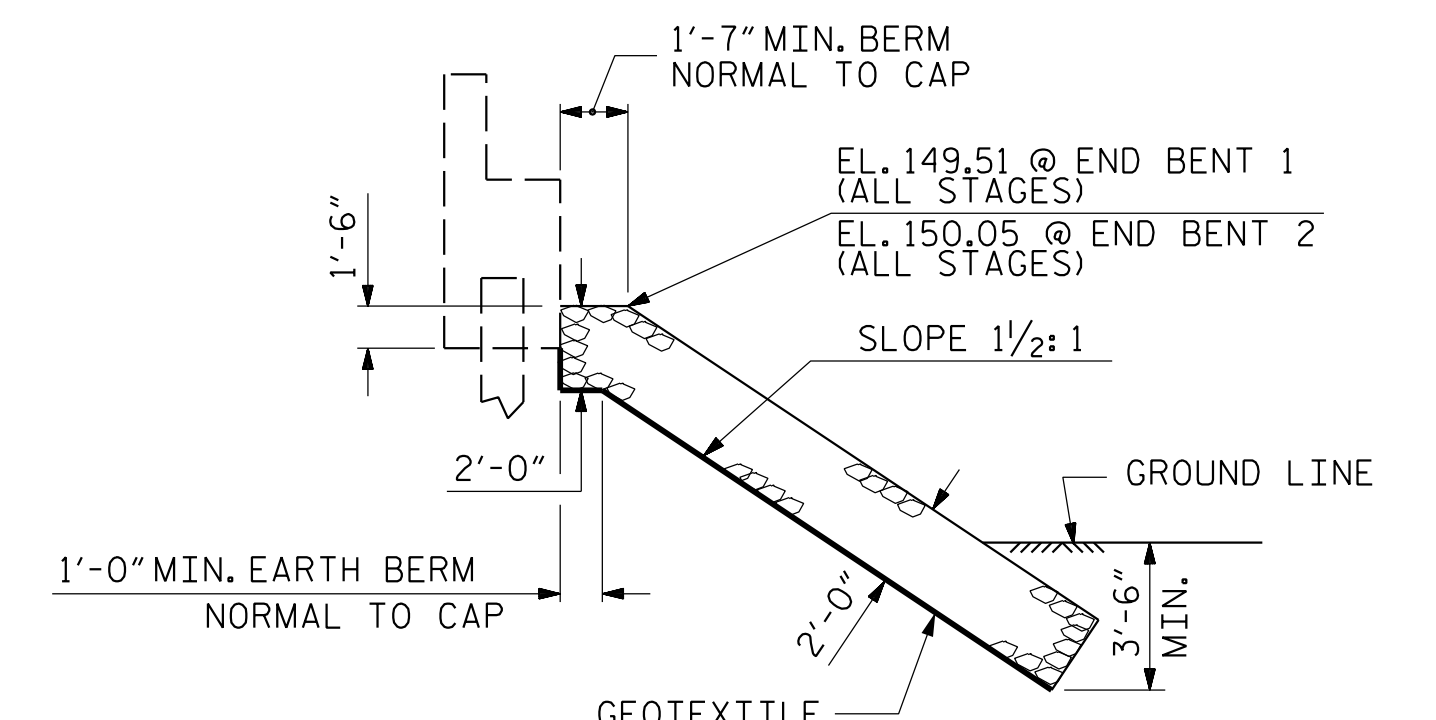


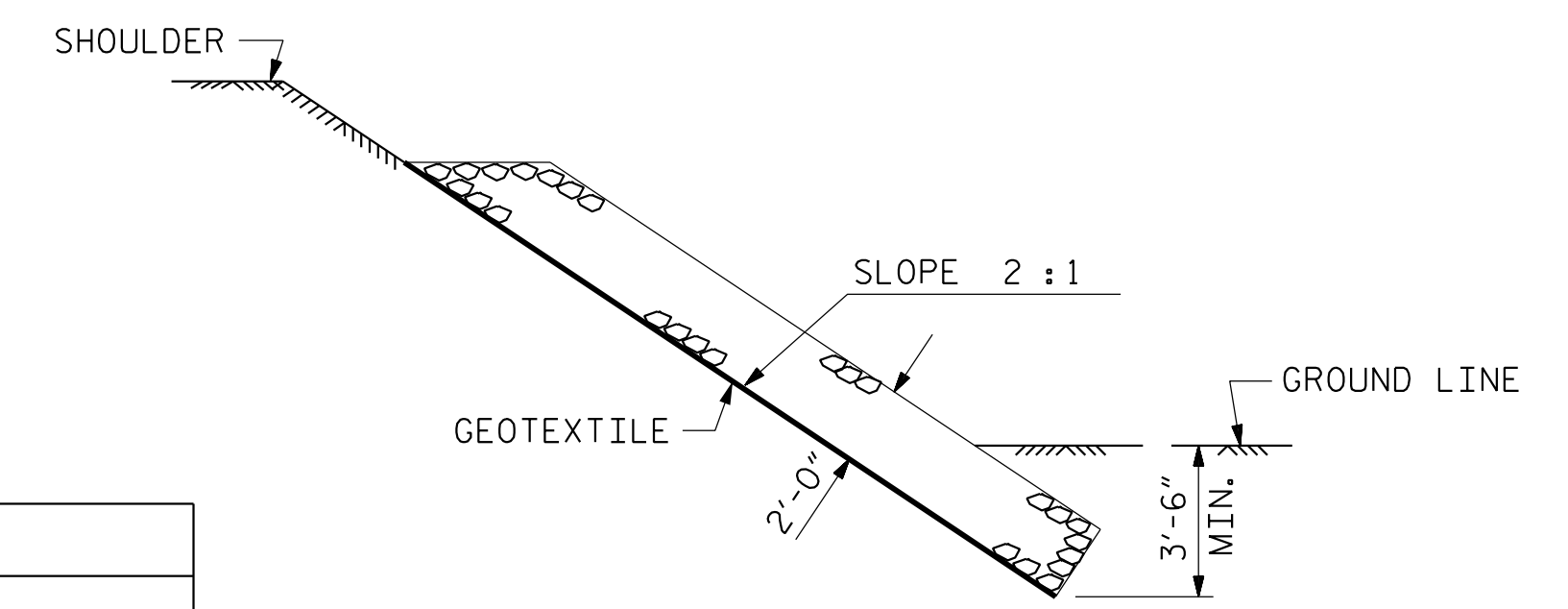
PLAN OF RIP RAP



SECTION H-H



SECTION C-C  
BERM RIP RAPPED



SECTION C-C

ESTIMATED QUANTITIES		
BRIDGE @ STA. 586+14.00 -L-	RIP RAP CLASS II (2'-0" THICK)	GEOTEXTILE FOR DRAINAGE
	TONS	SQUARE YARDS
END BENT 1 (STAGE I)	195	220
END BENT 1 (STAGE II)	45	50
END BENT 1 (STAGE III)	235	260
END BENT 2 (STAGE I)	195	215
END BENT 2 (STAGE II)	35	40
END BENT 2 (STAGE III)	240	270
<b>TOTAL</b>	<b>945</b>	<b>1055</b>

PROJECT NO. I-5987B  
 ROBESON COUNTY  
 STATION: 586+14.00 -L- POT

STATE OF NORTH CAROLINA  
 DEPARTMENT OF TRANSPORTATION  
 RALEIGH

RIP RAP DETAILS

PLANS PREPARED BY:

NV5 ENGINEERS & CONSULTANTS, INC.  
 3300 REGENCY PARKWAY, SUITE 100  
 CARY, NC 27518  
 P: 919.851.1912 www.NV5.com  
 NC License # F-1333

REVISIONS						SHEET NO. S5-60
NO.	BY:	DATE:	NO.	BY:	DATE:	
1			3			TOTAL SHEETS 64
2			4			

DRAWN BY: J. A. PANDOLI DATE: 2/22  
 CHECKED BY: G.F. WILSON DATE: 2/22  
 DESIGN ENGINEER OF RECORD: L. K. AUSTIN DATE: 2/22

**DOCUMENT NOT CONSIDERED FINAL  
 UNLESS ALL SIGNATURES COMPLETED**

4/22/2022 9:54:47 AM G:\Project\1208\20957\03\CLIENT\Structures\I-5987B (Big Marsh Swamp)\I5987B.SMU.RR.770536.dgn