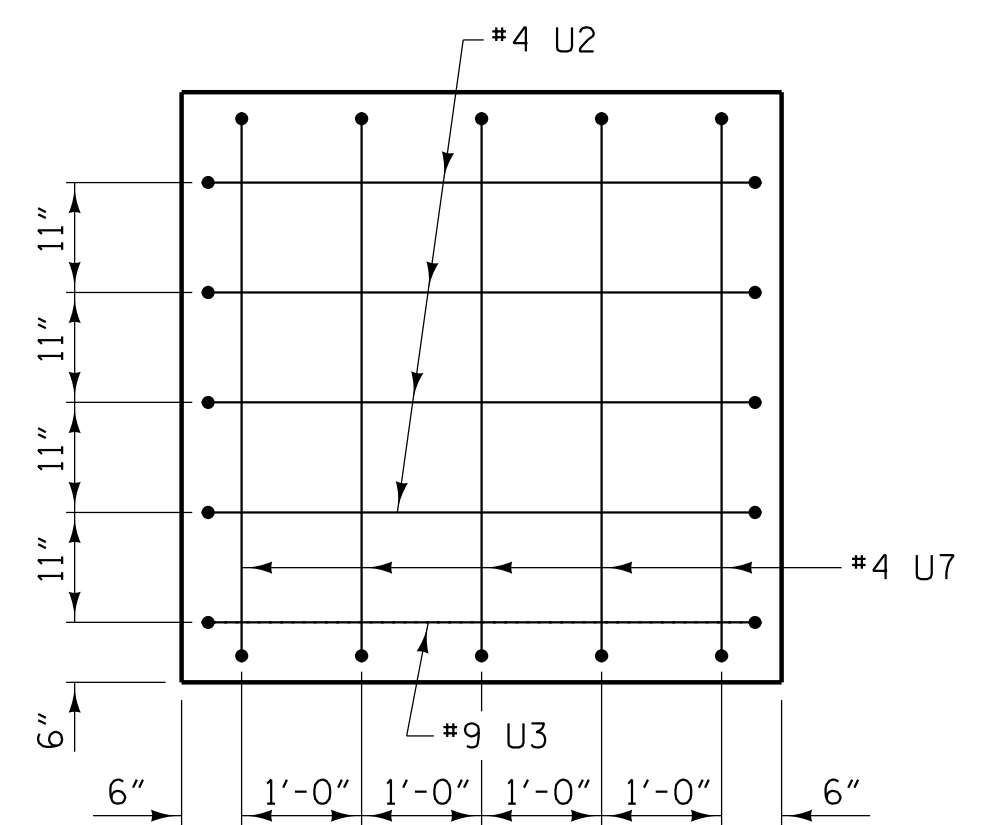
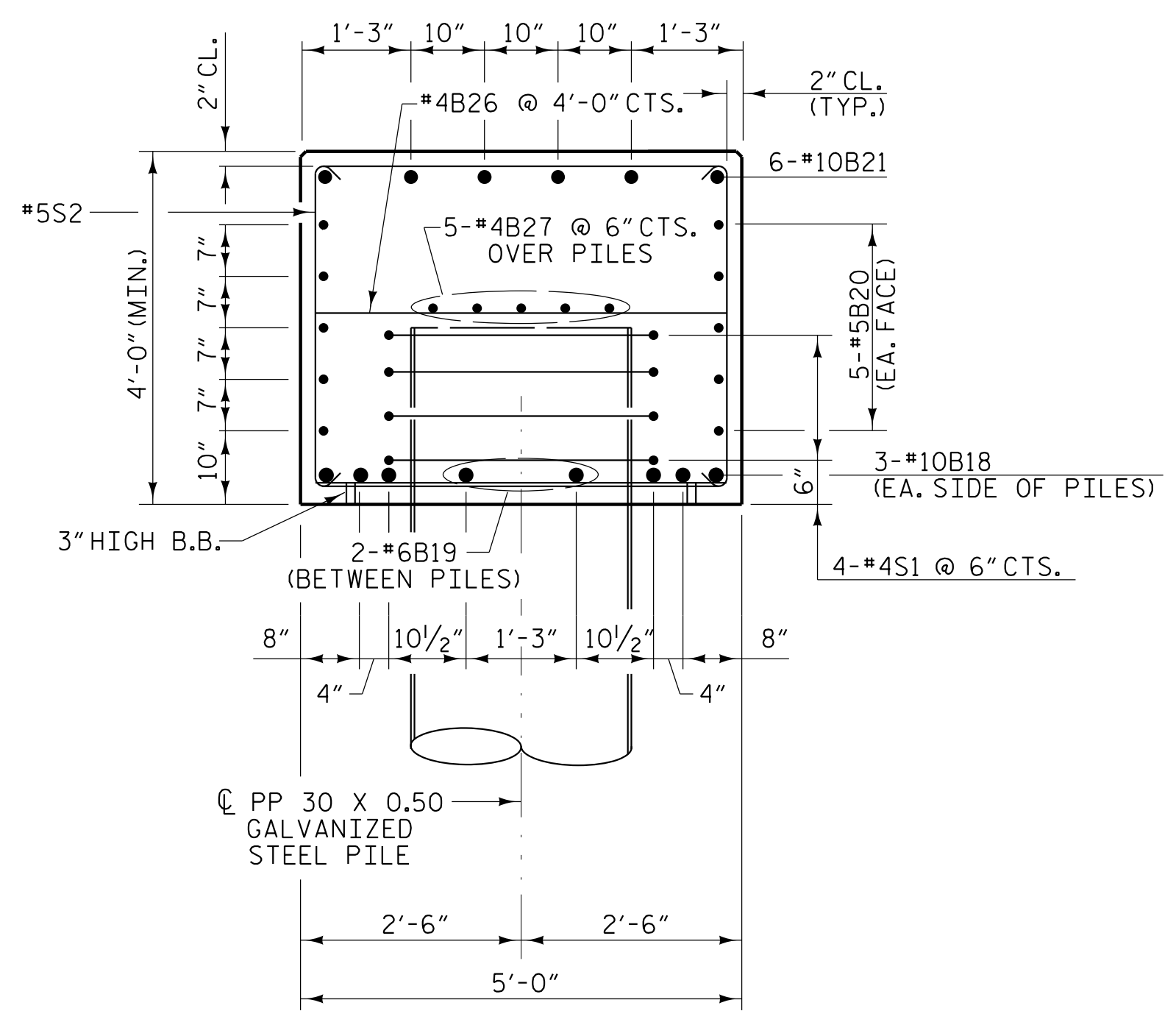


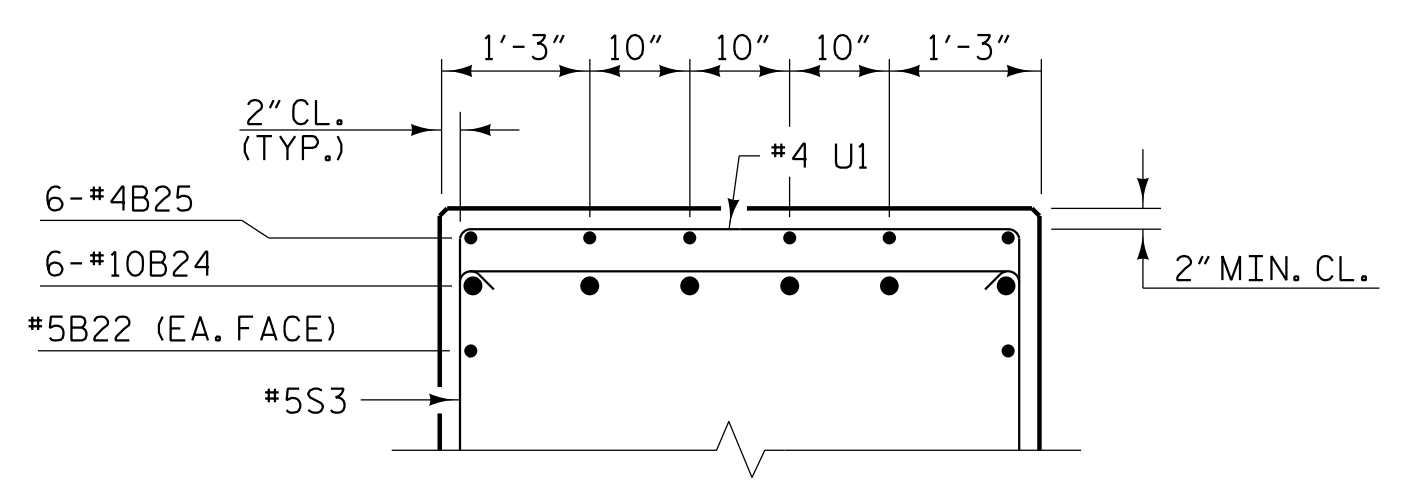
VIEW L3-L3



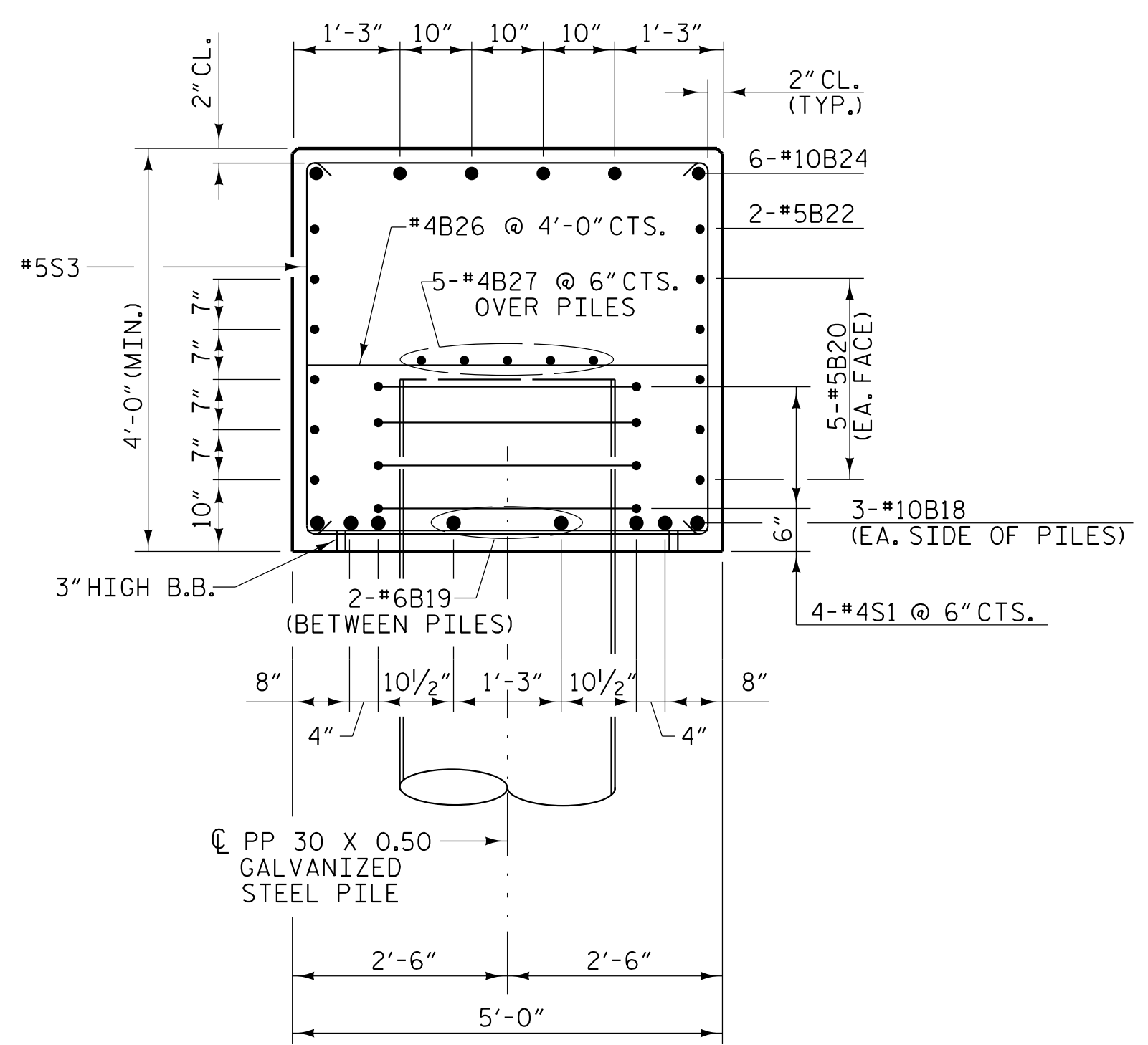
VIEW R3-R3



SECTION A3-A3

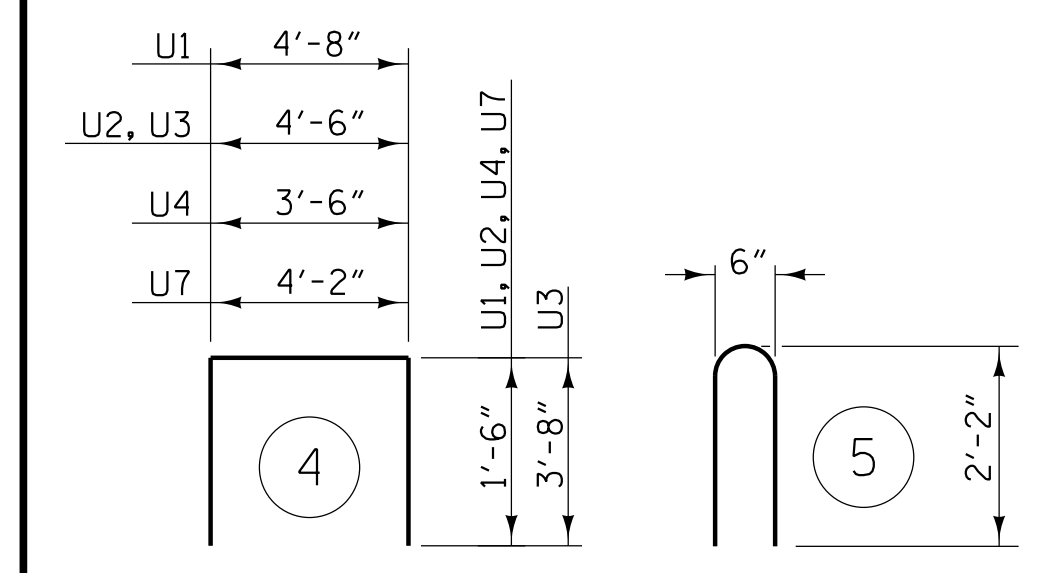
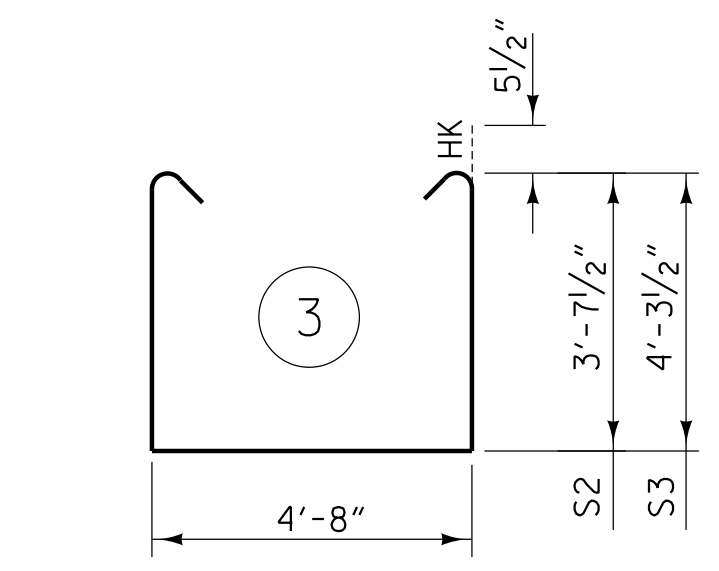
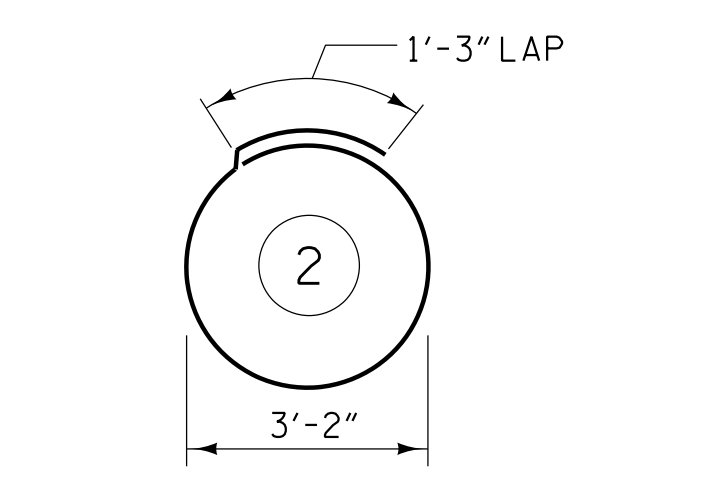
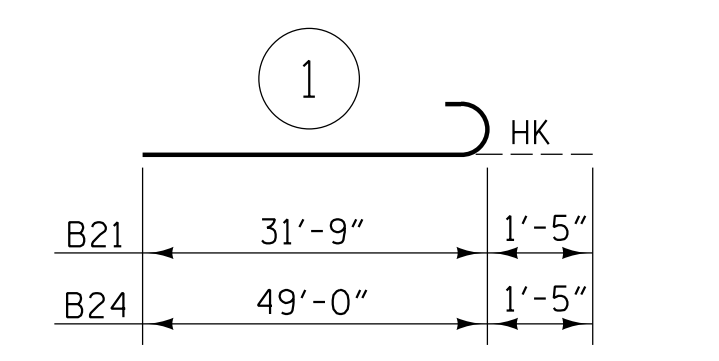


PARTIAL SECTION C3-C3



SECTION B3-B3

BAR TYPES



ALL BAR DIMENSIONS ARE OUT TO OUT

BILL OF MATERIAL

BENT 2 - STAGE III					
BAR	NO.	SIZE	TYPE	LENGTH	WEIGHT
B18	12	#10	STR	39'-0"	2014
B19	12	#6	STR	8'-6"	153
B20	20	#5	STR	37'-6"	782
B21	6	#10	1	33'-2"	856
B22	2	#5	STR	46'-2"	96
B23	6	#4	STR	11'-2"	45
B24	6	#10	1	50'-5"	1302
B25	6	#4	STR	26'-1"	105
B26	18	#4	STR	4'-8"	56
B27	10	#4	STR	37'-2"	248
S1	28	#5	2	10'-8"	312
S2	24	#5	3	12'-10"	321
S3	46	#5	3	14'-2"	680
U1	64	#4	4	7'-8"	328
U2	7	#4	4	7'-6"	35
U3	2	#9	4	11'-10"	80
U4	5	#4	4	6'-6"	22
U7	5	#4	4	7'-2"	24
U8	112	#6	5	4'-10"	813

TOTAL REINFORCING STEEL 8272 LB.

TOTAL CLASS "A" CONCRETE 61.7 CU. YDS.

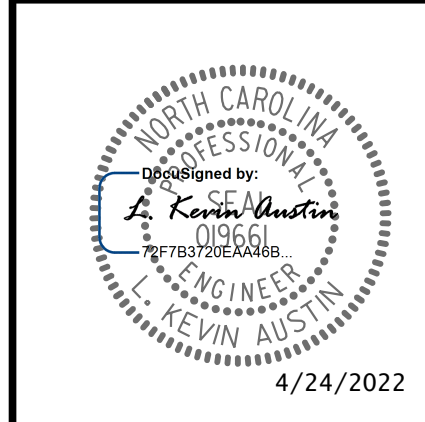


PROJECT NO. I-5987B
 ROBESON COUNTY
 STATION: 586+14.00 -L- POT

SHEET 6 OF 6

STATE OF NORTH CAROLINA
 DEPARTMENT OF TRANSPORTATION
 RALEIGH
 SUBSTRUCTURE
 BENT 2
 DETAILS
 STAGE III

REVISIONS						SHEET NO.
NO.	BY:	DATE:	NO.	BY:	DATE:	S5-52
1			3			TOTAL SHEETS
2			4			64



DOCUMENT NOT CONSIDERED FINAL
 UNLESS ALL SIGNATURES COMPLETED

DRAWN BY : W. B. ALLEN DATE : 12/21
 CHECKED BY : G. F. WILSON DATE : 2/22
 DESIGN ENGINEER OF RECORD: L. K. AUSTIN DATE : 2/22

4/23/2022 9:48:04 AM G:\Projects\2019\2019\2019\CLIENTS\Structures\I-5987B (Big Marsh Swamp)\5987B_SMU_B2_770536.dgn