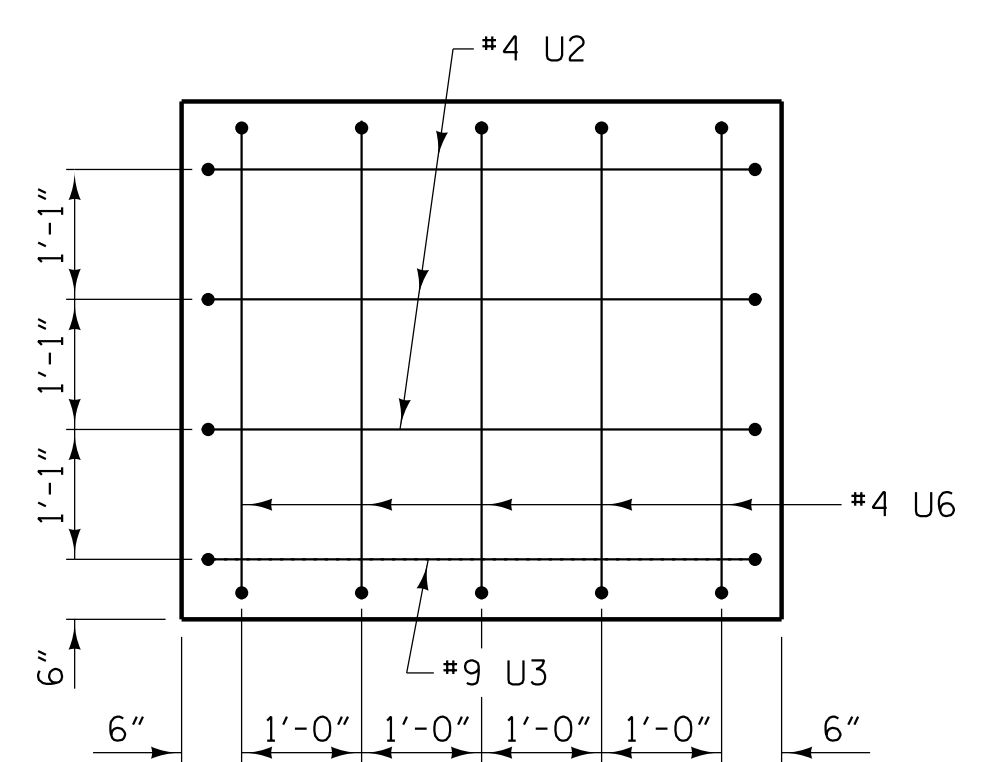
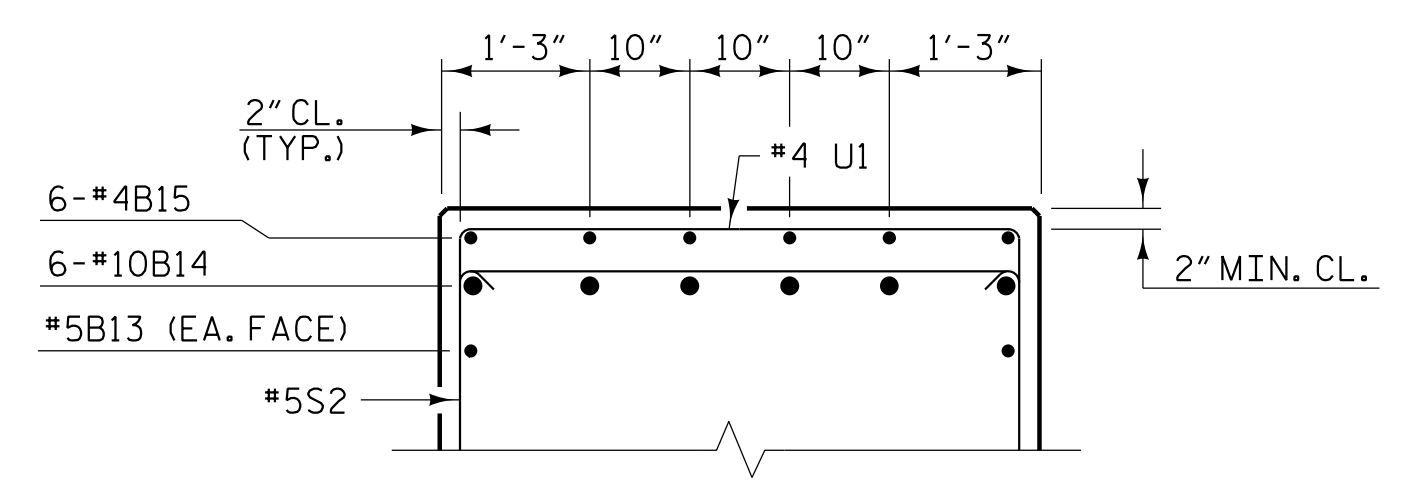


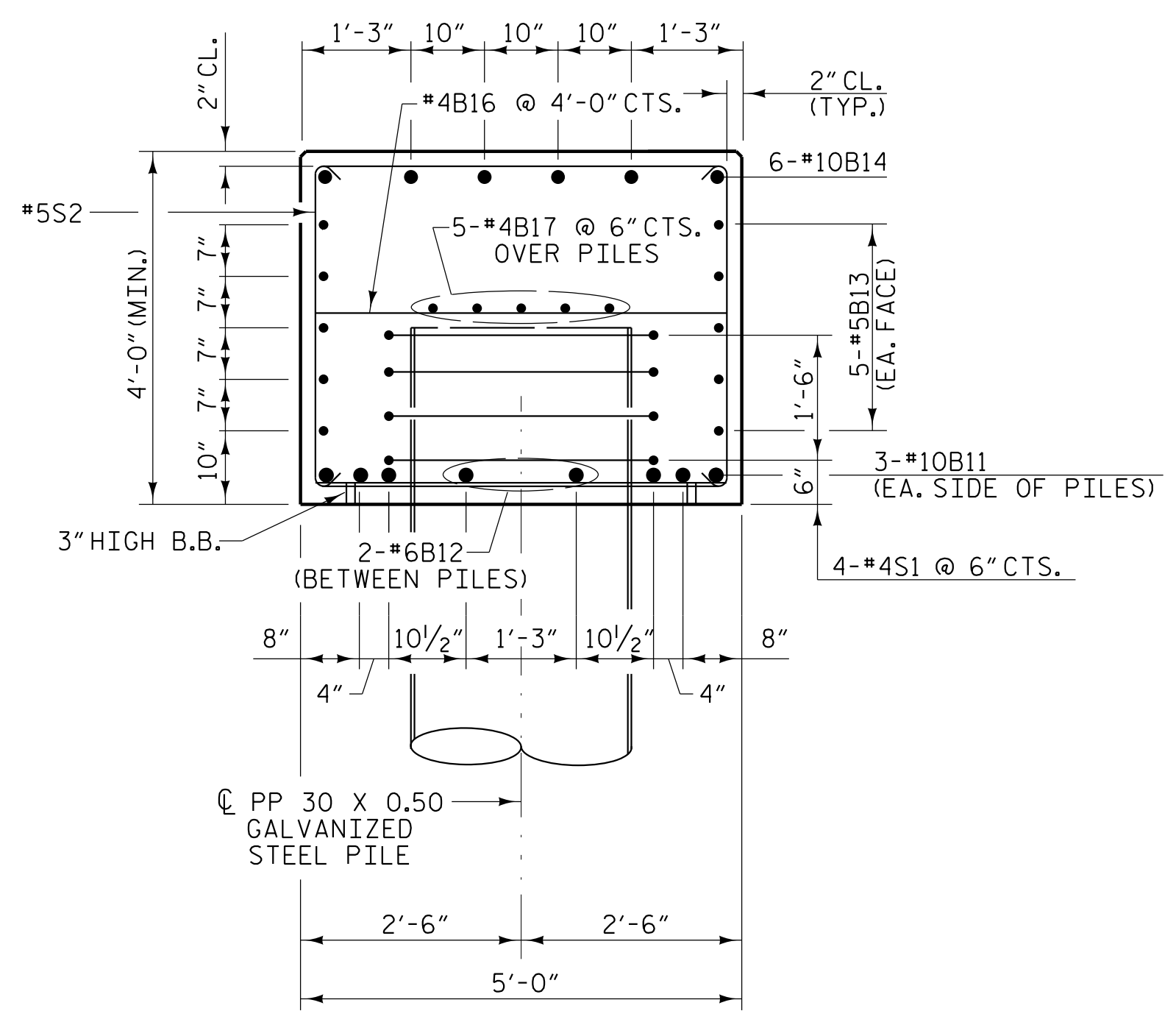
VIEW L2-L2



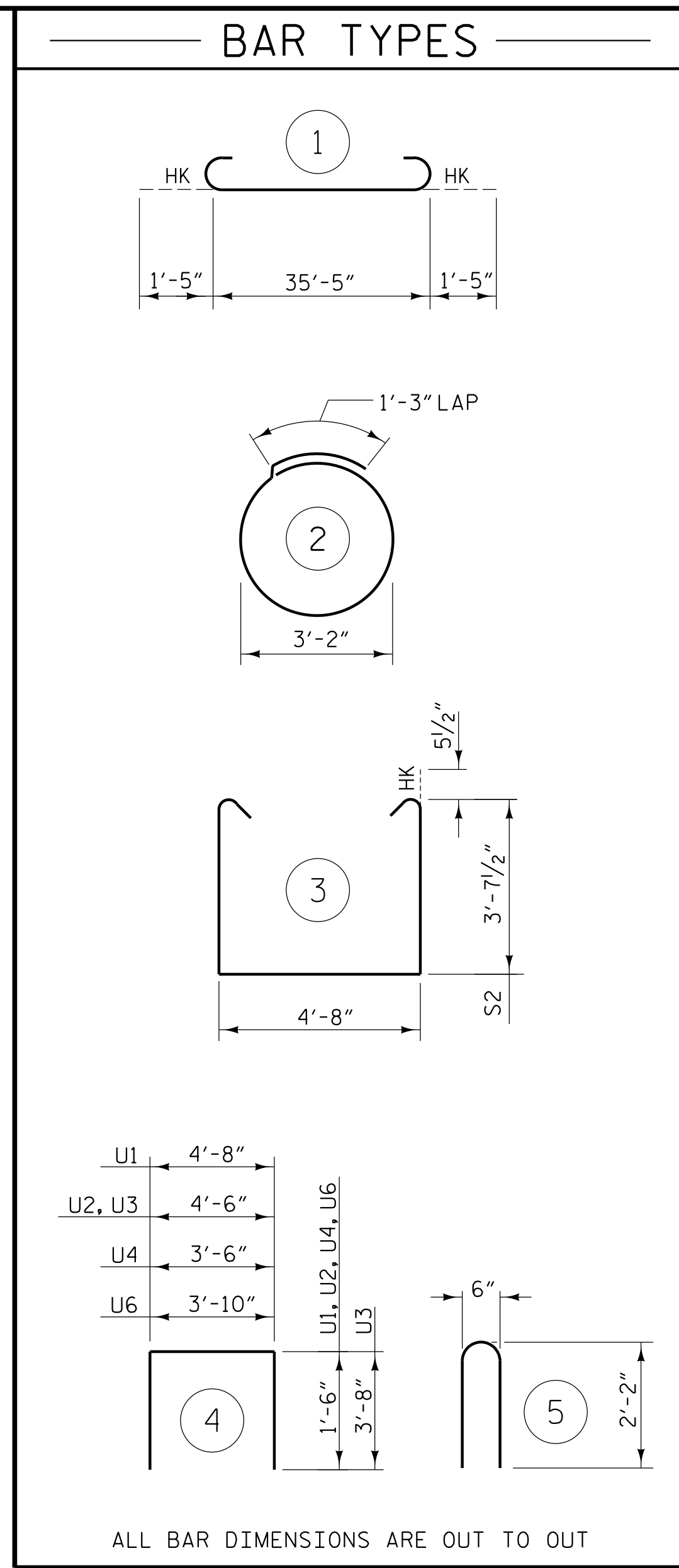
VIEW R2-R2



PARTIAL SECTION C2-C2



SECTION A2-A2



BENT 2 - STAGE II

BAR	NO.	SIZE	TYPE	LENGTH	WEIGHT
B11	6	#10	STR	35'-5"	914
B12	6	#6	STR	7'-8"	69
B13	10	#5	STR	35'-5"	369
B14	6	#10	1	38'-3"	988
B15	6	#4	STR	14'-3"	57
B16	9	#4	STR	4'-8"	28
B17	5	#4	STR	35'-5"	118
S1	16	#4	2	10'-8"	114
S2	34	#5	3	12'-10"	455
U1	32	#4	4	7'-8"	164
U2	6	#4	4	7'-6"	30
U3	2	#9	4	11'-10"	80
U4	5	#4	4	6'-6"	22
U6	5	#4	4	6'-10"	23
U8	64	#6	5	4'-10"	465

TOTAL REINFORCING STEEL 3896LB.  
 TOTAL CLASS "A" CONCRETE 27.8 CU. YDS.



PROJECT NO. I-5987B  
 ROBESON COUNTY  
 STATION: 586+14.00 -L- POT

SHEET 4 OF 6

STATE OF NORTH CAROLINA  
 DEPARTMENT OF TRANSPORTATION  
 RALEIGH  
 SUBSTRUCTURE  
 BENT 2  
 DETAILS  
 STAGE II



REVISIONS

NO.	BY:	DATE:	NO.	BY:	DATE:
1			3		
2			4		

SHEET NO. S5-50  
 TOTAL SHEETS 64

DRAWN BY : W. B. ALLEN DATE : 12/21  
 CHECKED BY : G. F. WILSON DATE : 2/22  
 DESIGN ENGINEER OF RECORD: L. K. AUSTIN DATE : 2/22

DOCUMENT NOT CONSIDERED FINAL  
 UNLESS ALL SIGNATURES COMPLETED

4/25/2022 3:42:44 PM G:\Project\2019\2019\7\03\CLIENT\Structures\I-5987B (Big Marsh Swamp)\5987B\_SMU.BID\_770536.dgn