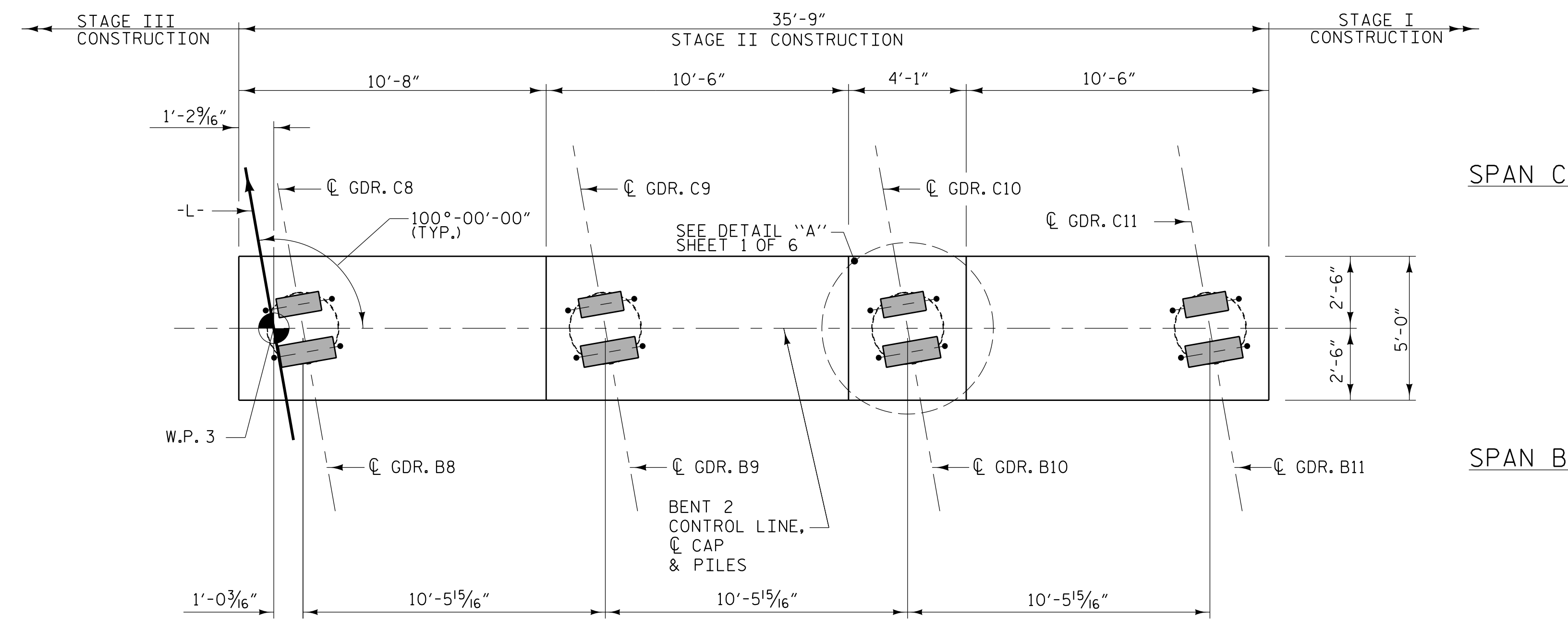
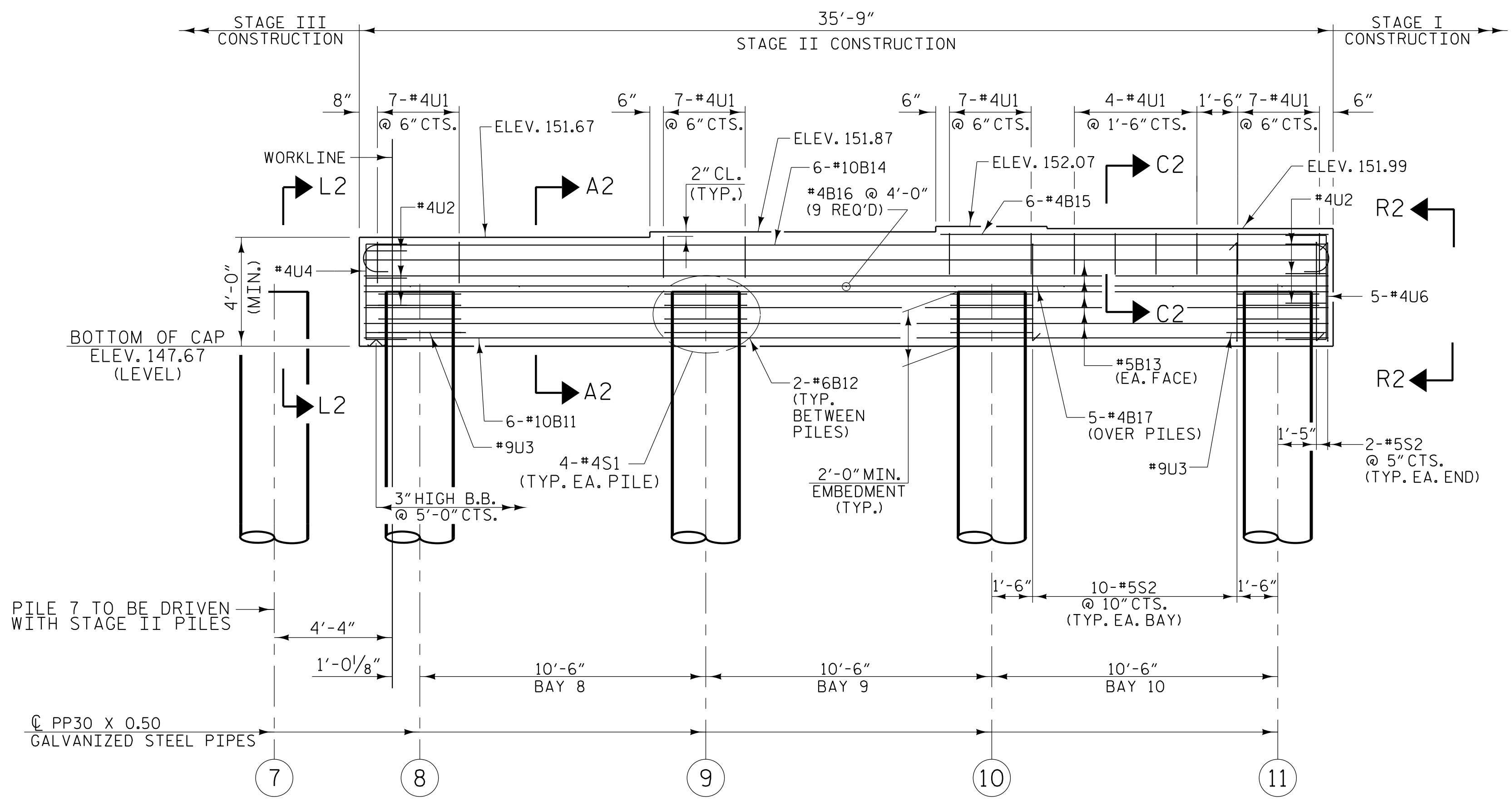


NOTES

FOR NOTES SEE SHEET 1 OF 6.



PLAN



ELEVATION

⊕ INDICATES PILE NUMBER

PROJECT NO. I-5987B  
ROBESON COUNTY  
 STATION: 586+14.00 -L- POT

SHEET 3 OF 6

PLANS PREPARED BY:

NV5 ENGINEERS & CONSULTANTS, INC.  
 3300 REGENCY PARKWAY, SUITE 100  
 CARY, NC 27518  
 P: 919.851.1912 www.NV5.com  
 NC License # F-1333



STATE OF NORTH CAROLINA  
 DEPARTMENT OF TRANSPORTATION  
 RALEIGH  
 SUBSTRUCTURE  
 BENT 2  
 STAGE II

REVISIONS						SHEET NO.
NO.	BY:	DATE:	NO.	BY:	DATE:	TOTAL SHEETS
1			3			64
2			4			

4/23/2022 9:44:02 AM G:\Project\1208\20957\03\CLIENT\Structures\I-5987B (Big Marsh Swamp)\5987B\_SMU\_B9\_770536.dgn

DRAWN BY : J.A. PANDOLI DATE : 2/22  
 CHECKED BY : G.F. WILSON DATE : 2/22  
 DESIGN ENGINEER OF RECORD: L. K. AUSTIN DATE : 2/22

**DOCUMENT NOT CONSIDERED FINAL  
 UNLESS ALL SIGNATURES COMPLETED**

4/24/2022