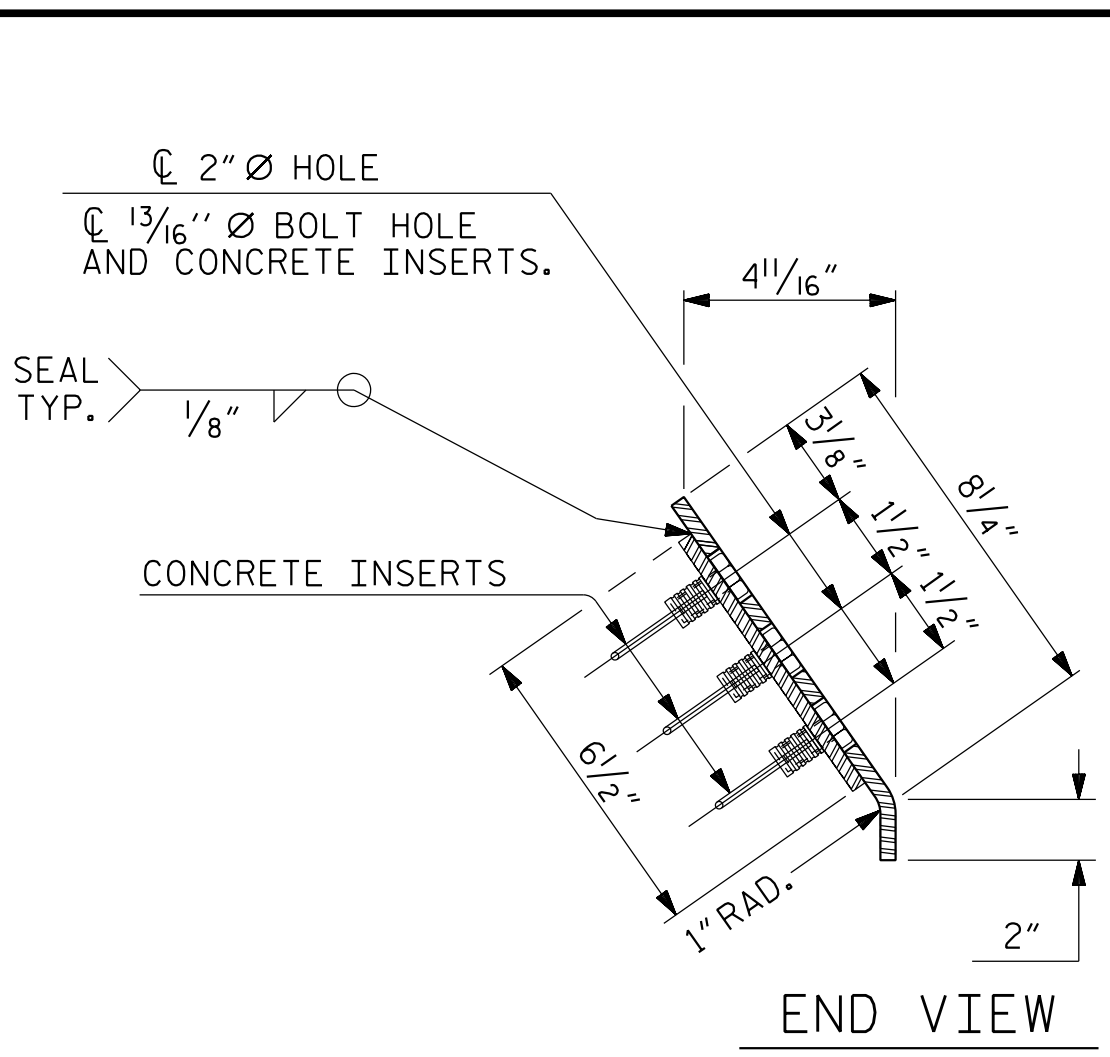
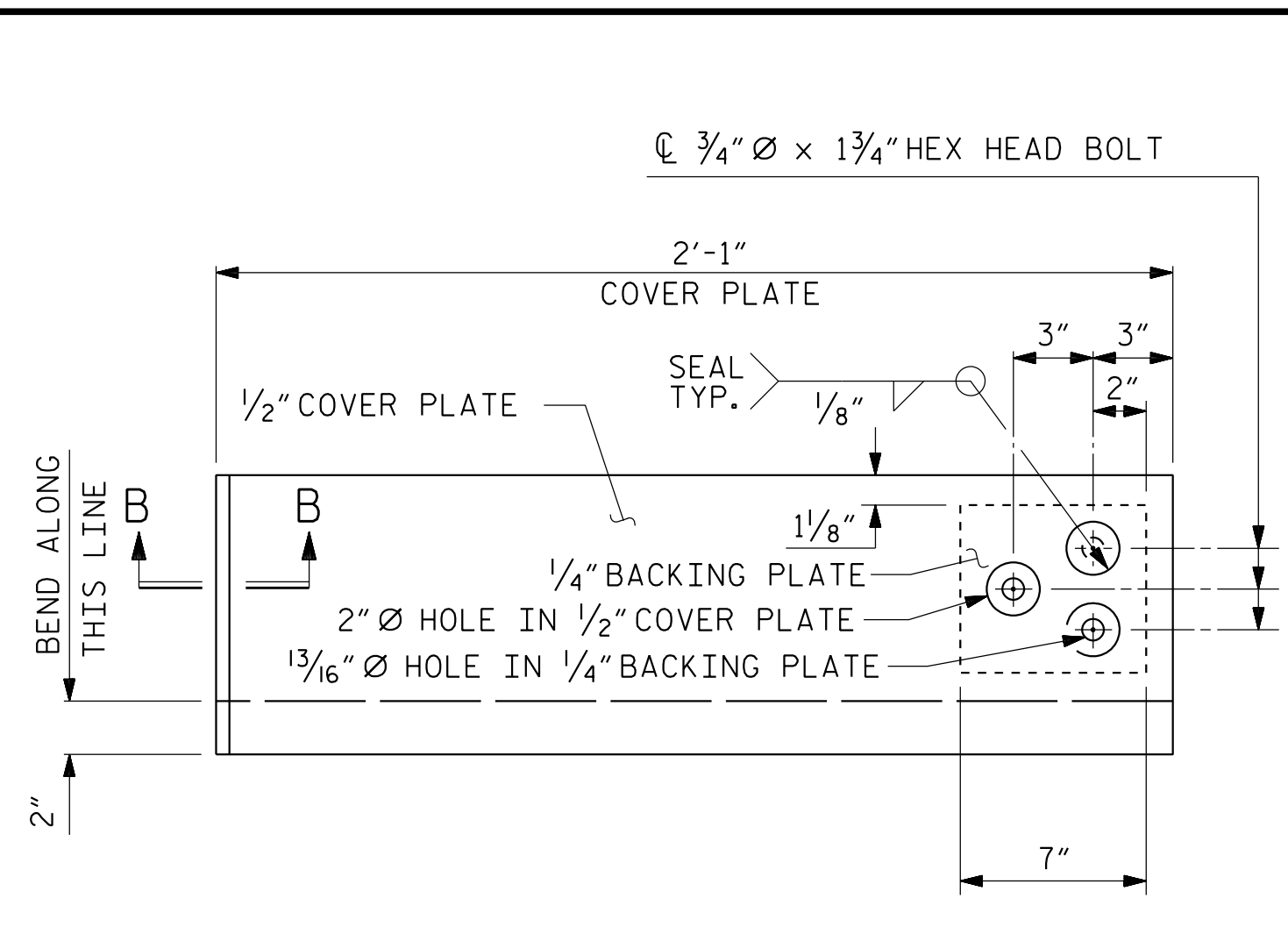


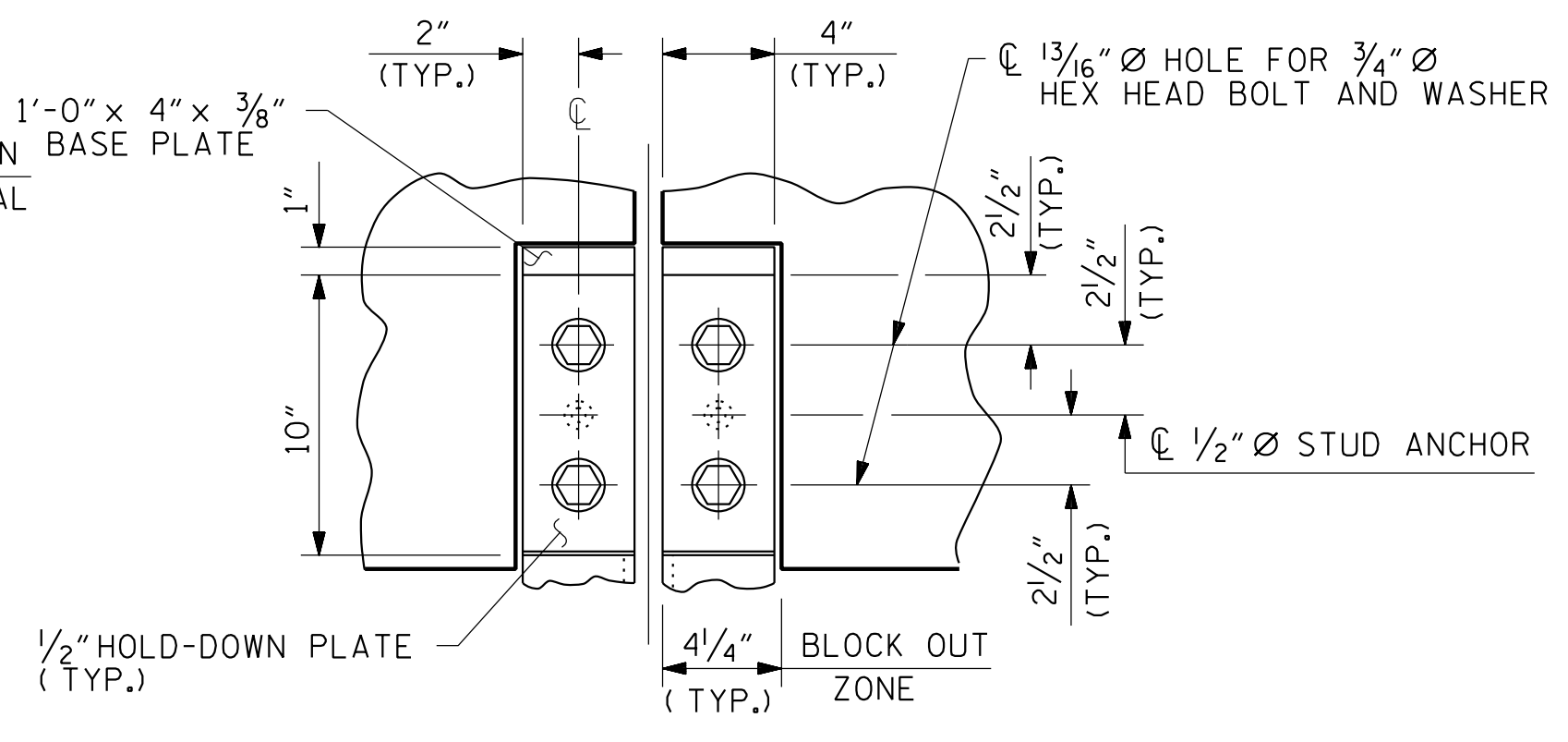
SECTION THRU RAIL NORMAL TO JOINT



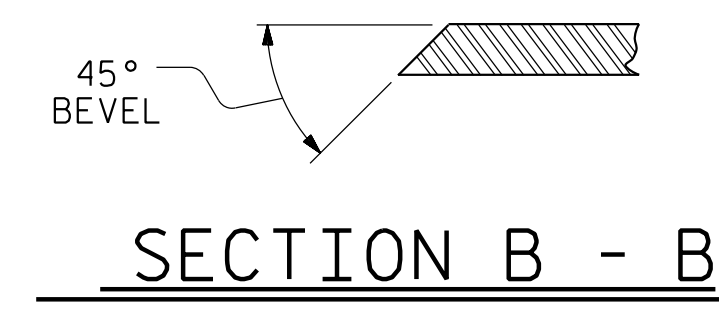
END VIEW



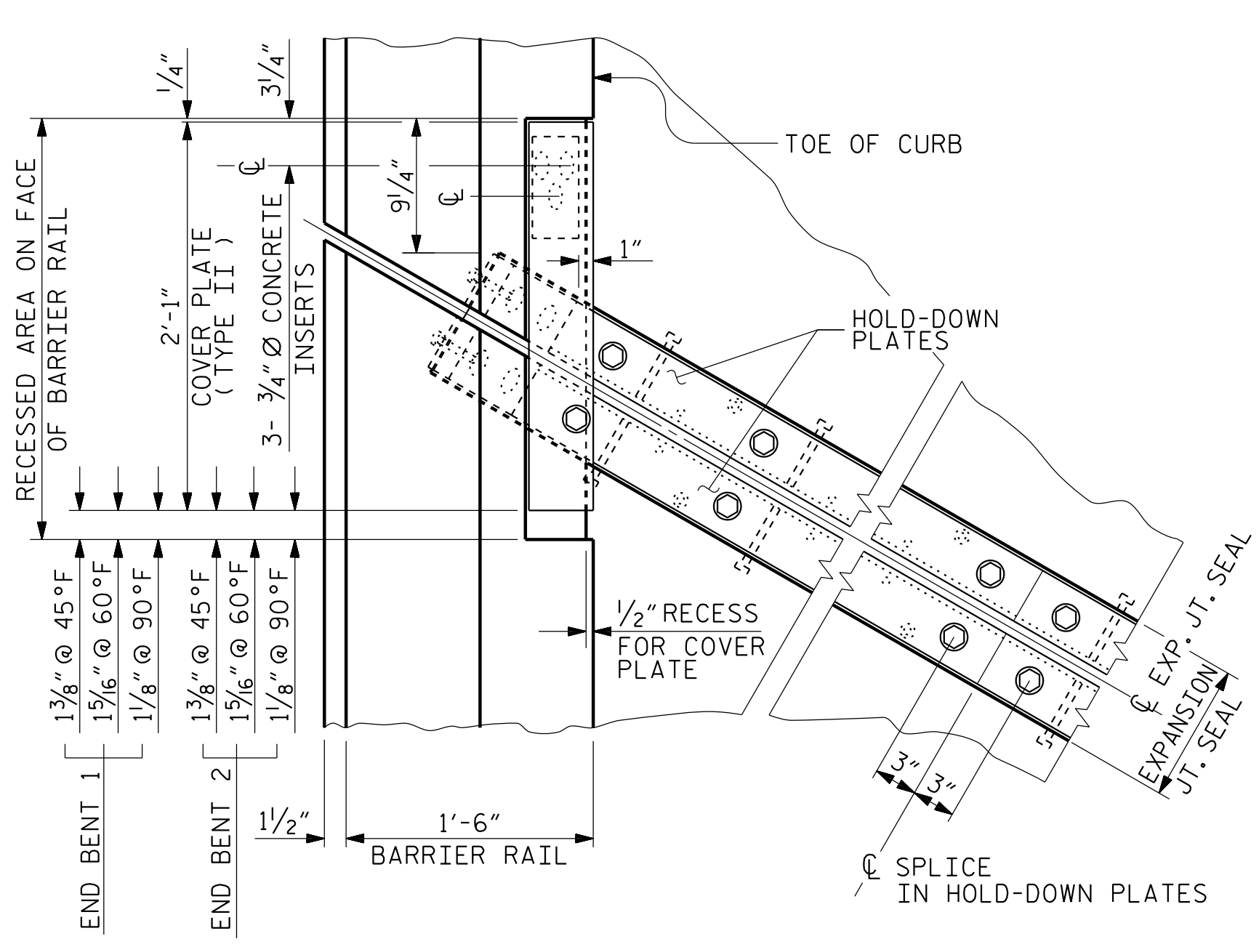
**TYPE II - ELEVATION VIEW
COVER PLATE DETAILS**



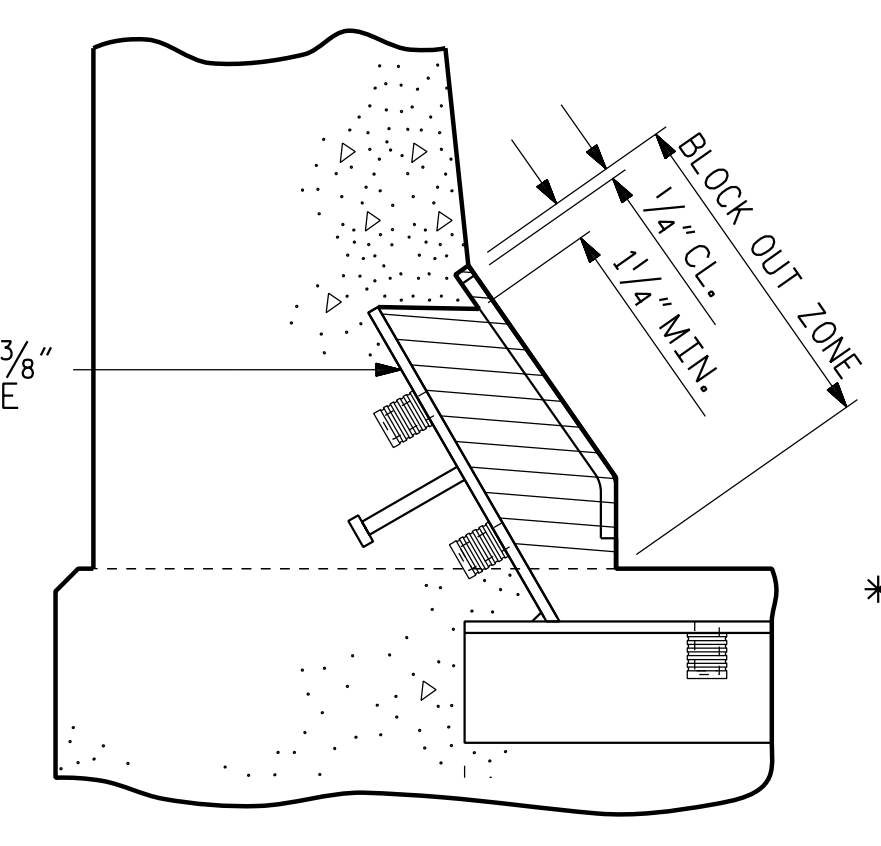
SECTION A - A



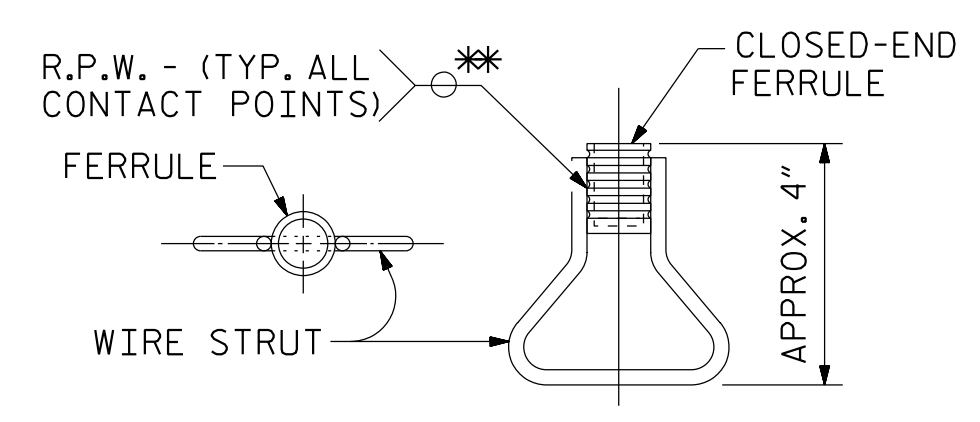
SECTION B - B



PLAN OF EXPANSION JOINT SEAL



BLOCK OUT DETAIL
SEE "SECTION A - A" FOR OTHER DETAILS.



CONCRETE INSERT

* EACH WELDED ATTACHMENT OF WIRE TO FERRULE SHALL DEVELOP THE TENSILE STRENGTH OF THE WIRE.

PROJECT NO. **I-5987B**
ROBESON COUNTY
 STATION: **586+14.00 -L- POT**

SHEET 2 OF 3

PLANS PREPARED BY:
NV5
 NV5 ENGINEERS & CONSULTANTS, INC.
 3300 REGENCY PARKWAY, SUITE 100
 CARY, NC 27518
 P: 919.851.1912 www.nv5.com
 NC License # F-1333

THIS STANDARD DRAWING REVIEWED & ADOPTED FOR USE AT THE REFERENCED LOCATION BY THE UNDERSIGNED:

4/24/2022

STATE OF NORTH CAROLINA
 DEPARTMENT OF TRANSPORTATION
 RALEIGH
**STANDARD
 EXPANSION JOINT
 SEAL DETAILS
 FOR BARRIER RAIL**

ASSEMBLED BY : W. B. ALLEN	DATE : 5/21
CHECKED BY : G. F. WILSON	DATE : 5/21
DRAWN BY : REK 9/87	REV. 7/12 MAA/GM
CHECKED BY : CRK 10/87	REV. 6/13 MAA/GM
	REV. 12/17 MAA/THC

**DOCUMENT NOT CONSIDERED FINAL
 UNLESS ALL SIGNATURES COMPLETED**

REVISIONS						SHEET NO.
NO.	BY:	DATE:	NO.	BY:	DATE:	S5-31
1			3			TOTAL SHEETS
2			4			64