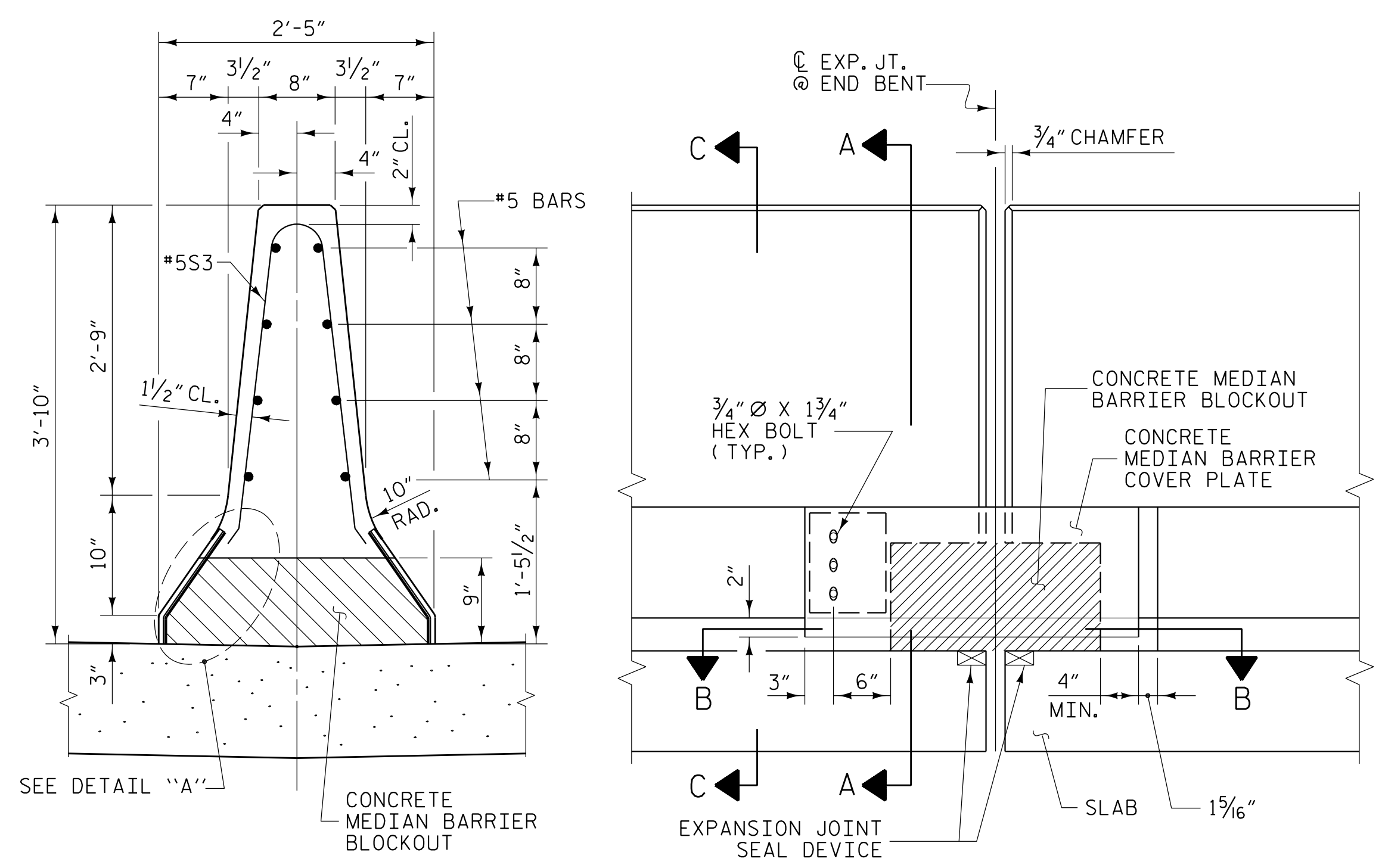
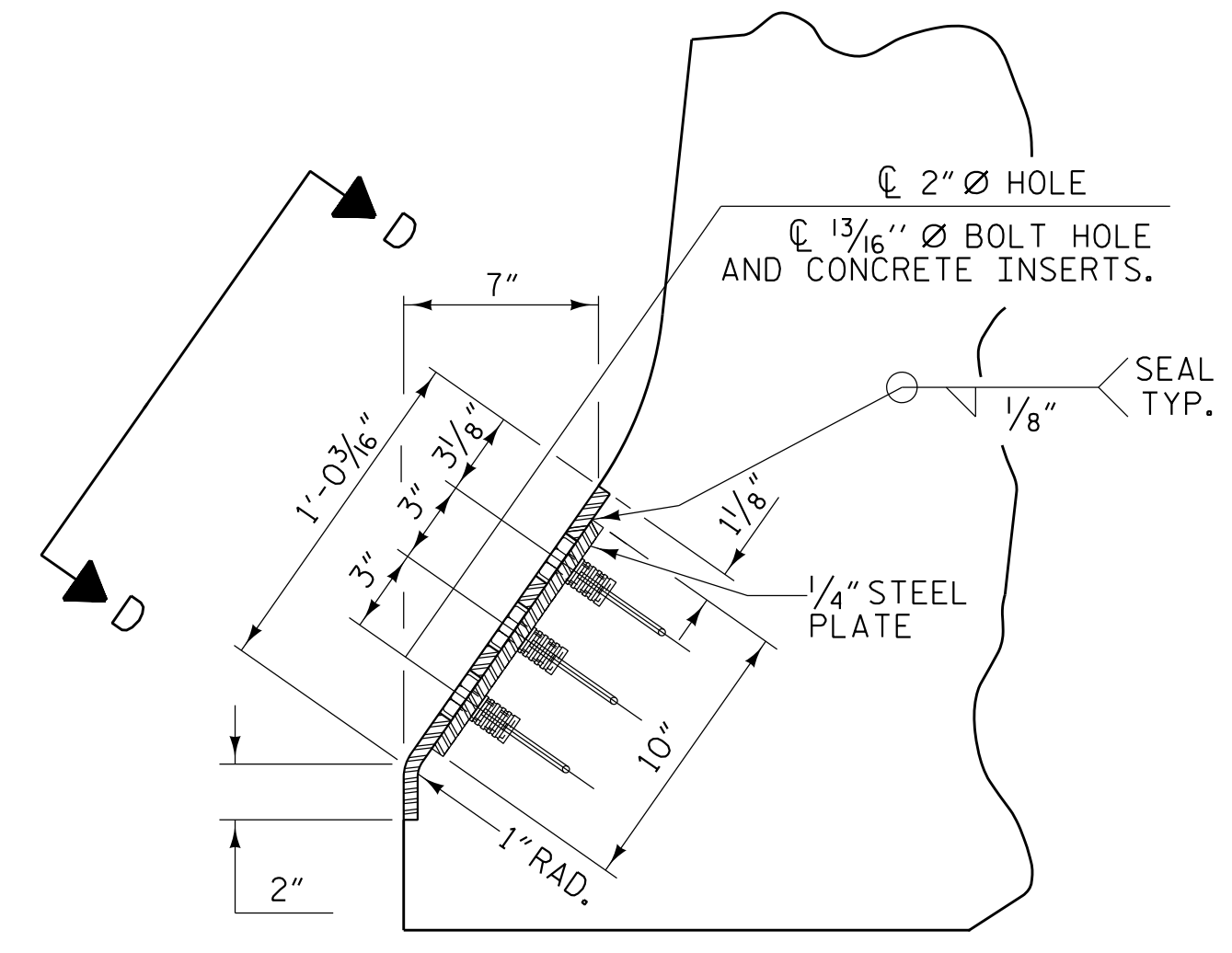


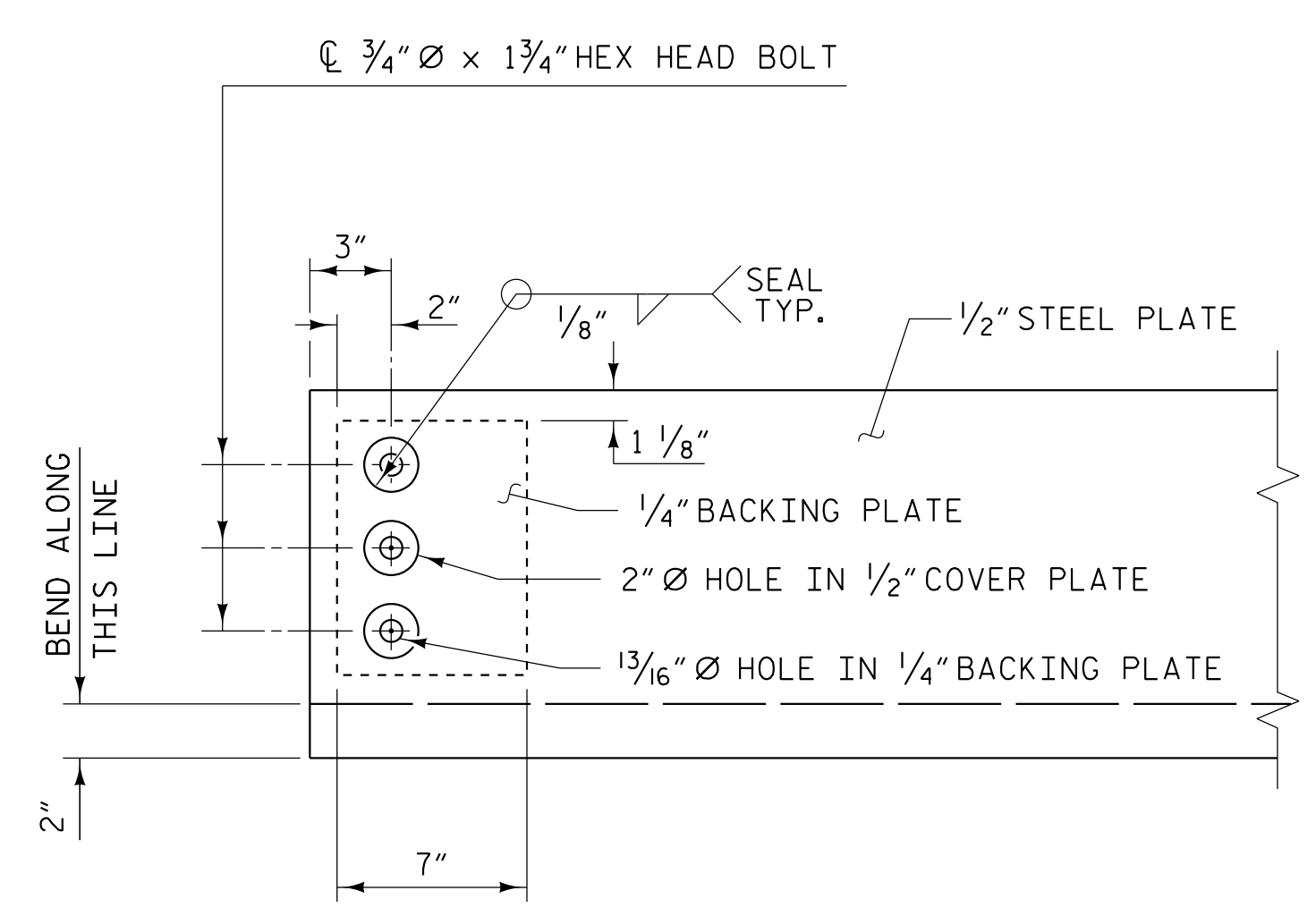
NOTE:
 NO SEPARATE PAYMENT WILL BE MADE FOR FINISHING AND
 INSTALLING THE COVER PLATE. THE ENTIRE COST OF THIS
 WORK SHALL BE INCLUDED IN THE LUMP SUM PRICE FOR
 EXPANSION JOINT SEALS.



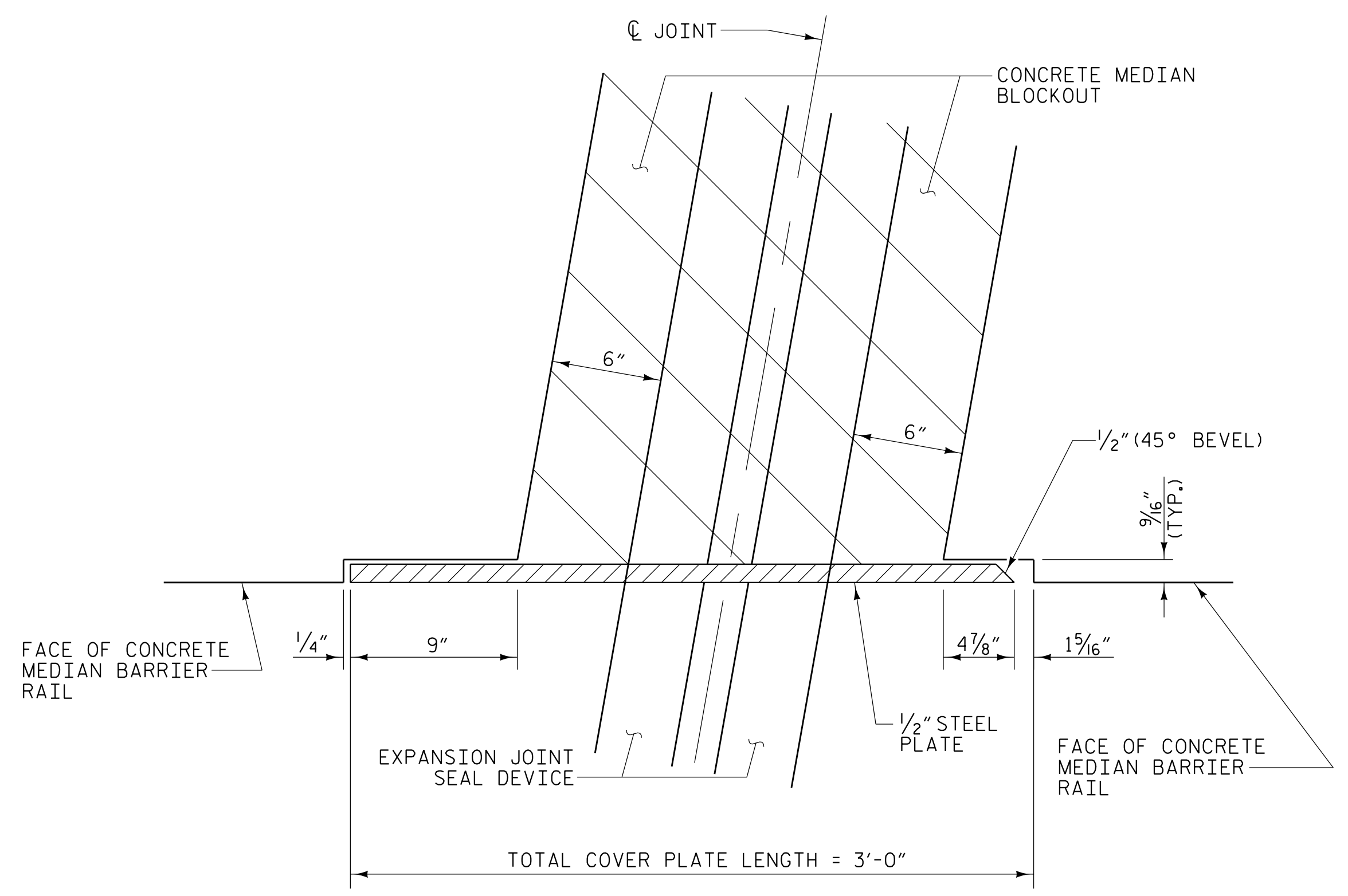
SECTION A-A ELEVATION @ EXP. JOINT



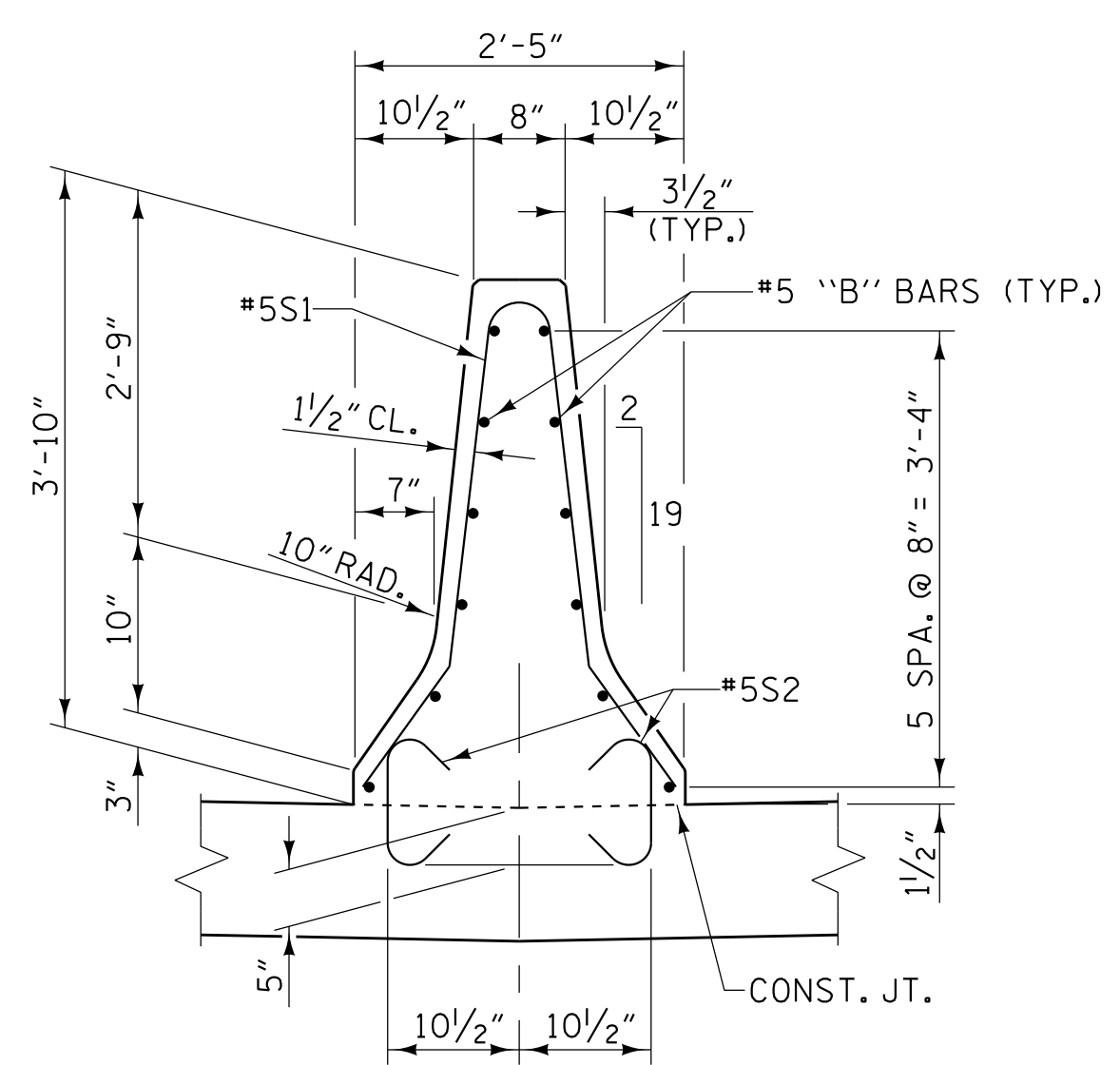
DETAIL "A"



VIEW D-D

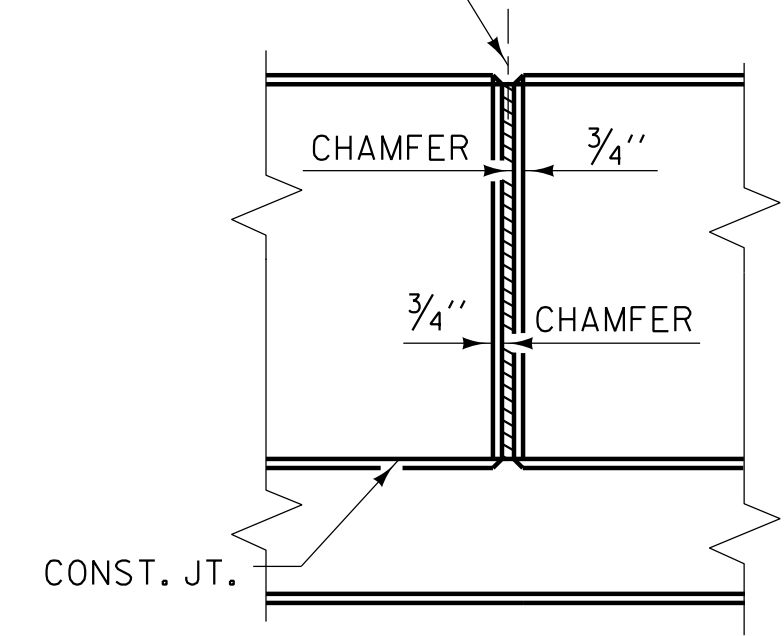


SECTION B-B
 MEDIAN BARRIER COVER PLATE DETAILS



SECTION C - C

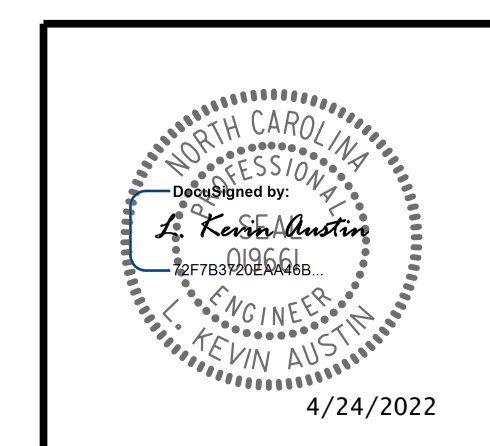
1/2" EXP. JT. MAT'L HELD IN PLACE WITH GALVANIZED NAILS.
 (NOTE: OMIT EXP. JT. MAT'L. WHEN SLIP FORM IS USED.)



ELEVATION AT MEDIAN BARRIER EXPANSION JOINTS

MEDIAN BARRIER DETAILS

PLANS PREPARED BY:
NV5
 NV5 ENGINEERS & CONSULTANTS, INC.
 3300 REGENCY PARKWAY, SUITE 100
 CARY, NC 27518
 P: 919.851.1912 www.NV5.com
 NC License # F-1333



PROJECT NO. I-5987B
ROBESON COUNTY
 STATION: 586+14.00 -L- POT

SHEET 2 OF 2

STATE OF NORTH CAROLINA
 DEPARTMENT OF TRANSPORTATION
 RALEIGH
 SUPERSTRUCTURE
**CONCRETE
 MEDIAN BARRIER**

REVISIONS				SHEET NO.	
NO.	BY:	DATE:	NO.	BY:	DATE:
1			3		
2			4		

TOTAL SHEETS: 64

DRAWN BY: W. B. ALLEN DATE: 10/21
 CHECKED BY: G. F. WILSON DATE: 2/22
 DESIGN ENGINEER OF RECORD: L. K. AUSTIN DATE: 2/22

**DOCUMENT NOT CONSIDERED FINAL
 UNLESS ALL SIGNATURES COMPLETED**

4/22/2022 5:52:38 PM G:\Project\2019\2019\7\03\CLIENT\Structures\I-5987B (Big Marsh Swamp)\5987B.SMU.BR3.770536.dgn