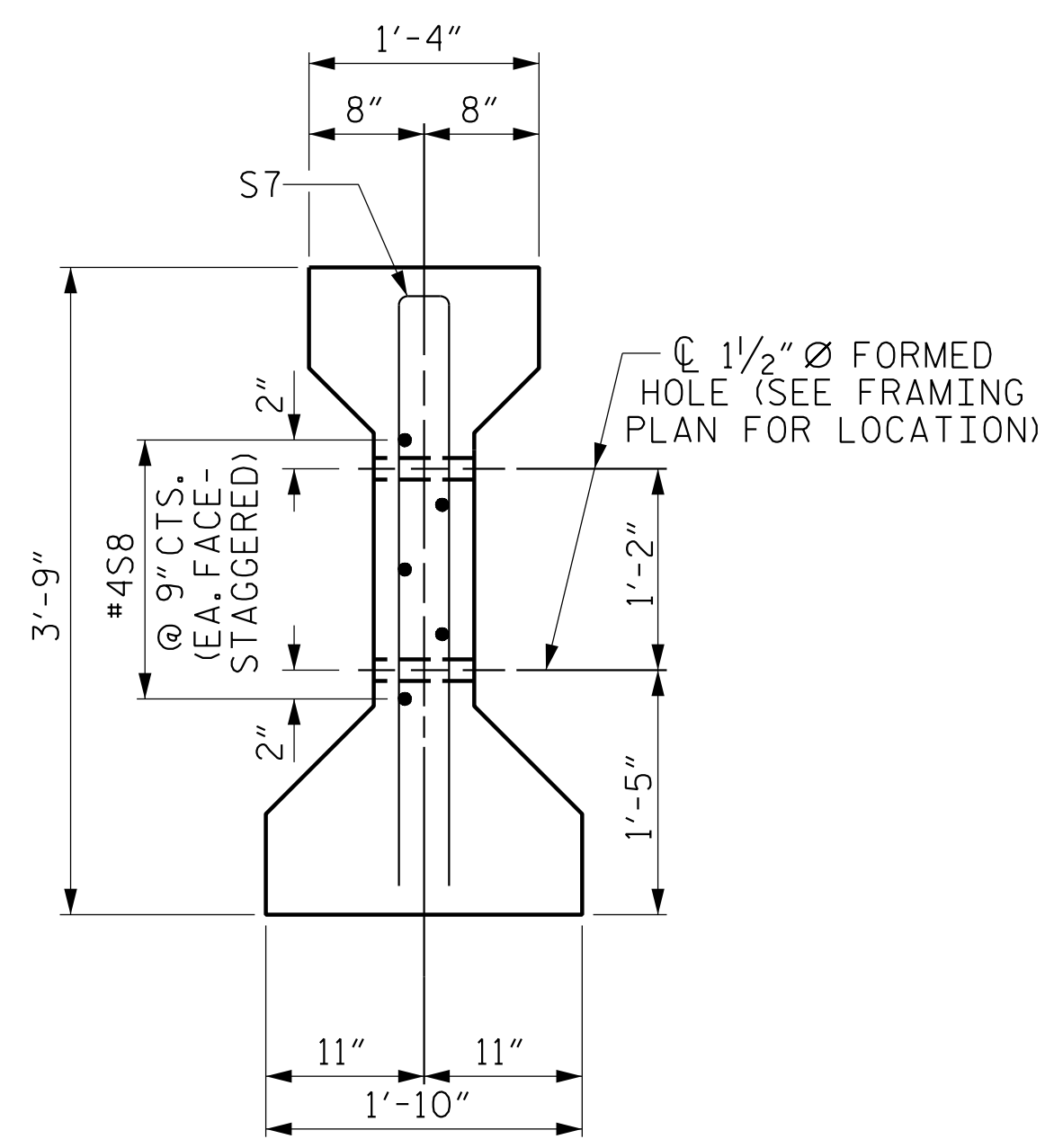


SECTION B-B

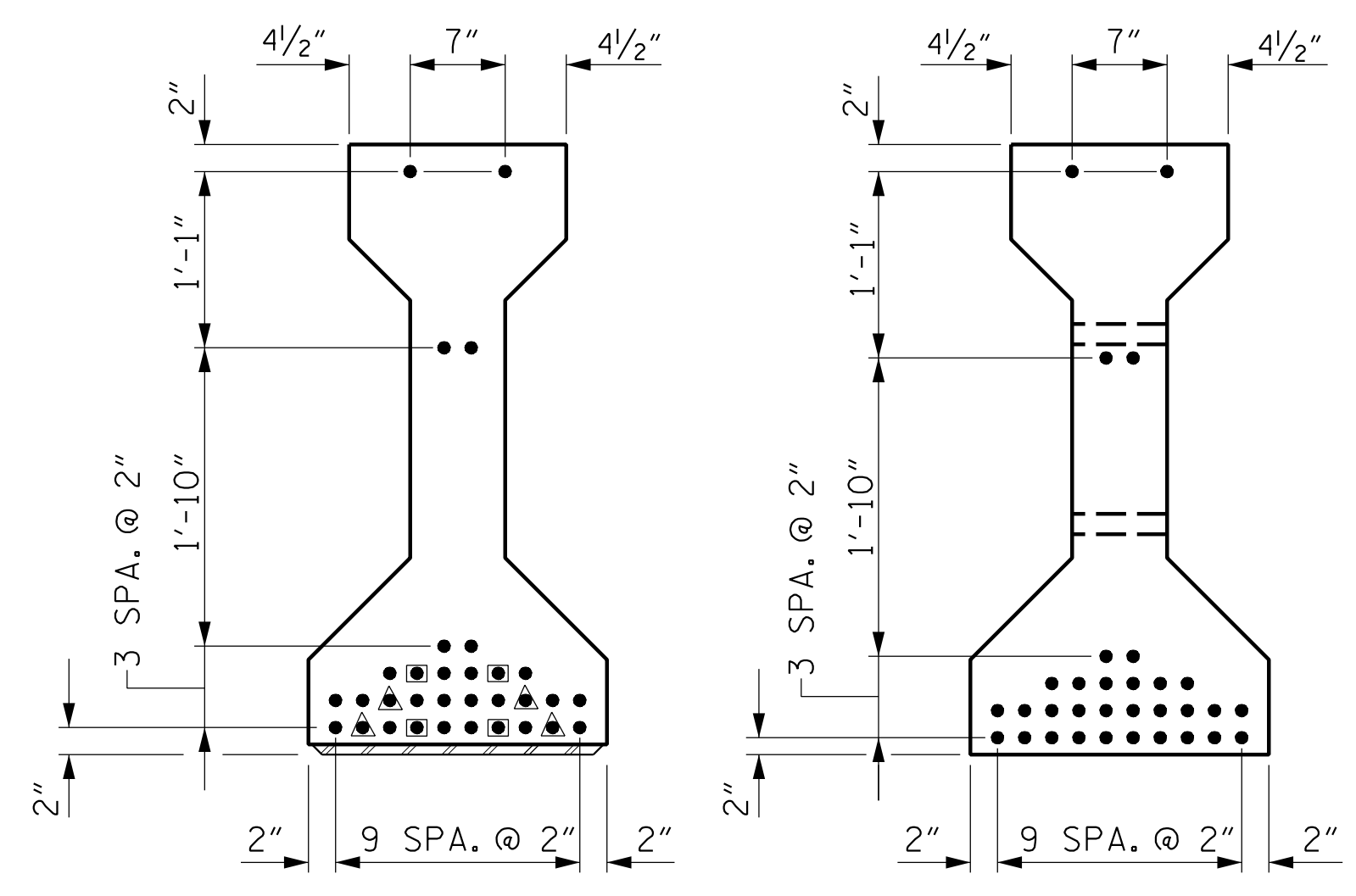


SECTION C-C

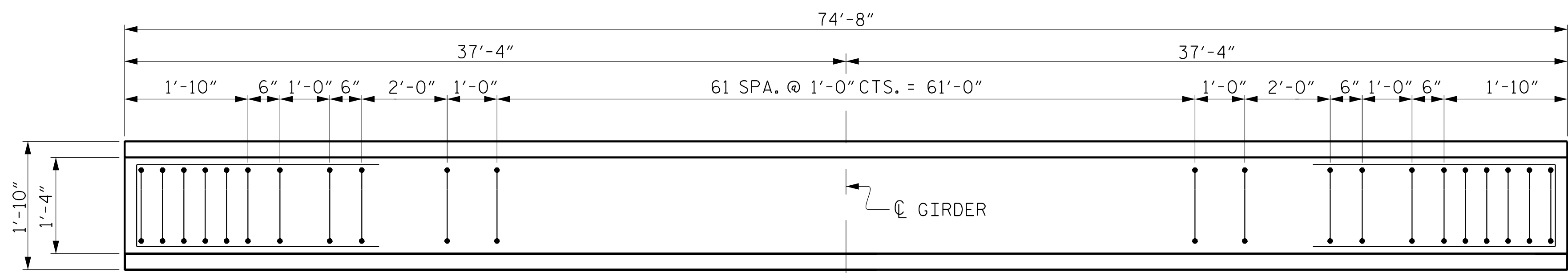
(S1 BARS NOT SHOWN)

DEBONDING LEGEND

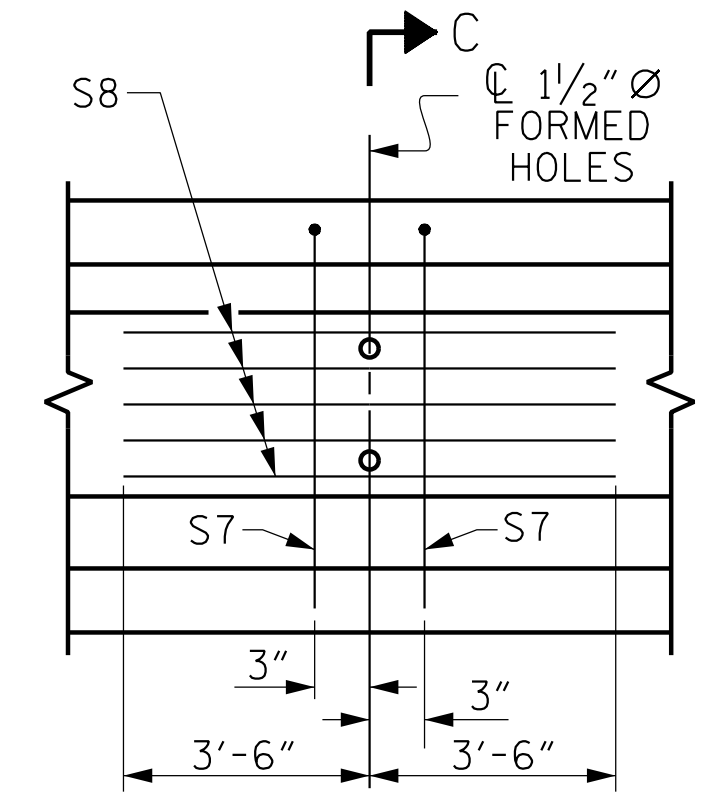
- FULLY BONDED STRANDS
- ◻ STRANDS DEBONDED FOR 6'-0" FROM END OF GIRDER
- ◻ STRANDS DEBONDED FOR 8'-0" FROM END OF GIRDER



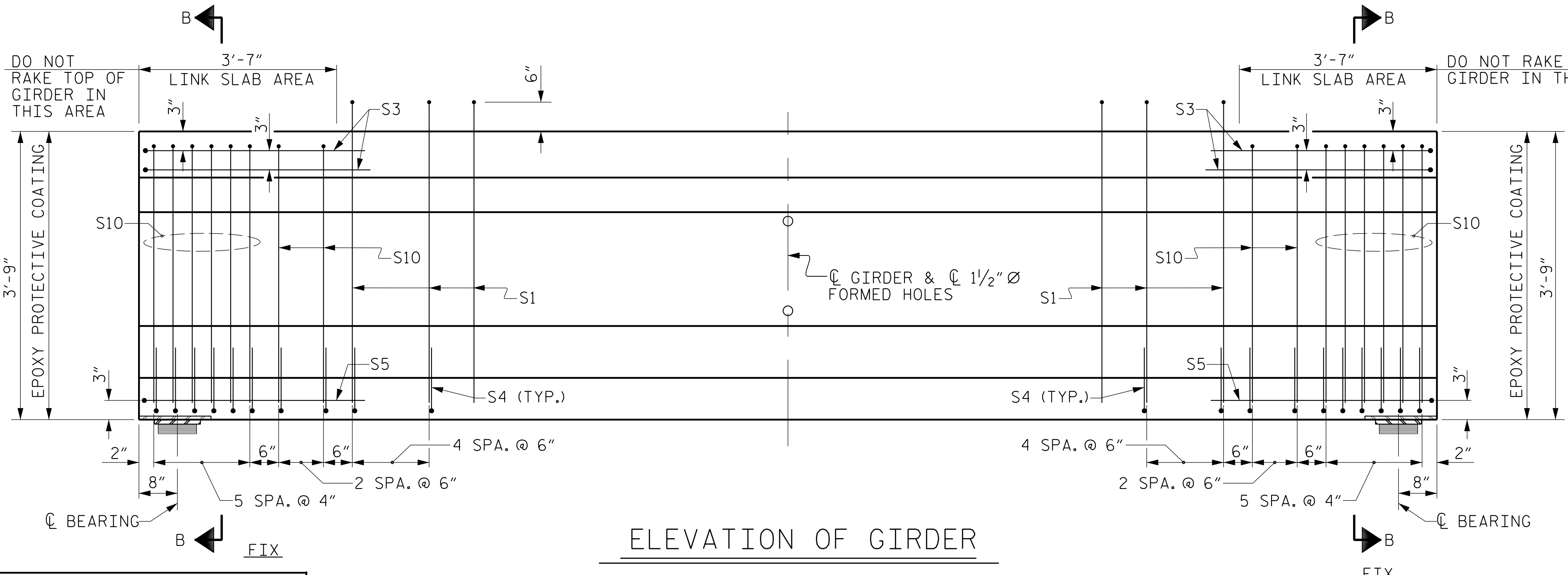
AT END OF GIRDER AT CL OF GIRDER
0.6" Ø LOW RELAXATION STRAND LAYOUT



PLAN OF GIRDER



PARTIAL ELEVATION
SHOWING INTERMEDIATE DIAPHRAGM REINFORCING STEEL FOR ALL GIRDERS

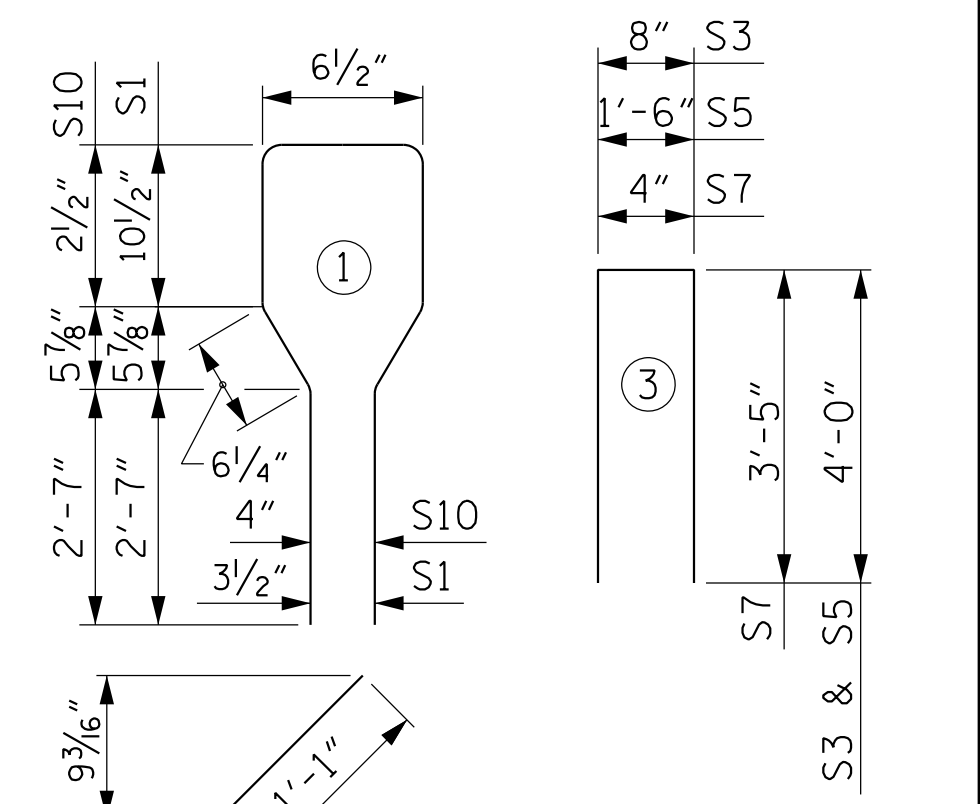


ELEVATION OF GIRDER

0.6" Ø L.R. GRADE 270 STRANDS		
AREA (SQUARE INCHES)	ULTIMATE STRENGTH (LBS. PER STRAND)	APPLIED PRESTRESS (LBS. PER STRAND)
0.217	58,600	43,950

REINFORCING STEEL FOR ONE GIRDER					
BAR	NUMBER	SIZE	TYPE	LENGTH	WEIGHT
S1	72	#4	1	8'-6"	409
S3	4	#4	3	8'-8"	23
S4	56	#4	2	2'-9"	103
S5	2	#4	3	9'-6"	13
S7	2	#5	3	7'-2"	15
S8	5	#4	STR	7'-0"	23
S10	18	#6	1	7'-2"	194

BAR TYPES



ALL BAR DIMENSIONS ARE OUT-TO-OUT

QUANTITIES FOR ONE GIRDER

	REINFORCING STEEL	10000 PSI CONCRETE	0.6" Ø L.R. STRANDS
	LB.	C.Y.	No.
GDRS. 1 - 15	780	10.7	32

GIRDERS REQUIRED

NUMBER	LENGTH	TOTAL LENGTH
15	74'-8"	1120'-0"

PROJECT NO. I-5987B
ROBESON COUNTY
STATION: 586+14.00 -L- POT

SHEET 2 OF 4

STATE OF NORTH CAROLINA
DEPARTMENT OF TRANSPORTATION
RALEIGH
STANDARD
AASHTO TYPE III
PRESTRESSED CONCRETE GIRDER
-LINK SLAB
SPAN B

REVISIONS				SHEET NO.	
NO.	BY:	DATE:	NO.	BY:	DATE:
1			3		
2			4		

TOTAL SHEETS
64

4/25/2022 3:54 PM G:\Project\2019\2019\I-5987B\Drawings\Structures\I-5987B_SML_G2_770536.dgn

ASSEMBLED BY : W. B. ALLEN DATE : 12/21
CHECKED BY : G. F. WILSON DATE : 2/22
DRAWN BY : BNB 09/21
CHECKED BY : AAI 09/21

DOCUMENT NOT CONSIDERED FINAL
UNLESS ALL SIGNATURES COMPLETED

PLANS PREPARED BY:

NV5 ENGINEERS & CONSULTANTS, INC.
3300 REGENCY PARKWAY, SUITE 100
CARY, NC 27518
P: 919.851.1912 www.NV5.com
NC License # F-1333

THIS STANDARD DRAWING REVIEWED & ADOPTED FOR USE AT THE REFERENCED LOCATION BY THE UNDERSIGNED:

4/25/2022