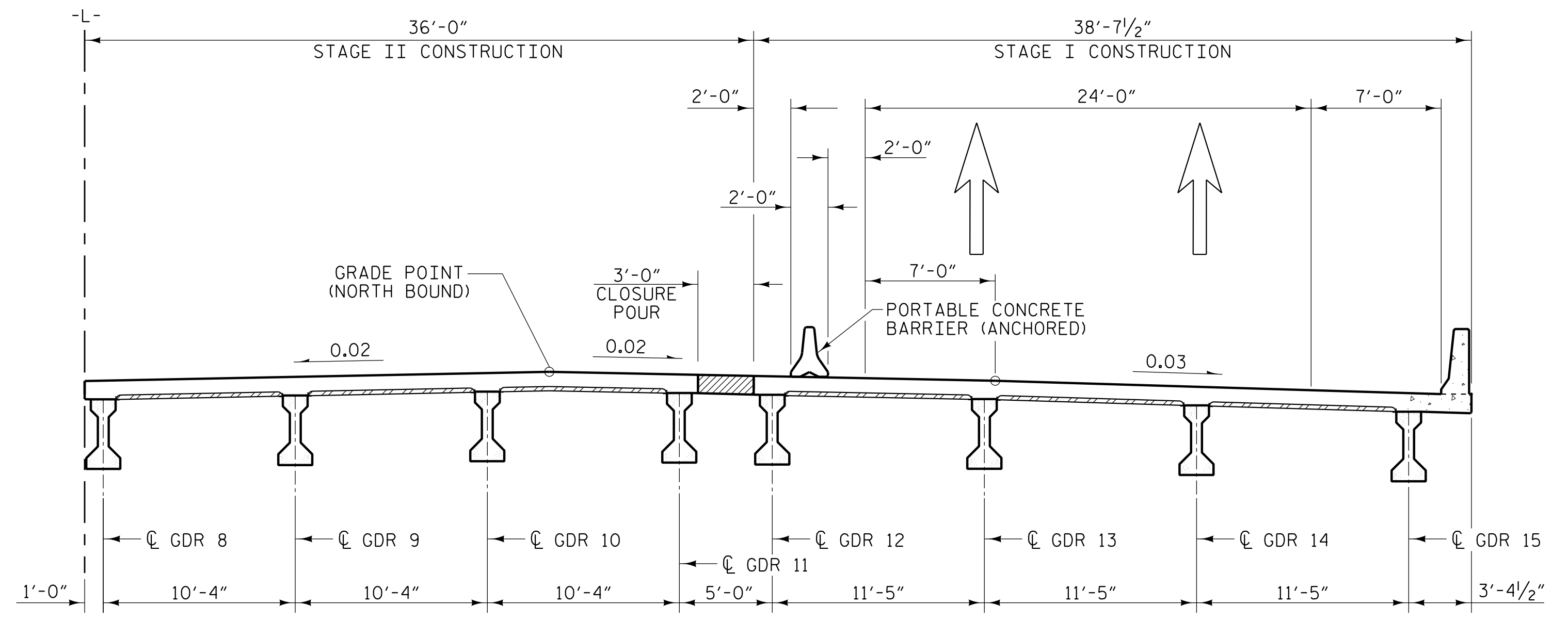
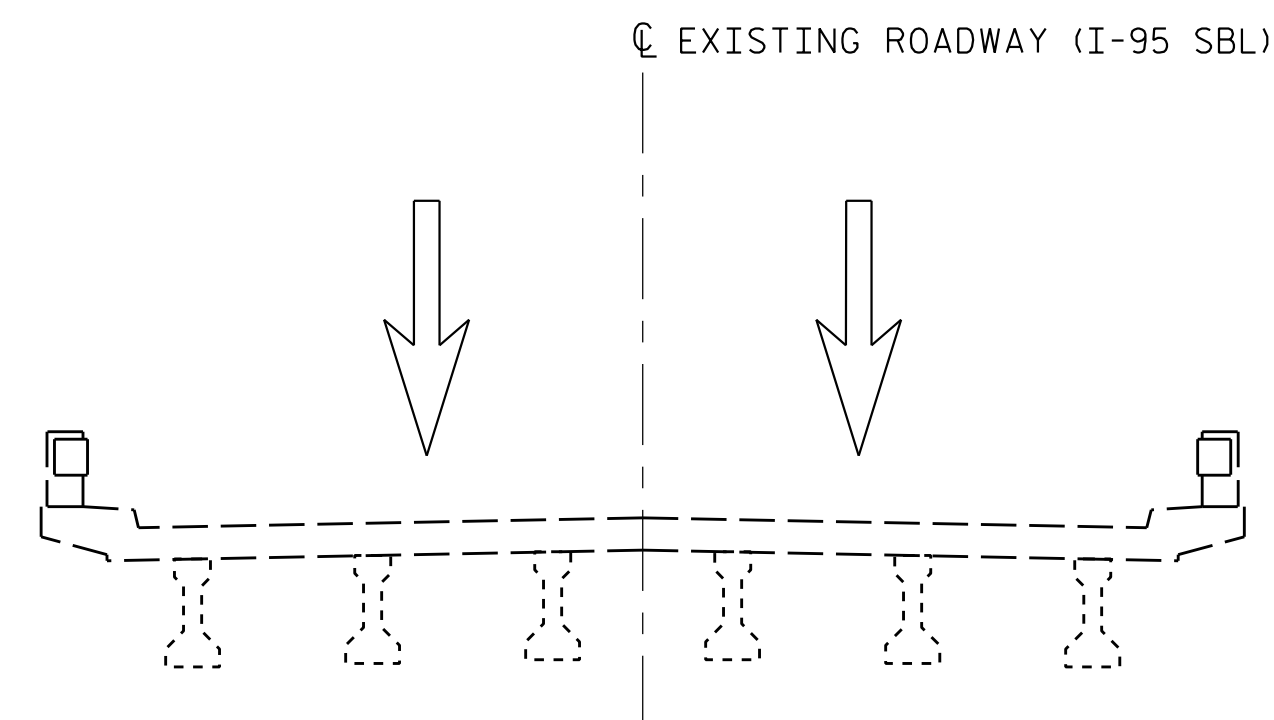


STAGE I CONSTRUCTION



STAGE II CONSTRUCTION

NOTES:

FOR TRAFFIC PHASING, SEE TRAFFIC CONTROL PLANS.
 THE PORTABLE CONCRETE BARRIER IS A TRAFFIC CONTROL PAY ITEM.
 SEE TRAFFIC CONTROL PLANS FOR LOCATION AND PAY LIMITS OF THE PORTABLE CONCRETE BARRIER.

PROJECT NO. I-5987B
ROBESON COUNTY
 STATION: 586+14.00 -L- POT

SHEET 1 OF 2

STATE OF NORTH CAROLINA
 DEPARTMENT OF TRANSPORTATION
 RALEIGH

CONSTRUCTION STAGING SEQUENCE

REVISIONS						SHEET NO.
NO.	BY:	DATE:	NO.	BY:	DATE:	TOTAL SHEETS
1			3			64
2			4			

S5-7

PLANS PREPARED BY:

NV5

NV5 ENGINEERS & CONSULTANTS, INC.
 3300 REGENCY PARKWAY, SUITE 100
 CARY, NC 27518
 P: 919.851.1912 www.NV5.com
 NC License # F-1333

Professional Engineer Seal for L. Kevin Austin, State of North Carolina, License # 78702-0008, dated 4/24/2022.

DRAWN BY : W. B. ALLEN DATE : 5/21
 CHECKED BY : G. F. WILSON DATE : 2/22
 DESIGN ENGINEER OF RECORD: L. K. AUSTIN DATE : 2/22

4/22/2022 5:24:19 PM G:\Project\2019\2019\7\03\CLIENT\Structures\I-5987B (Big Marsh Swamp)\I5987B.SMU.PCL 770536.dgn