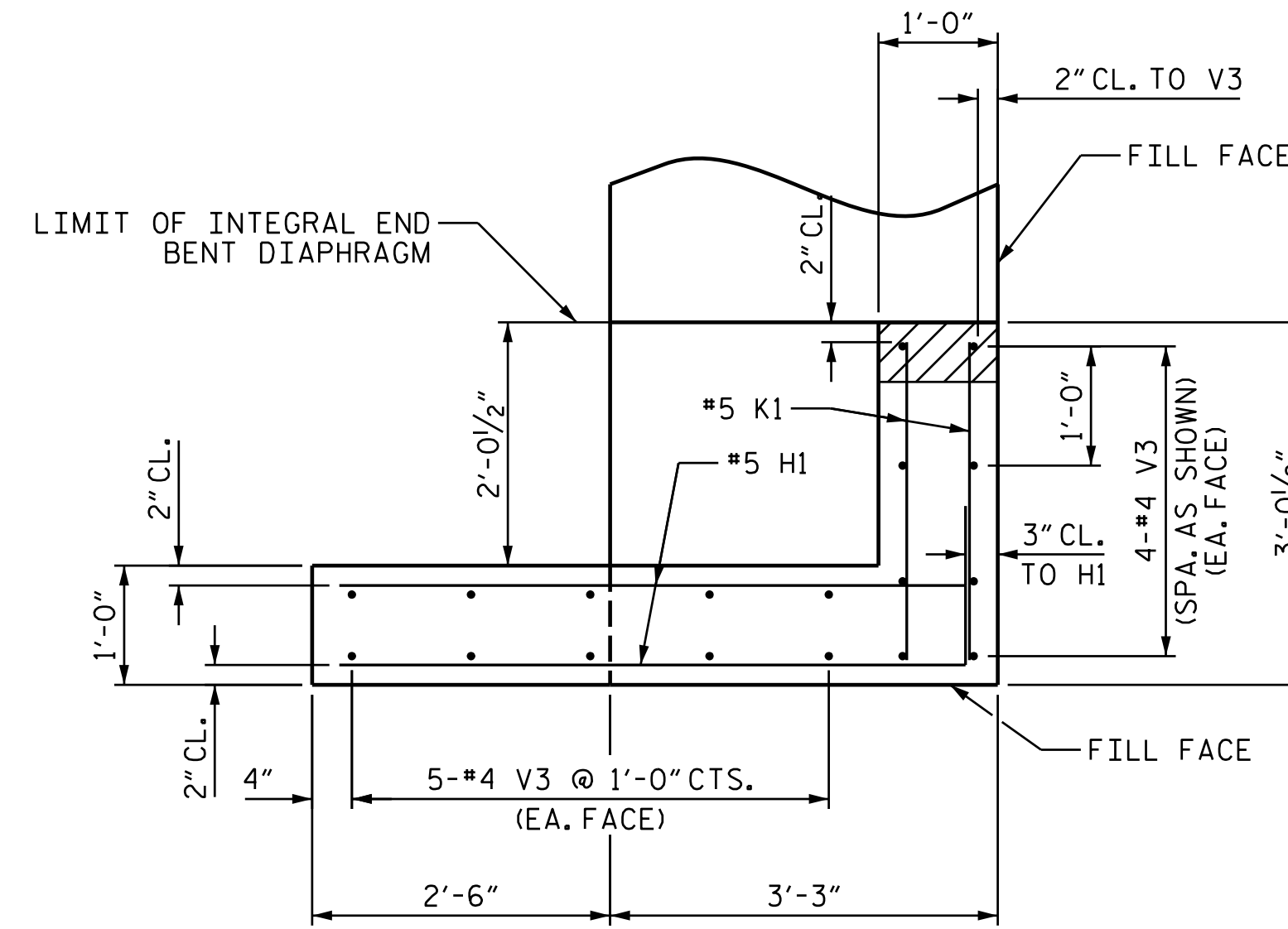


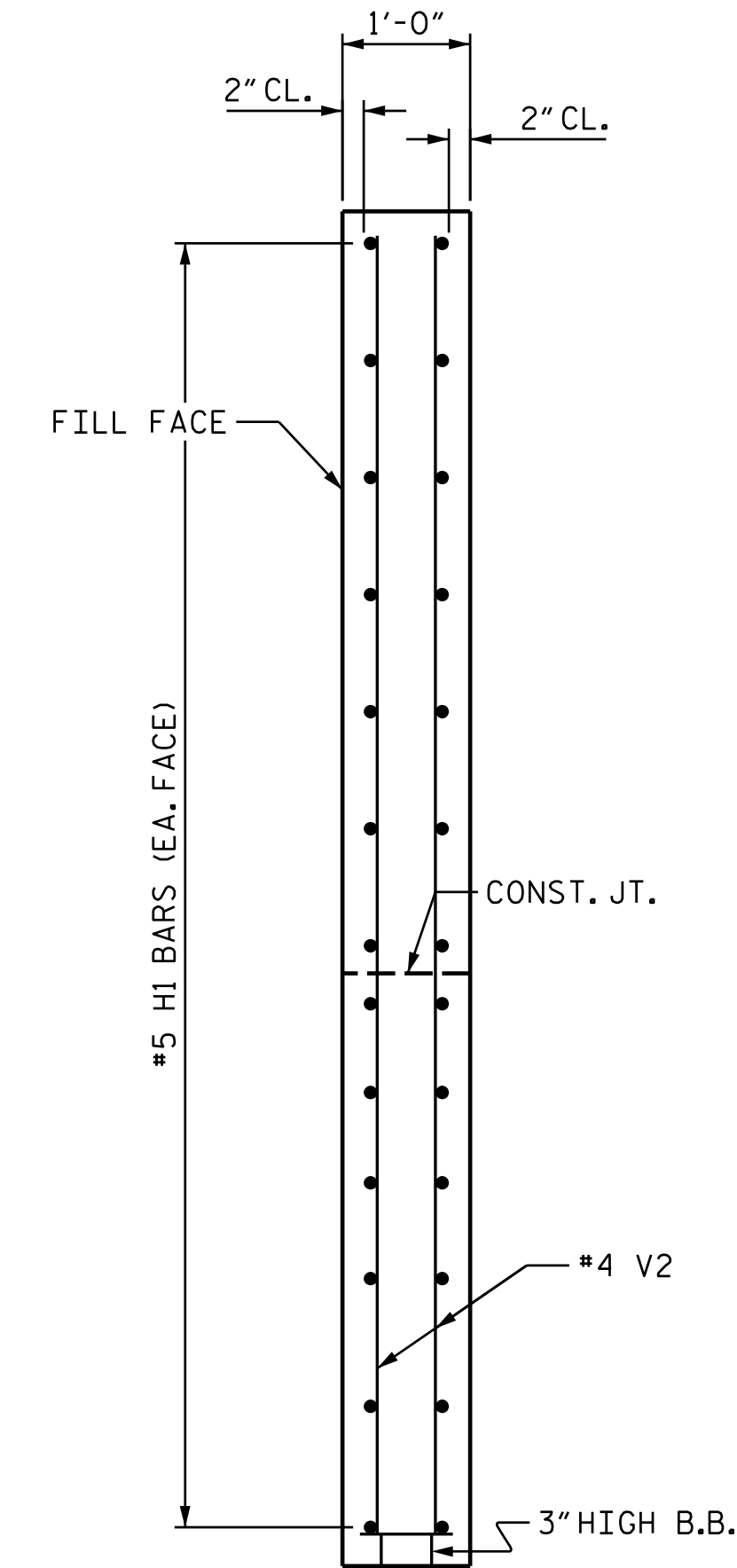
PLAN OF WING W3

SEE NOTES ON SHEET 1 OF 3

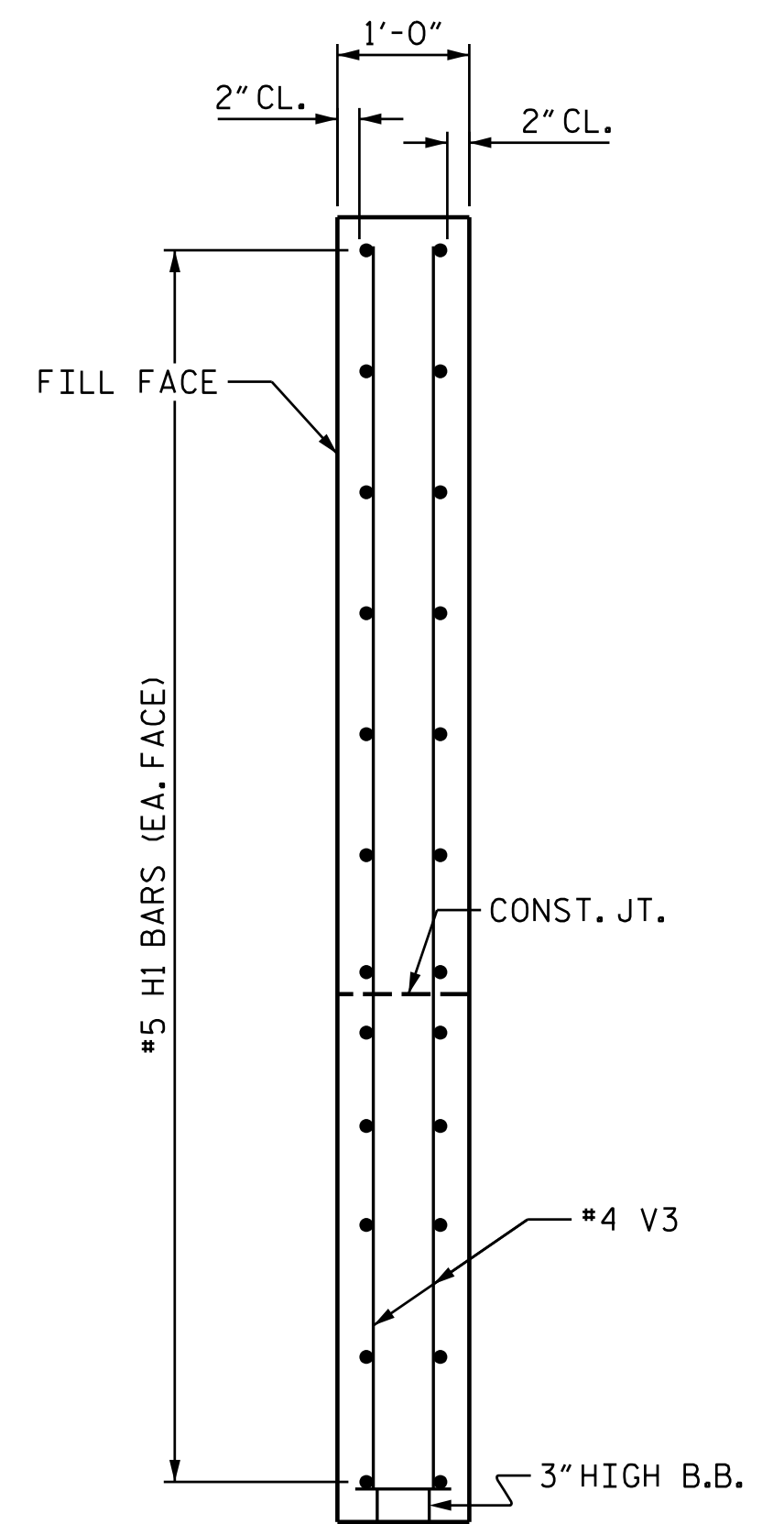


PLAN OF WING W4

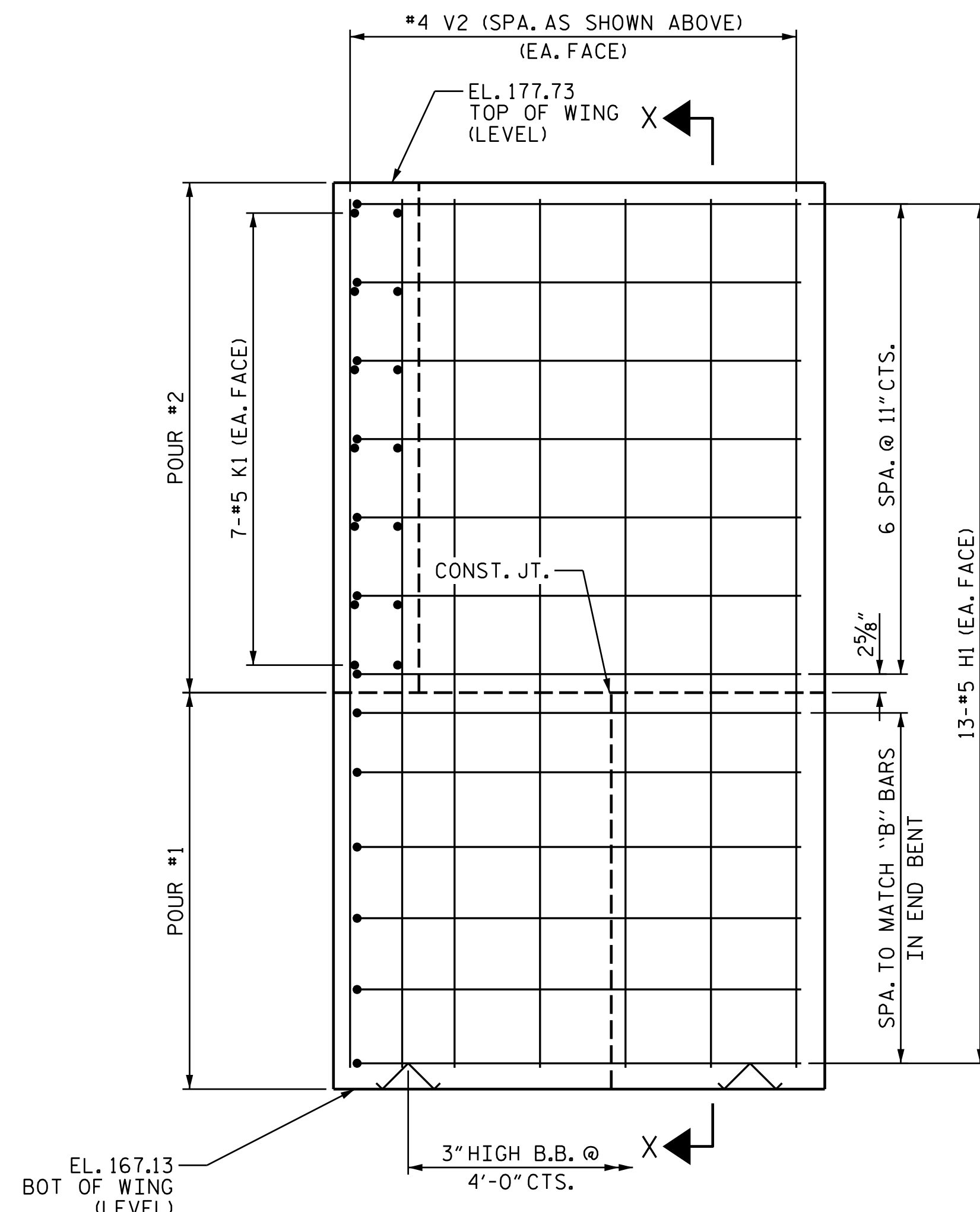
SEE NOTES ON SHEET 1 OF 3



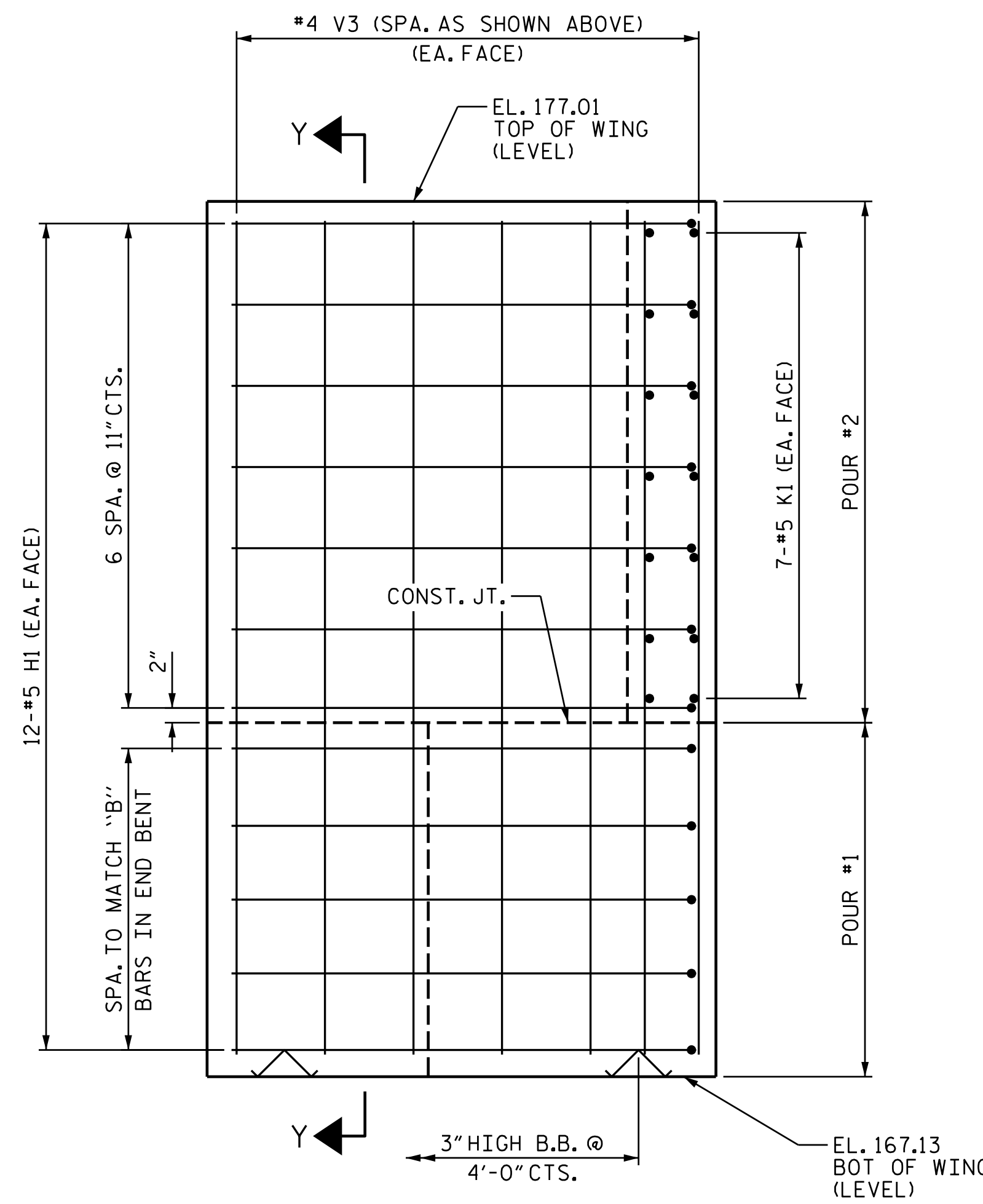
SECTION X-X



SECTION Y-Y



ELEVATION OF WING W3



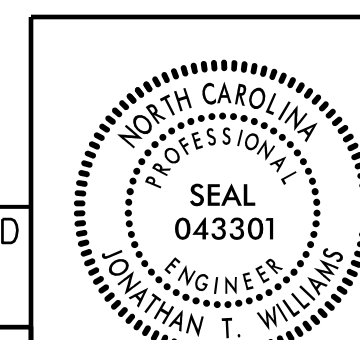
ELEVATION OF WING W4

PROJECT NO. I-5987B
ROBESON COUNTY
 STATION: 24+76.86 -Y4-

SHEET 2 OF 3

STATE OF NORTH CAROLINA
 DEPARTMENT OF TRANSPORTATION
 RALEIGH

SUBSTRUCTURE
 END BENT 2



DOCUMENT NOT CONSIDERED
 FINAL UNLESS ALL
 SIGNATURES COMPLETED

PLANS PREPARED BY:
 MOTT MACDONALD
 PO Box 700
 Fuquay-Varina, NC 27526
 (919) 552-2233
 www.mottmac.com
 LICENSE NO. F-0669

DocuSigned by:
 Jonathan T. Williams
 CF8834885D82440

REVISIONS						SHEET NO.
NO.	BY:	DATE:	NO.	BY:	DATE:	S4-25
1			3			TOTAL SHEETS
2			4			29

#157077
 11/15/2021 9:11 AM
 I:\5987B\I-5987B\Structures\Plans\I-5987B-SMU-E2-770154.dgn
 10/25/2021 10:52:53 AM

DRAWN BY: R. L. DICKE DATE: 8-2021
 CHECKED BY: J. M. ROBINSON DATE: 8-2021
 DESIGN ENGINEER OF RECORD: J. T. WILLIAMS DATE: 8-2021