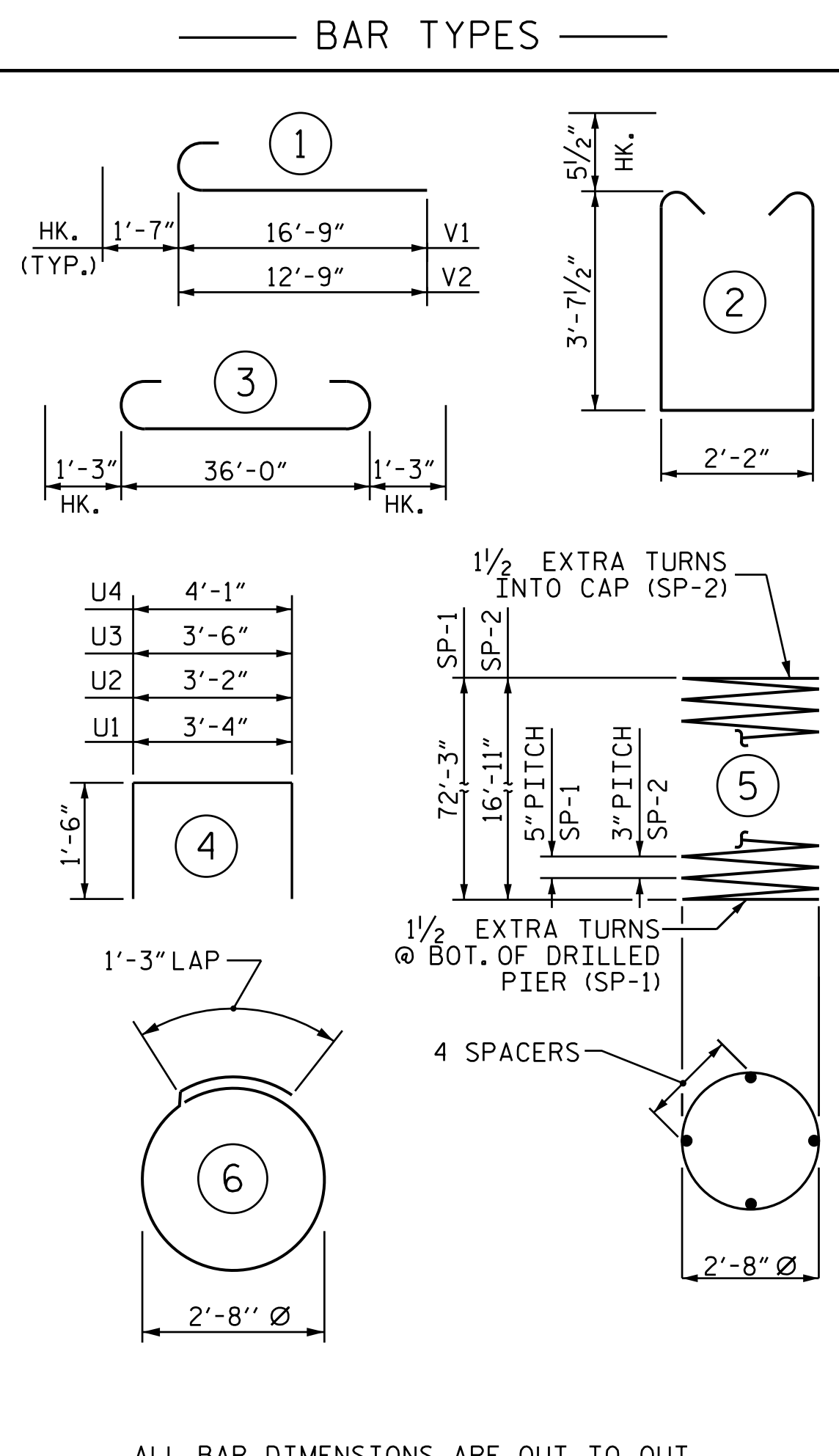


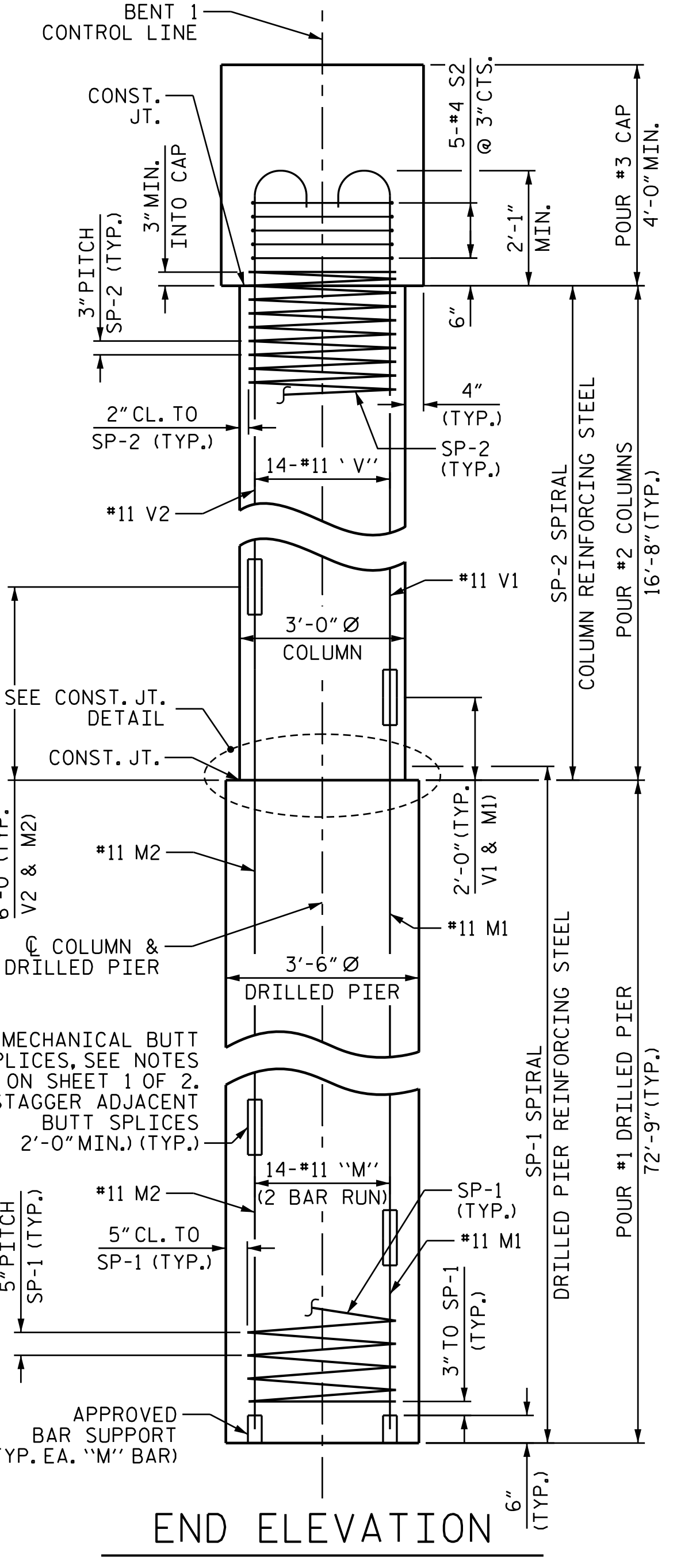
PLAN OF DRILLED SHAFTS & COLUMNS



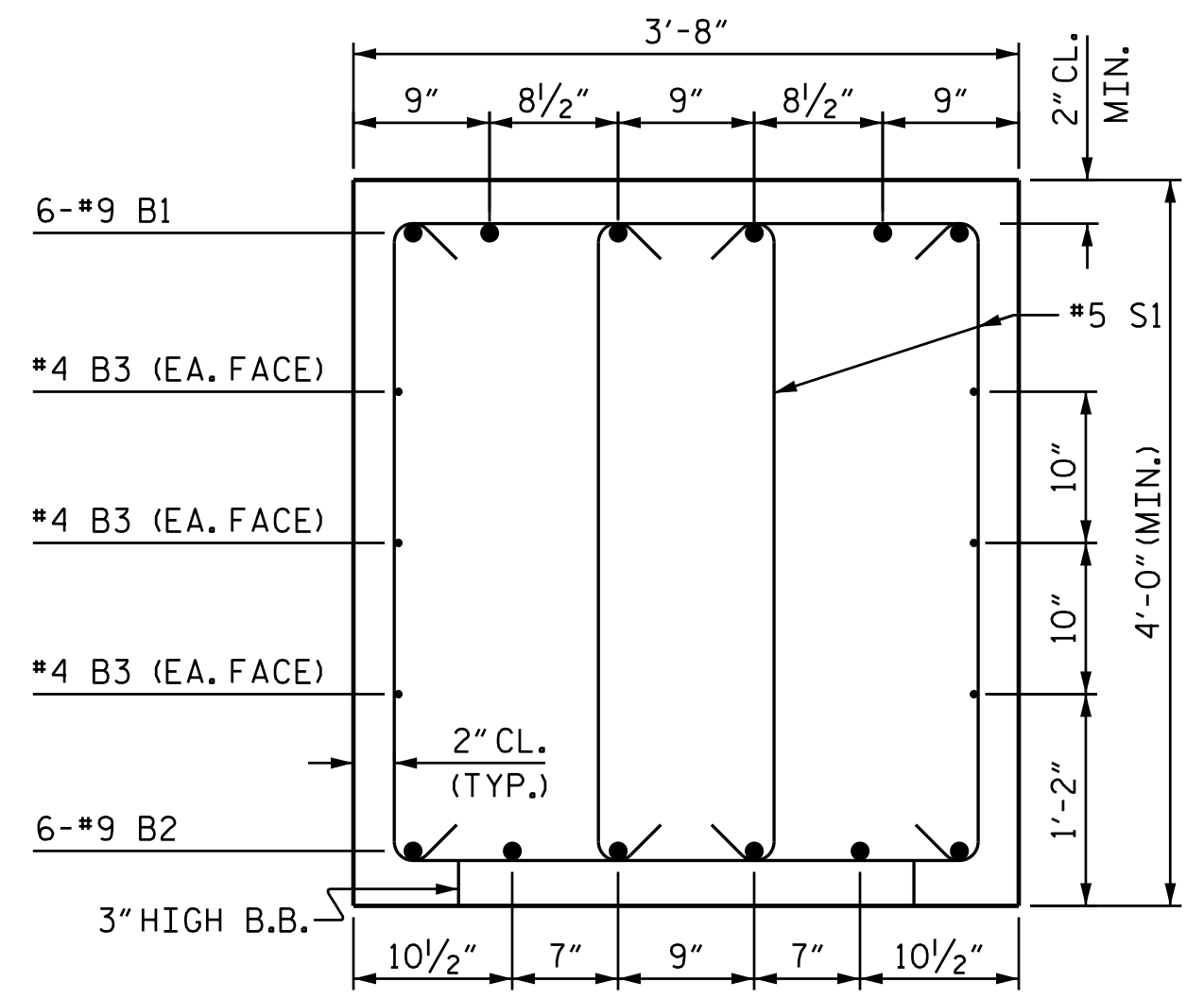
ALL BAR DIMENSIONS ARE OUT TO OUT

BILL OF MATERIAL

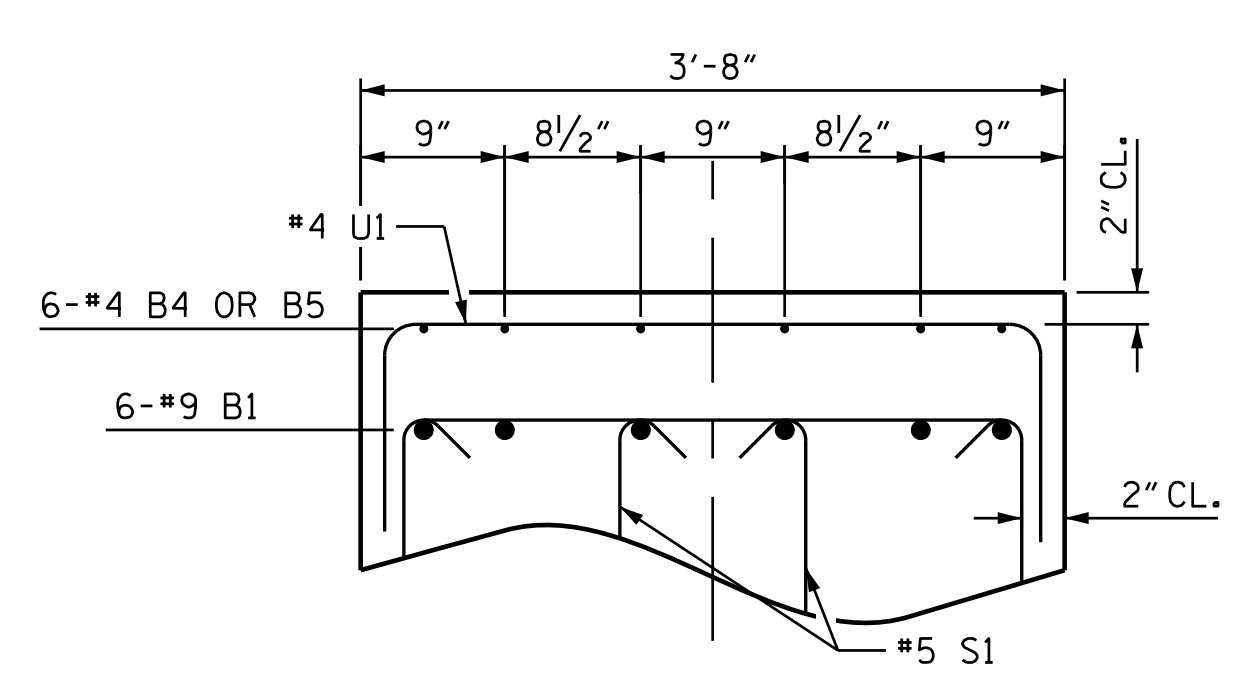
BENT 1					
BAR	NO.	SIZE	TYPE	LENGTH	WEIGHT
B1	6	#9	3	38'-6"	785
B2	6	#9	STR	36'-2"	738
B3	6	#4	STR	36'-2"	145
B4	12	#4	STR	12'-6"	100
B5	6	#4	STR	3'-9"	15
M1	42	#11	STR	37'-3"	8312
M2	42	#11	STR	39'-3"	8758
S1	88	#5	2	10'-4"	948
S2	15	#4	6	9'-8"	97
U1	38	#4	4	6'-4"	161
U2	7	#4	4	6'-2"	29
U3	3	#4	4	6'-6"	13
U4	3	#4	4	7'-1"	14
V1	21	#11	1	18'-4"	2046
V2	21	#11	1	14'-4"	1599
REINFORCING STEEL				=	23,760 LBS
SP-1	3	*	5	1439'-4"	4504
SP-2	3	*	5	569'-1"	1781
SPIRAL COLUMN REINFORCING STEEL				=	6,285 LBS
* THE SP-1 & SP-2 SPIRAL REINFORCING STEEL SHALL BE W31 OR D-31 COLD DRAWN WIRE OR #5 PLAIN OR DEFORMED BAR.					
CLASS A CONCRETE BREAKDOWN: (FOR BENT 1)					
POUR #2 (COLUMNS)					13.1 C.Y.
POUR #3 (CAPS)					21.1 C.Y.
TOTAL CLASS A CONCRETE					34.2 C.Y.
DRILLED PIERS: (FOR BENT 1)					
DRILLED PIER CONCRETE POUR #1 (DRILLED PIERS)					77.8 C.Y.



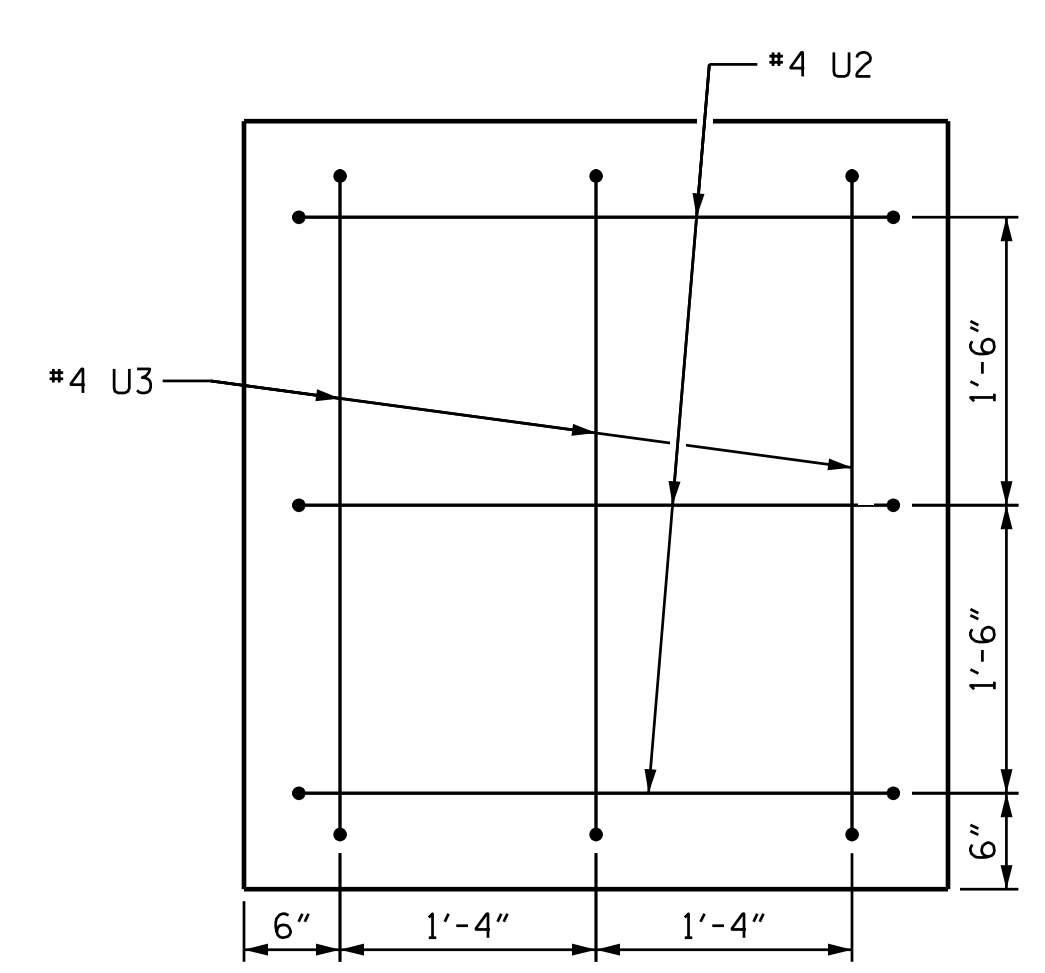
END ELEVATION



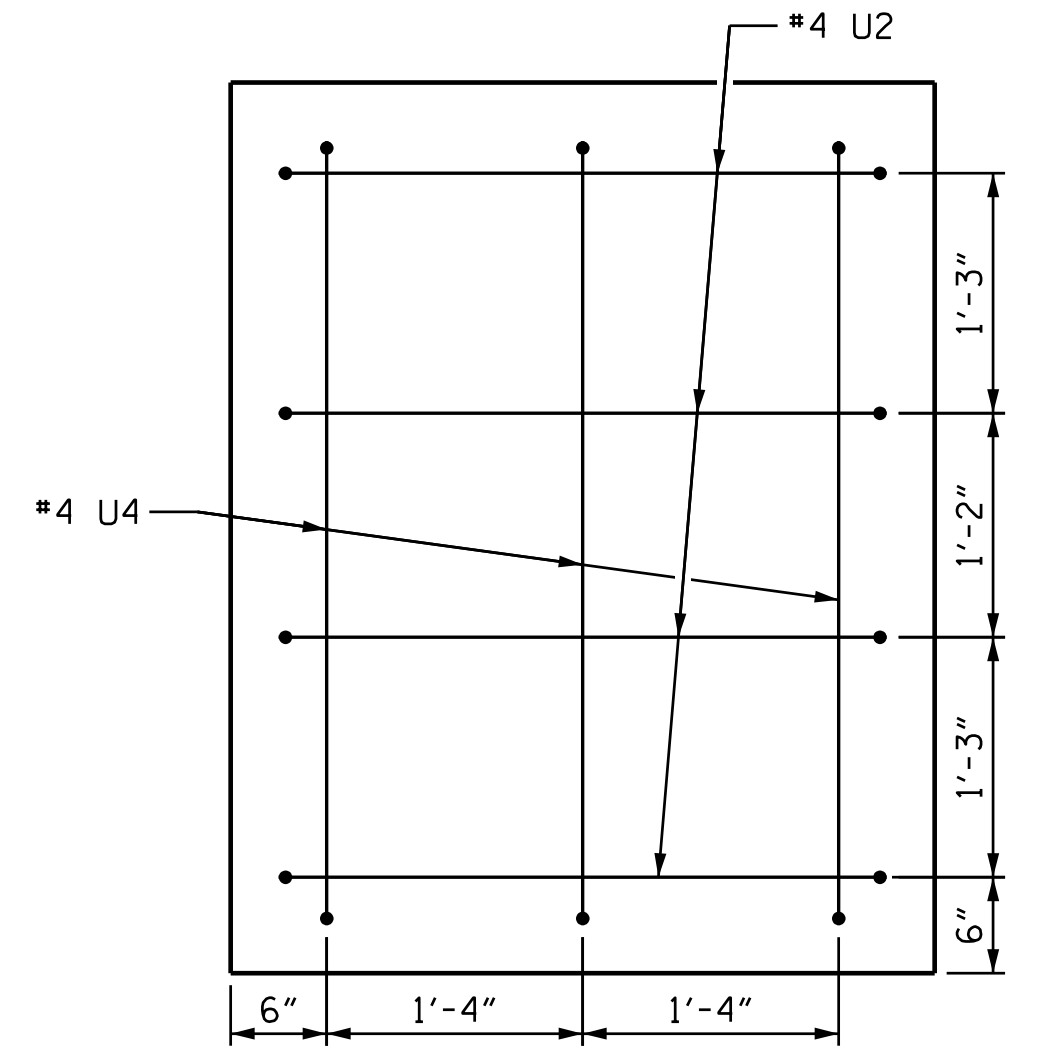
SECTION A-A



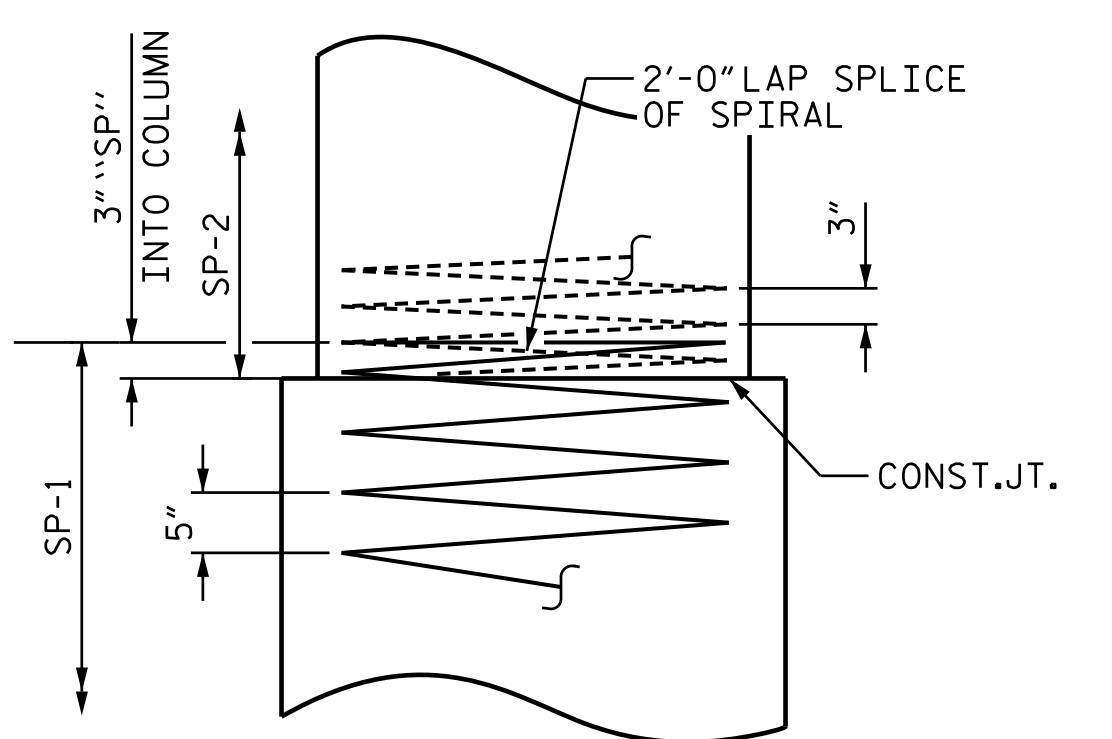
SECTION B-B



VIEW X-X



VIEW Y-Y



CONSTRUCTION JT. DETAIL

PROJECT NO. I-5987B  
ROBESON COUNTY  
STATION: 24+76.86 -Y4-

SHEET 2 OF 2

STATE OF NORTH CAROLINA  
DEPARTMENT OF TRANSPORTATION  
RALEIGH  
SUBSTRUCTURE  
BENT 1 DETAILS

DOCUMENT NOT CONSIDERED FINAL UNLESS ALL SIGNATURES COMPLETED

PLANS PREPARED BY: MOTT MACDONALD  
PO Box 700 Fuquay Varina, NC 27526  
919 552-2253 www.mottmac.com  
LIC. NO. F-0669



REVISIONS					
NO.	BY:	DATE:	NO.	BY:	DATE:
1			3		
2			4		

SHEET NO. S4-23  
TOTAL SHEETS 29

157077 11/21/2021 11:55:11 NV5-I-5987B-I-5987B-Structures\Plans\I-5987B-SMU-B1-770154.dgn 4:06:52 PM

DRAWN BY: R. L. DICKE DATE: 11-2021  
CHECKED BY: J. M. ROBINSON DATE: 11-2021  
DESIGN ENGINEER OF RECORD: J. T. WILLIAMS DATE: 11-2021